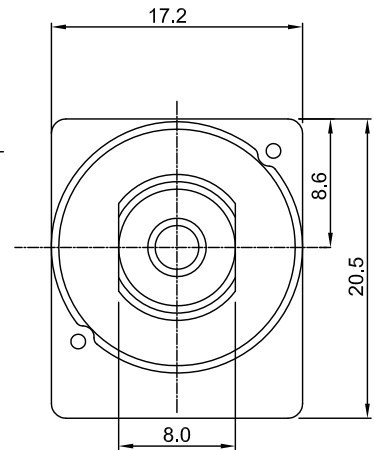
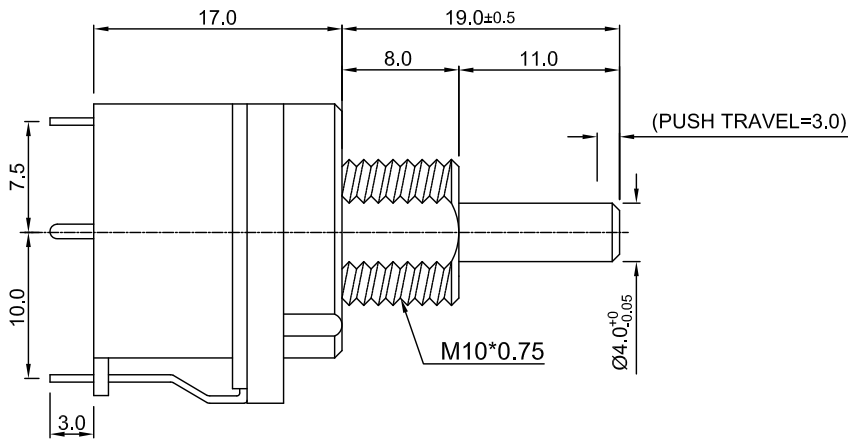
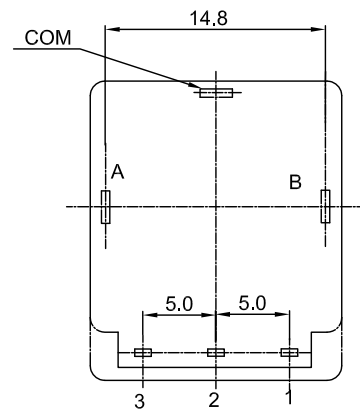
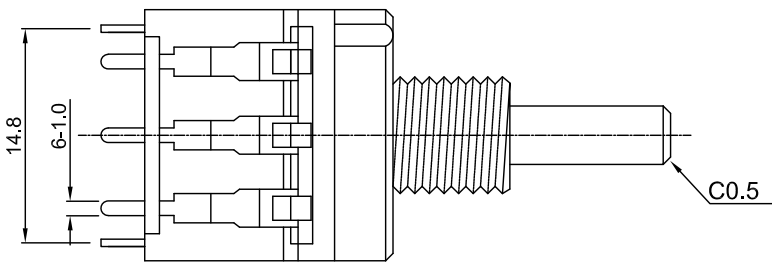


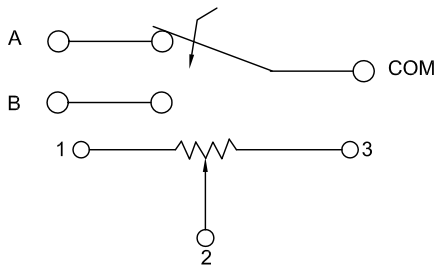
外形图 Mechanical Dimensions



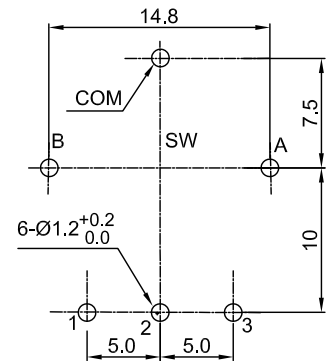
Shaft shown in full C.C.W. position



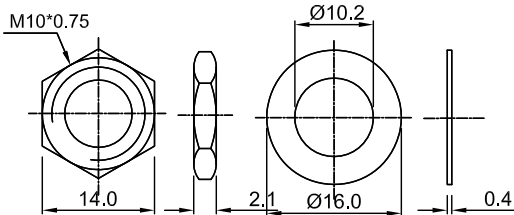
接线图
Circuit explanation



安装孔位置图
P.C.B. mounting hole detail



Attached parts: nut & washer



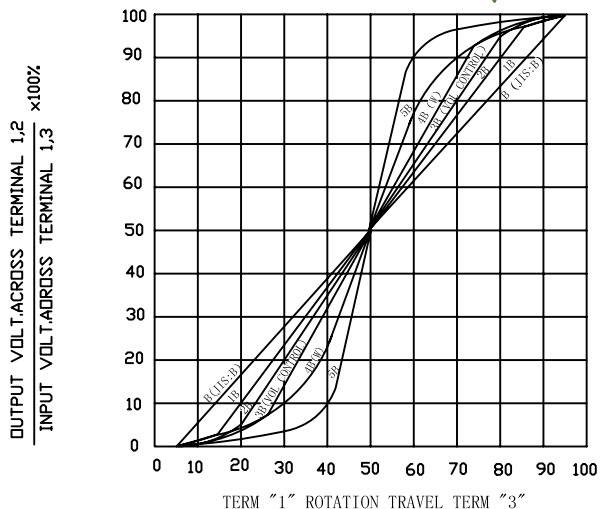
3				PRODUCT NAME	Switch Rotary Potentiometer		
2				MODEL NAME	R16P2S-AD1-value		
1				APPROVED BY	CHECKED BY	DRAWN BY	
NO	DATE	DESCRIPTION					
	DIMENSION	TOLERANCE	SCALE				
	$\int \leq 10$	± 0.2	UNIT	<div style="border: 1px solid black; border-radius: 50%; padding: 5px; width: 40px; margin: 0 auto;"> R & D 2014/3/6 Eva </div>	<div style="border: 1px solid black; border-radius: 50%; padding: 5px; width: 40px; margin: 0 auto;"> R & D 2014/3/6 Sophie </div>	<div style="border: 1px solid black; border-radius: 50%; padding: 5px; width: 40px; margin: 0 auto;"> R & D 2014/3/6 Ball </div>	
	$10 < \int \leq 30$	± 0.5	VER.				A0
	$30 < \int \leq 100$	± 1.0	DATE				2014/3/6
	All Angles	$\pm 5^\circ$					

16 mm Rotary Potentiometers with SW series Specifications

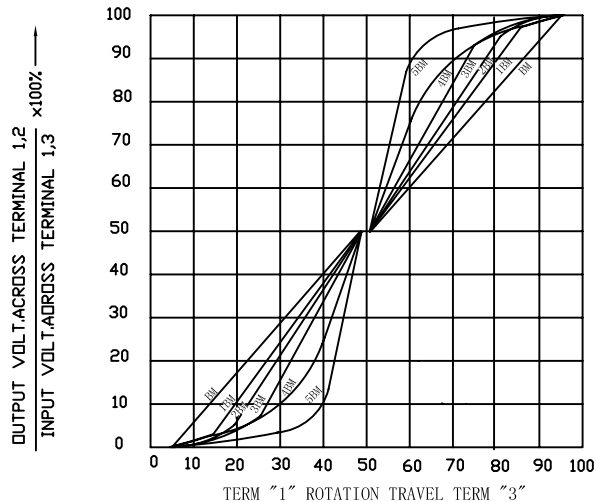
1.電氣性能 (Electrical Characteristics)					
1.1	全阻抗值 (Total Resistance)	1K~ 2MΩ			
1.2	全阻抗值允許偏差 (Total Resistance Tolerance)	±20% (More than 1 M Ω ±30%)			
1.3	電阻隨溫度變化特性 (Resistance of temperature change character)	20℃-75℃:ΔR/R≤±5%, -25℃-20℃:ΔR/R≤±4.5%			
1.4	阻值變化特性 (Resistance Taper)	A, B			
1.5	零位阻值 (Residual Resistance)	R>250KΩ / 0.1 % max. of total Value 250KΩ>R>10KΩ / 20Ω max. 10KΩ>R / 10Ω max.			
1.6	額定功率 (Rated Power)	Linear Taper B: 0.5W Other Taper:0.2W			
1.7	最高使用電壓 (Max.Operating Voltage)	250VAC			
1.8	動雜音 (Rotational Noise)	Less Than 100mV			
1.9	絕緣阻抗 (Insulation Resistance)	More than 100MΩ at DC 250V			
1.10	耐電壓 (Withstand Voltage)	For 1 minute at: DC 500V			
1.11	開關額定功率(Switch Rated Power)	250VAC , 10A			
2.機械性能 (Mechanical Characteristics)					
2.1	全回轉角度 (Rotation Angle)	270°±5°			
2.2	旋轉力矩 (Rotation Torque)	10~100gf.cm			
2.3	軸的拉、押強度 (Pull-Push Strength)	3Kgf.cm			
2.4	轉動止檔強度 (Rotational Stop-End Torque)	1.5 kgf.cm Min			
2.5	開關角度(Switch Working Angel)	-----			
2.6	開關力矩(Switch Working Torque)	50~100gf.cm			
2.7	旋轉定位數目 (Number of Detents(click))	0 or 16 detent			
2.8	焊錫耐熱性 (Resistance To Soldering Heat)	260±5℃ and less than 3 seconds			
3.耐久性能 (Durability)					
3.1	回轉壽命 (Rotation Life)	15,000 Cycles min.			
3.2	工作溫度 (Operating temperature)	-10℃~+70℃			
4.1	外形尺寸圖/曲線特性圖 (Shape size drawing/curve characteristic drawing)	見附頁 Please refer the drawing			
批 准		審 核		設 計	

RESISTANCE TAPER

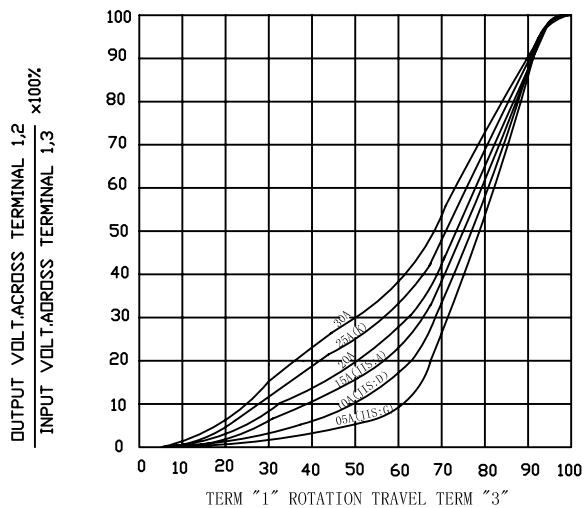
TAPER B SERIES ✓



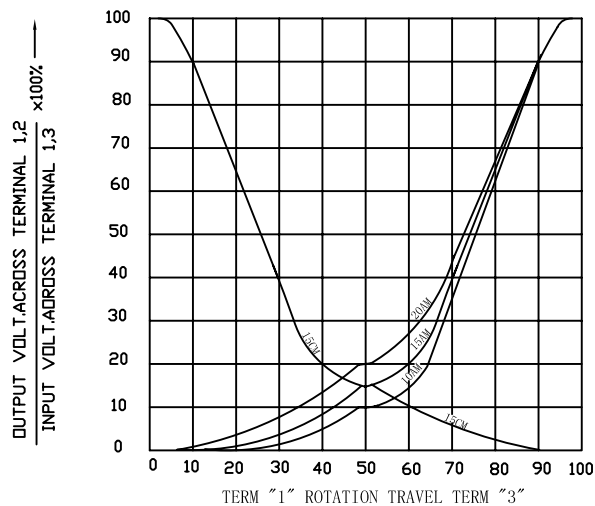
TAPER B WITH 50% TAP



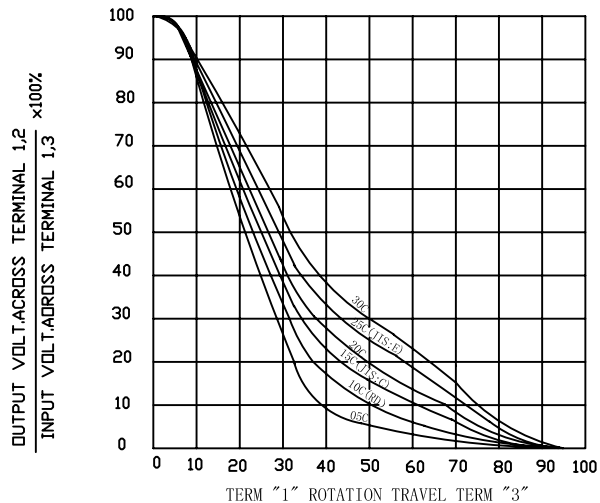
TAPER A SERIES



TAPER A & C WITH 50% TAP



TAPER C SERIES



TAPER M & N SERIES

