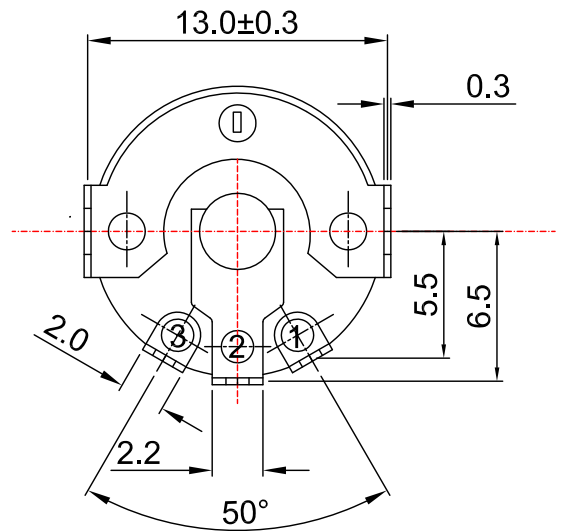
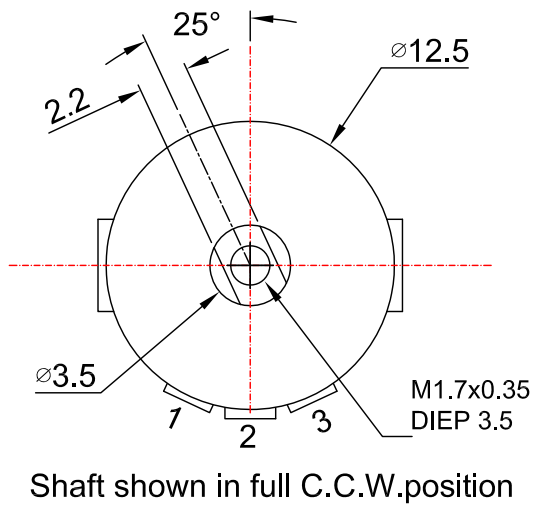
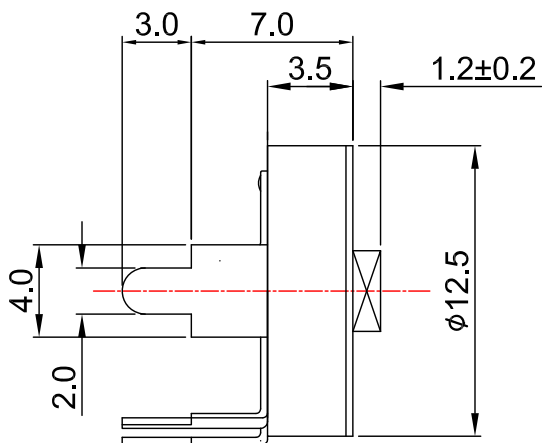
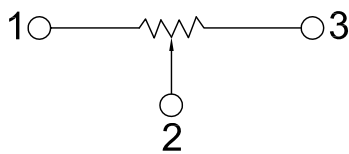


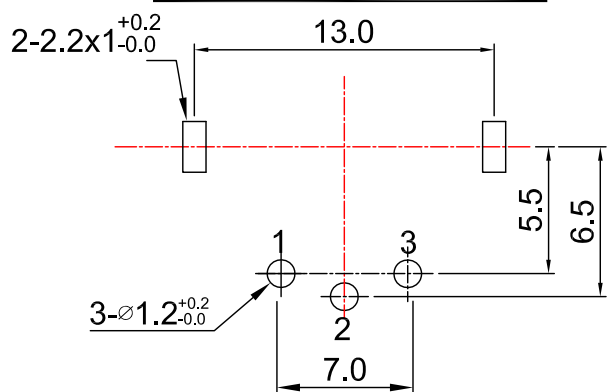
外形图 Mechanical Dimensions






接线图
Circuit explanation



安装孔位置图
P.C.B. mounting hole detail



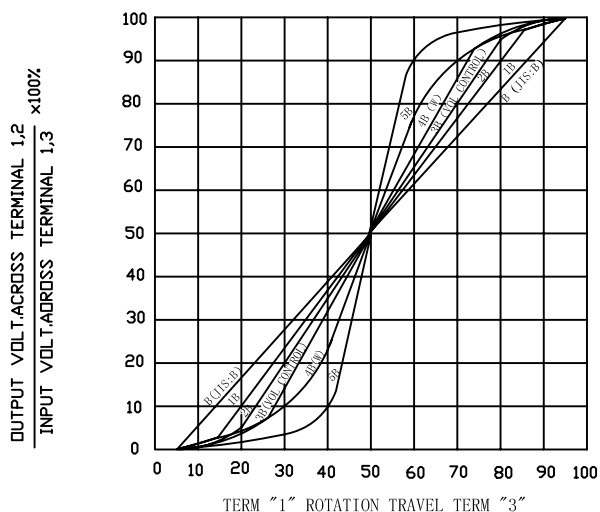
3				PRODUCT NAME	Rotary Potentiometer		
2				MODEL NAME	R127N-1.2D1-Value		
1				APPROVED BY	CHECKED BY	DRAWN BY	
NO	DATE	DESCRIPTION					
		DIMENSION	TOLERANCE	SCALE			
		$\int \leq 10$	± 0.2	UNIT			mm
		$10 < \int \leq 30$	± 0.5	VER.			A0
		$30 < \int \leq 100$	± 1.0	DATE			2014-12-4
		All Angles	$\pm 5^\circ$				
							

12 mm Rotary Series Potentiometers Specifications

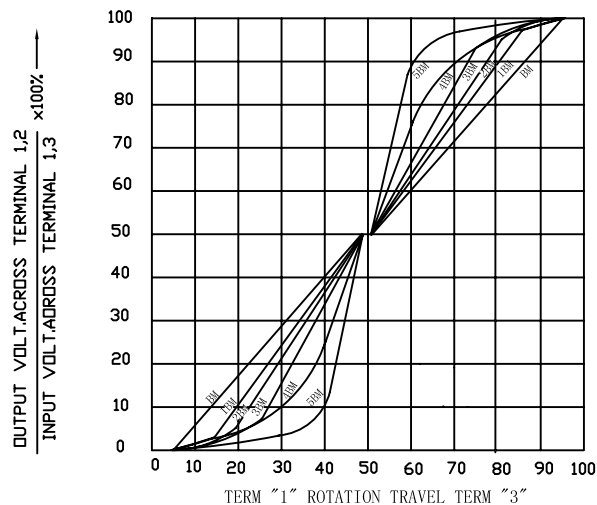
1. 電氣性能 (Electrical Characteristics)	
1.1	全阻抗值 (Total Resistance) 1KΩ ~ 2MΩ
1.2	全阻抗值允許偏差 (Total Resistance Tolerance) ±20% (More than 1 M Ω ±30%)
1.3	電阻隨溫度變化特性 Resistance of temperature change character) 20℃-75℃:ΔR/R≤±5%, -25℃-20℃:ΔR/R≤±4.5%
1.4	阻值變化特性 (Resistance Taper) A, B, C, W
1.5	零位阻值 (Residual Resistance) R>250KΩ / 0.1 % max. of total Value 250KΩ>R>10KΩ / 20Ω max. 10KΩ>R / 10Ω max.
1.6	額定功率 (Rated Power) Linear Taper B: 0.02W Other Taper:0.01W
1.7	最高使用電壓 (Max.Operating Voltage) 150V AC
1.8	動雜音 (Rotational Noise) Less Than 100mV
1.9	絕緣阻抗 (Insulation Resistance) More than 50MΩ at DC 500V
1.10	耐電壓 (Withstand Voltage) For 1 minute at: AC 200V
1.11	開關額定功率(Switch Rated Power) -----
1.12	同步誤差 (Gang Error) -----
2. 機械性能 (Mechanical Characteristics)	
2.1	全回轉角度 (Rotation Angle) 230°±10°
2.2	旋轉力矩 (Rotation Torque) 20~100gf.cm
2.3	軸的拉、押強度 (Pull-Push Strength) 1 Kgf.cm
2.4	轉動止檔強度 (Rotational Stop-End Torque) 2 kgf.cm Min
2.5	開關角度(Switch Working Angel) -----
2.6	開關力矩(Switch Working Torque) -----
2.7	旋轉定位數目 (Number of Detents(click) no detent
2.8	焊錫耐熱性 (Resistance To Soldering Heat) 260±5℃ and less than 3 seconds
3. 耐久性能 (Durability)	
3.1	回轉壽命 (Rotation Life) 10,000 Cycles min.
3.2	工作溫度 (Operating temperature) -10℃~+70℃
4.1	外形尺寸圖/曲線特性圖 (Shape size drawing/curve characteristic drawing) 見附頁 Please refer the drawing
批准	  

RESISTANCE TAPER

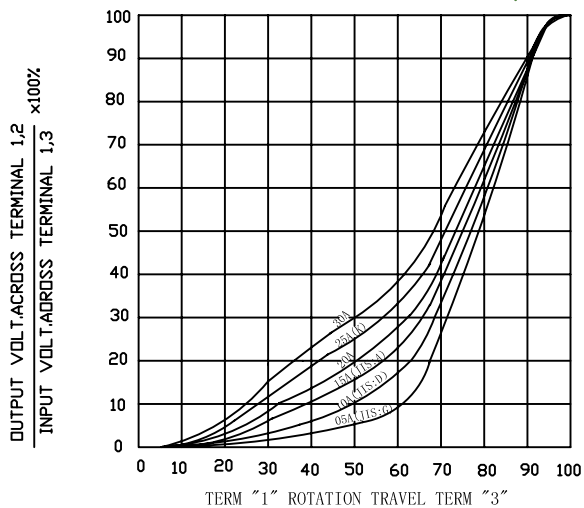
TAPER B SERIES



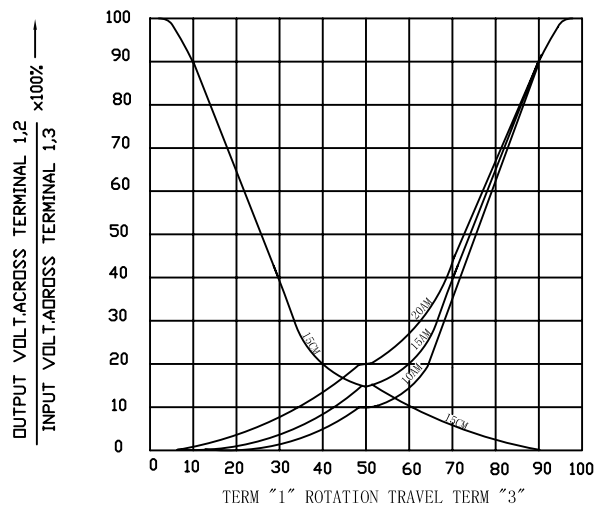
TAPER B WITH 50% TAP



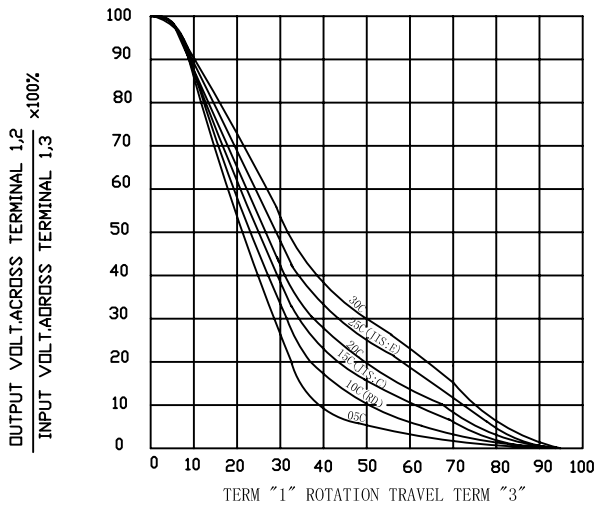
TAPER A SERIES



TAPER A & C WITH 50% TAP



TAPER C SERIES



TAPER M & N SERIES

