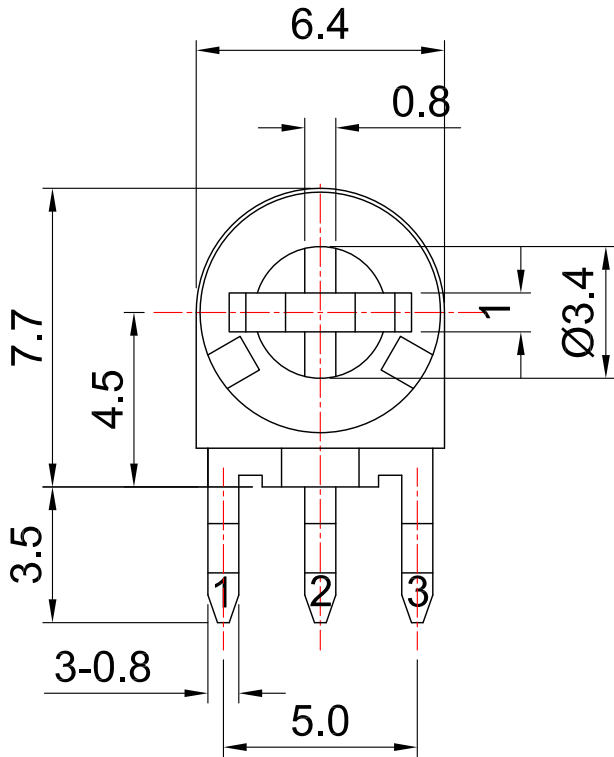
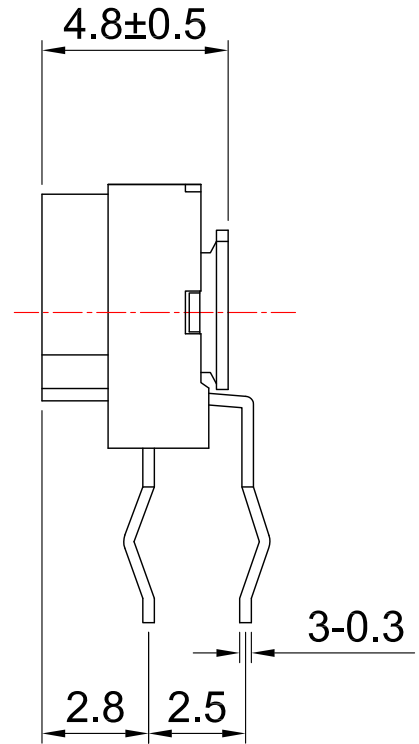
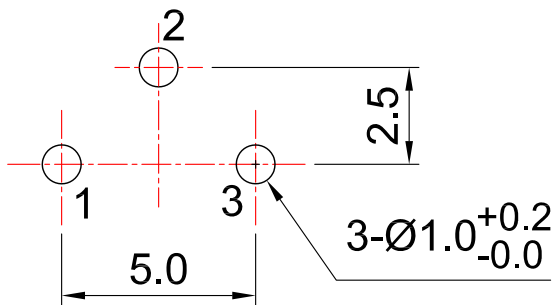


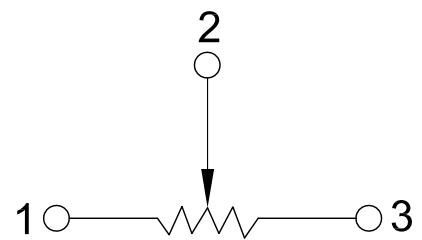
# 外形图 Mechanical Dimensions



安装孔位置图  
Mounting Hole









接线图  
Circuit explanation



3				PRODUCT NAME	Semi-Fixed Potentiometer	
2				MODEL NAME	SM063-value-V05	
1				APPROVED BY	CHECKED BY	DRAWN BY
NO	DATE	DESCRIPTION				
		DIMENSION	TOLERANCE	SCALE		
		$f \leq 10$	$\pm 0.2$	UNIT	mm	
		$10 < f \leq 30$	$\pm 0.5$	VER.	A0	
		$30 < f \leq 100$	$\pm 1.0$	DATE	2014-8-27	
		All Angles	$\pm 5^\circ$			
				<div style="border: 1px solid black; border-radius: 50%; padding: 5px; width: 60px; margin: 0 auto;"> <div style="text-align: center; color: red; font-weight: bold;">R &amp; D</div> <div style="text-align: center;">2014/8/27</div> <div style="text-align: center;">Eva</div> </div>	<div style="border: 1px solid black; border-radius: 50%; padding: 5px; width: 60px; margin: 0 auto;"> <div style="text-align: center; color: red; font-weight: bold;">R &amp; D</div> <div style="text-align: center;">2014/8/27</div> <div style="text-align: center;">Sophie</div> </div>	<div style="border: 1px solid black; border-radius: 50%; padding: 5px; width: 60px; margin: 0 auto;"> <div style="text-align: center; color: red; font-weight: bold;">R &amp; D</div> <div style="text-align: center;">2014/8/27</div> <div style="text-align: center;">Dick</div> </div>

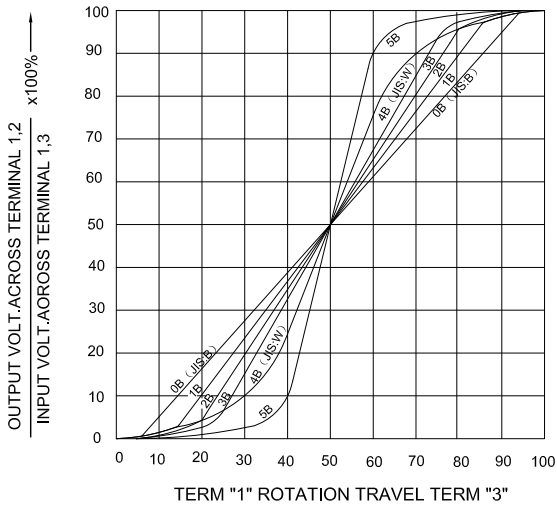
# Semi-fix Potentiometers Series Specifications

1. 電氣性能 (Electrical Characteristics)						
1.1	全阻抗值 (Total Resistance) <b>500Ω ~ 2MΩ</b>					
1.2	全阻抗值允許偏差 (Total Resistance Tolerance) ±20% ( More than 1 M Ω ±30%)					
1.3	電阻隨溫度變化特性 Resistance of temperature change character) 20°C-75°C:ΔR/R≤±5%, -25°C-20°C:ΔR/R≤±4.5%					
1.4	阻值變化特性 (Resistance Taper) B					
1.5	零位阻值 (Residual Resistance) R≥250KΩ / 0.1 % max. of total Value 250KΩ>R>10KΩ / 20Ω max. 10KΩ≥R / 10Ω max.					
1.6	額定功率 (Rated Power) 0.1 W at 50°C					
1.7	最高使用電壓 (Max.Operating Voltage) 50V AC					
1.10	耐電壓 (Withstand Voltage) For 1 minute at: AC 50V					
1.8	耐溫特性 (Temperature Characteristic) -10°C~70°C:ΔR/R≤±8%					
1.9	潮濕環境下負載性能 (Load Life In Humidity) 20%Max 350 hours rated in 90%RH 40°C					
2. 機械性能 (Mechanical Characteristics)						
2.1	全回轉角度 (Rotation Angle) 210°±10°					
2.2	旋轉力矩 (Rotation Torque) 50~250gf.cm					
2.4	轉動止檔強度 (Rotational Stop-End Torque) 0.3 kgf.cm Max.					
2.8	焊錫耐熱性 (Resistance To Soldering Heat) <u>230±5</u> °C and less than <u>3</u> seconds					
3. 耐久性能 (Durability)						
3.1	回轉壽命 (Rotation Life) 50 Cycles min.					
3.2	工作溫度 (Operating temperature) -25°C~+85°C					
4.1	外形尺寸圖/曲線特性圖 (Shape size drawing/curve characteristic drawing) 見附頁 Please refer the drawing					
批准	<table border="0" style="width: 100%; text-align: center;"> <tr> <td style="width: 25%;"></td> <td style="width: 10%;">審核</td> <td style="width: 25%;"></td> <td style="width: 10%;">設計</td> <td style="width: 25%;"></td> </tr> </table>		審核		設計	
	審核		設計			

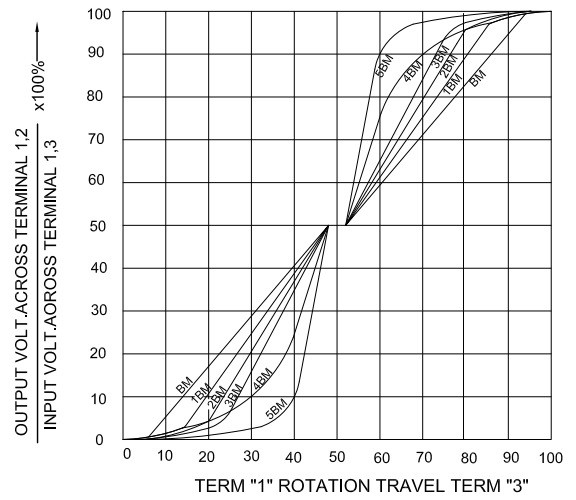
# RESISTANCE TAPER



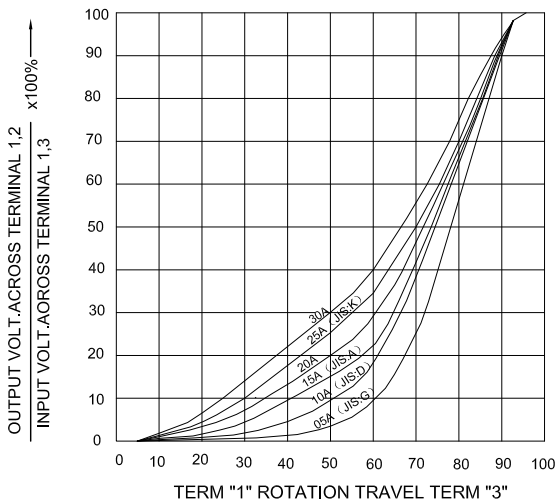
### TAPER B SERIES



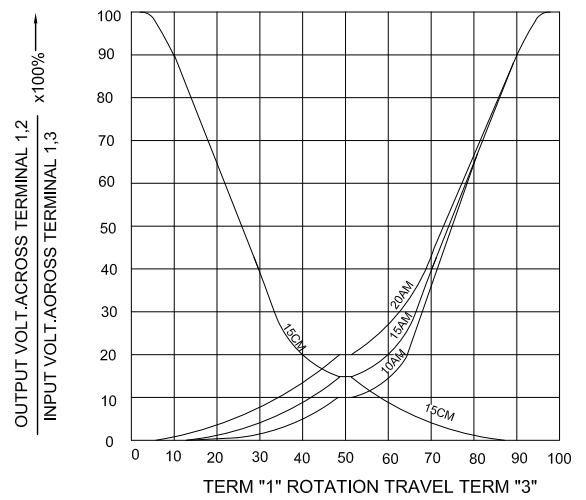
### TAPER B WITH 50% TAP



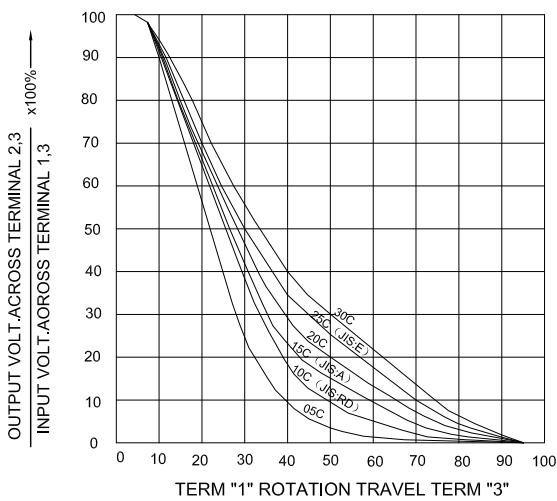
### TAPER A SERIES



### TAPER A & C WITH 50% TAP



### TAPER C SERIES



### TAPER M & N SERIES

