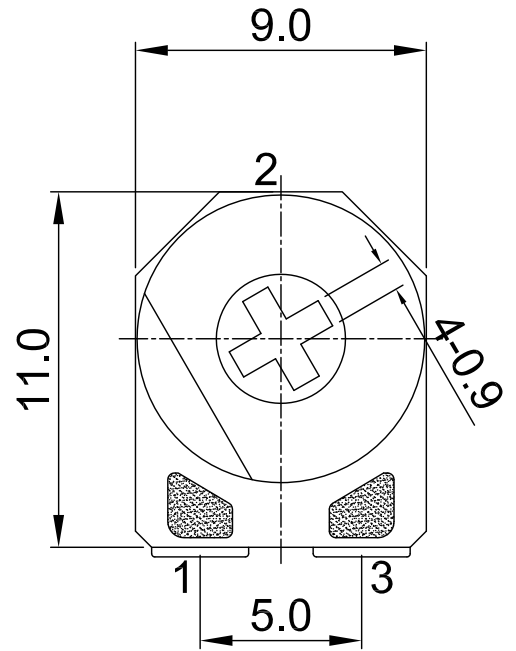
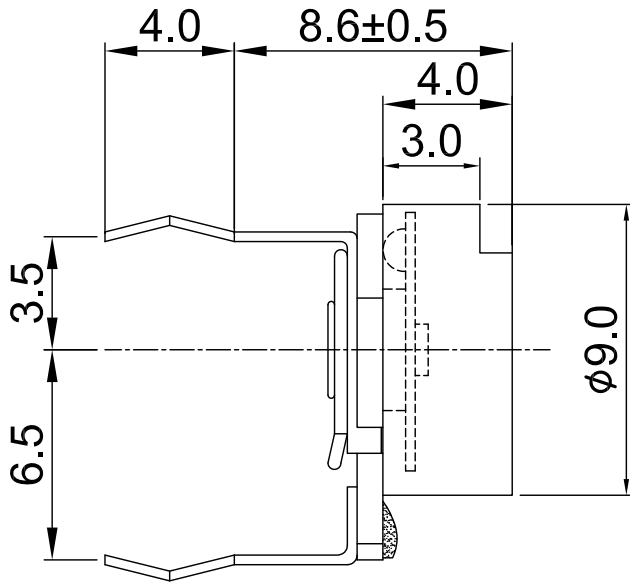
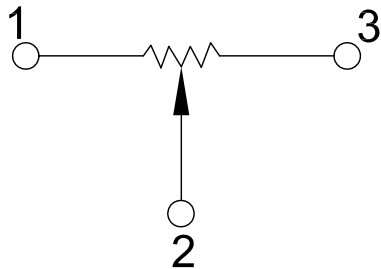


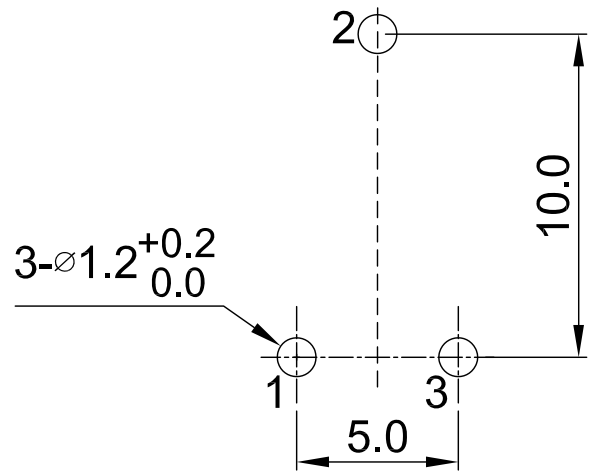
外形图 Mechanical Dimensions



接线图
Circuit explanation



安装孔位置图
P.C.B. mounting hole detail



3				PRODUCT NAME	Semi-Fixed Potentiometer	
2				MODEL NAME	SC085-A-value	
1	NO	DATE	DESCRIPTION	APPROVED BY	CHECKED BY	DRAWN BY
			DIMENSION			
			TOLERANCE			
			SCALE			
			UNIT			
			VER.			
			DATE			
			All Angles			

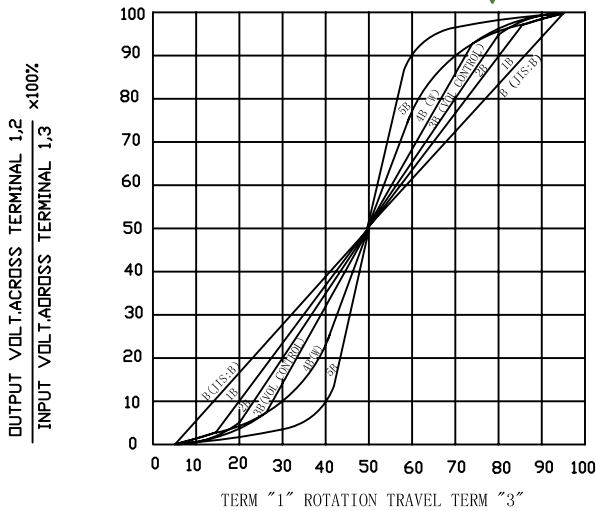
<div style="border: 1px solid black; border-radius: 50%; width: 60px; height: 60px; margin: 0 auto; display: flex; flex-direction: column; justify-content: center; align-items: center;"> R & D 2014-8-27 Eva </div>	<div style="border: 1px solid black; border-radius: 50%; width: 60px; height: 60px; margin: 0 auto; display: flex; flex-direction: column; justify-content: center; align-items: center;"> R & D 2014-8-27 Sophie </div>	<div style="border: 1px solid black; border-radius: 50%; width: 60px; height: 60px; margin: 0 auto; display: flex; flex-direction: column; justify-content: center; align-items: center;"> R & D 2014-8-27 Ball </div>
---	--	--

Semi-fix Potentiometers Series Specifications

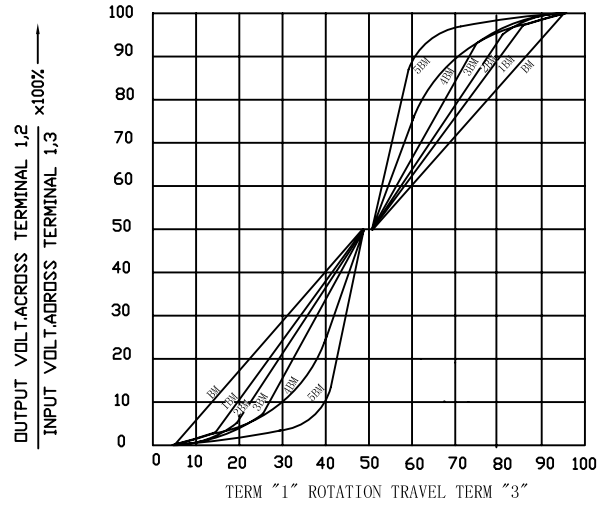
1. 電氣性能 (Electrical Characteristics)					
1.1	全阻抗值 (Total Resistance)	1K Ω ~ 2M Ω			
1.2	全阻抗值允許偏差 (Total Resistance Tolerance)	$\pm 20\%$ (More than 1 M Ω $\pm 30\%$)			
1.3	電阻隨溫度變化特性 Resistance of temperature change character)	20 $^{\circ}$ C-75 $^{\circ}$ C: $\Delta R/R \leq \pm 5\%$, -25 $^{\circ}$ C-20 $^{\circ}$ C: $\Delta R/R \leq \pm 4.5\%$			
1.4	阻值變化特性 (Resistance Taper)	B			
1.5	零位阻值 (Residual Resistance)	R \geq 250K Ω / 0.1 % max. of total Value 250K Ω >R>10K Ω / 20 Ω max. 10K Ω >R / 10 Ω max.			
1.6	額定功率 (Rated Power)	Linear Taper B: 0.5W			
1.7	最高使用電壓 (Max.Operating Voltage)	250V AC			
1.10	耐電壓 (Withstand Voltage)	For 1 minute at: AC 100V			
1.8	耐溫特性 (Temperature Characteristic)	-10 $^{\circ}$ C ~ 70 $^{\circ}$ C: $\Delta R/R \leq \pm 8\%$			
1.9	潮濕環境下負載性能 (Load Life In Humidity)	20%Max 350 hours rated in 90%RH 40 $^{\circ}$ C			
2. 機械性能 (Mechanical Characteristics)					
2.1	全回轉角度 (Rotation Angle)	240 $^{\circ}$ \pm 10 $^{\circ}$			
2.2	旋轉力矩 (Rotation Torque)	40~250gf.cm			
2.4	轉動止檔強度 (Rotational Stop-End Torque)	0.5 kgf.cm Max.			
2.8	焊錫耐熱性 (Resistance To Soldering Heat)	245 \pm 5 $^{\circ}$ C and less than 3 seconds			
3. 耐久性能 (Durability)					
3.1	回轉壽命 (Rotation Life)	100 Cycles min.			
3.2	工作溫度 (Operating temperature)	-40 $^{\circ}$ C ~ +125 $^{\circ}$ C			
4.1	外形尺寸圖/曲線特性圖 (Shape size drawing/curve characteristic drawing)	見附頁 Please refer the drawing			
批 准		審 核		設 計	

RESISTANCE TAPER

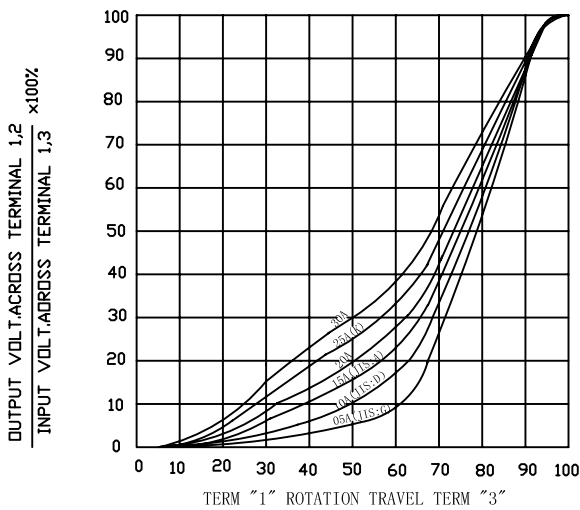
TAPER B SERIES



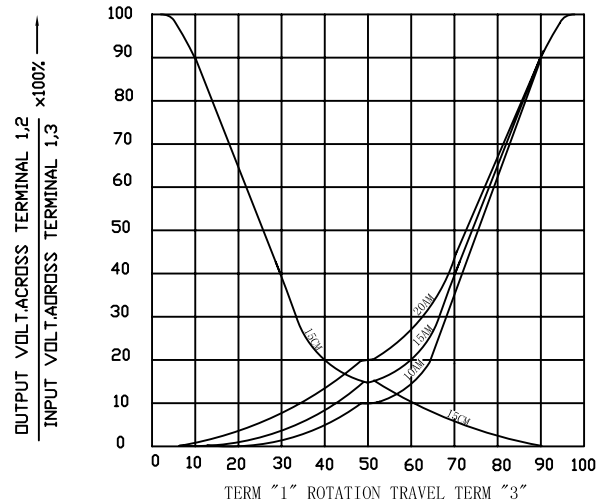
TAPER B WITH 50% TAP



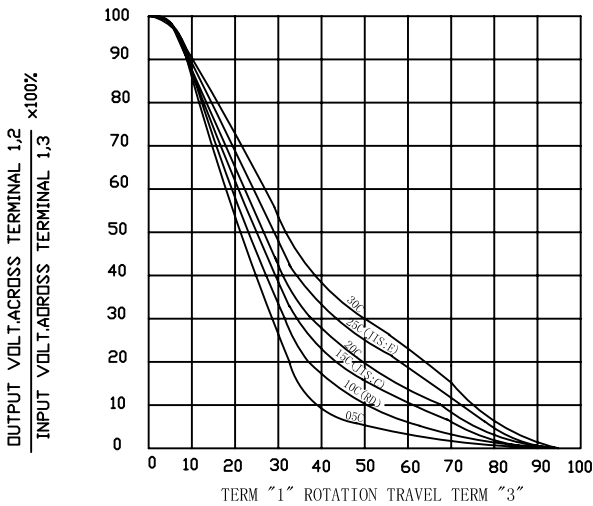
TAPER A SERIES



TAPER A & C WITH 50% TAP



TAPER C SERIES



TAPER M & N SERIES

