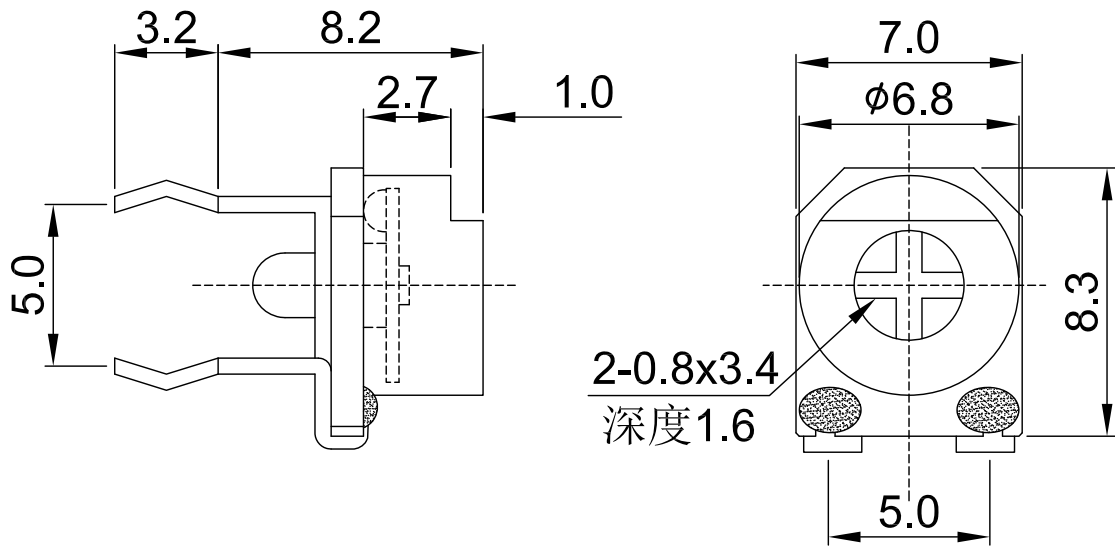
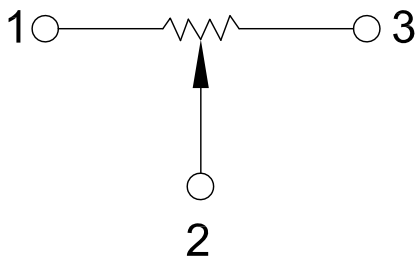


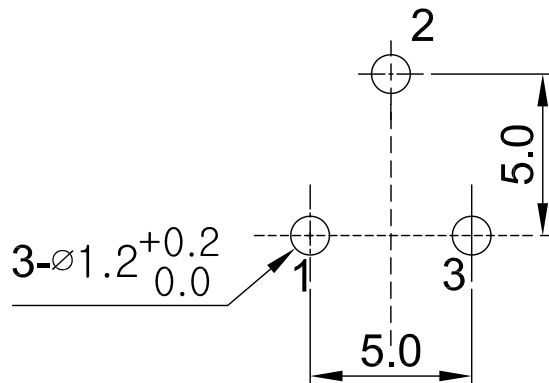
外形图
Mechanical Dimensions



接线图
Circuit explanation



安装孔位置图
Mounting Hole



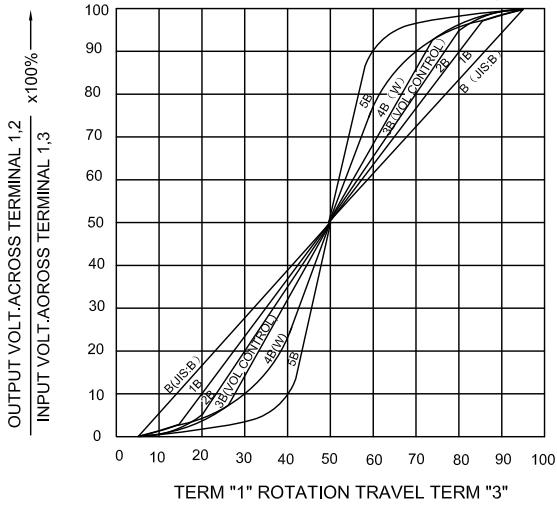
			PRODUCT NAME	Semi-Fixed Potentiometer		
			MODEL NAME	SC065-A-value		
			APPROVED BY	CHECKED BY	DRAWN BY	
NO	DATE	DESCRIPTION				
DIMENSION	TOLERANCE	SCALE				
$\int \leq 10$	± 0.2	UNIT	mm			
$10 < \int \leq 30$	± 0.5	VER.	A0	2014/8/27	2014/8/27	2014/8/27
$30 < \int \leq 100$	± 1.0	DATE	2014-8-27	Eva	Sophie	Ball
All Angles	$\pm 5^\circ$					

Semi-fix Potentiometers Series Specifications

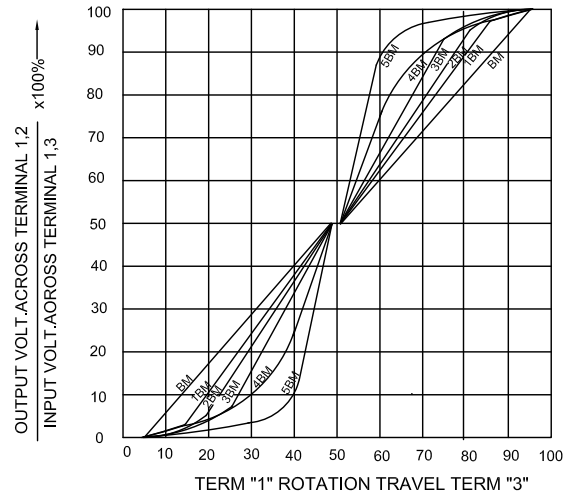
1.電氣性能 (Electrical Characteristics)	
1.1	全阻抗值 (Total Resistance) 200 K Ω
1.2	全阻抗值允許偏差 (Total Resistance Tolerance) $\pm 20\%$ (More than 1 M Ω $\pm 30\%$)
1.3	電阻隨溫度變化特性 Resistance of temperature change character) 20 $^{\circ}$ C-75 $^{\circ}$ C: $\Delta R/R \leq \pm 5\%$, -25 $^{\circ}$ C-20 $^{\circ}$ C: $\Delta R/R \leq \pm 4.5\%$
1.4	阻值變化特性 (Resistance Taper) B
1.5	零位阻值 (Residual Resistance) R $\geq 250K\Omega$ / 0.1 % max. of total Value 250K Ω >R>10K Ω / 20 Ω max. 10K Ω \geq R / 10 Ω max.
1.6	額定功率 (Rated Power) Linear Taper B: 0.25W
1.7	最高使用電壓 (Max.Operating Voltage) 100V AC
1.10	耐電壓 (Withstand Voltage) For 1 minute at: AC 100V
1.8	耐溫特性 (Temperature Characteristic) -10 $^{\circ}$ C \sim 70 $^{\circ}$ C: $\Delta R/R \leq \pm 8\%$
1.9	潮濕環境下負載性能 (Load Life In Humidity) 20%Max 350 hours rated in 90%RH 40 $^{\circ}$ C
2.機械性能 (Mechanical Characteristics)	
2.1	全回轉角度 (Rotation Angle) 250 $^{\circ}$ $\pm 10^{\circ}$
2.2	旋轉力矩 (Rotation Torque) 30 \sim 300gf.cm
2.4	轉動止檔強度 (Rotational Stop-End Torque) 0.5 kgf.cm Max.
2.8	焊錫耐熱性 (Resistance To Soldering Heat) 245 $\pm 5^{\circ}$ C and less than 3 seconds
3.耐久性能 (Durability)	
3.1	回轉壽命 (Rotation Life) 200 Cycles min.
3.2	工作溫度 (Operating temperature) -40 $^{\circ}$ C \sim +125 $^{\circ}$ C
4.1	外形尺寸圖/曲線特性圖 (Shape size drawing/curve characteristic drawing) 見附頁 Please refer the drawing
批准	 審核  設計 

RESISTANCE TAPER

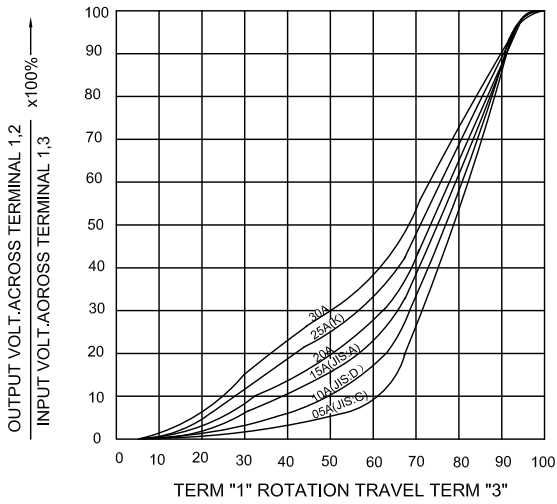
TAPER B SERIES



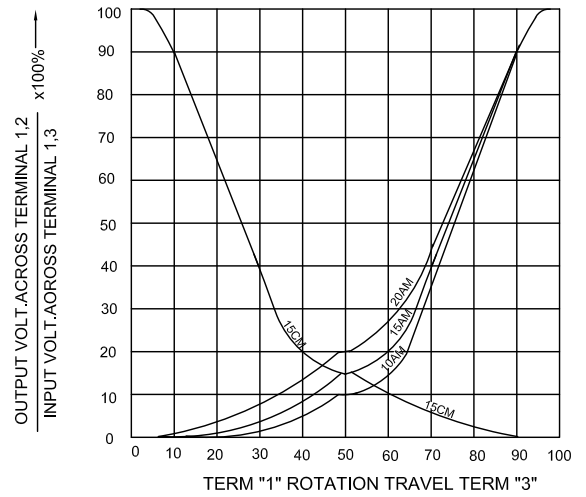
TAPER B WITH 50% TAP



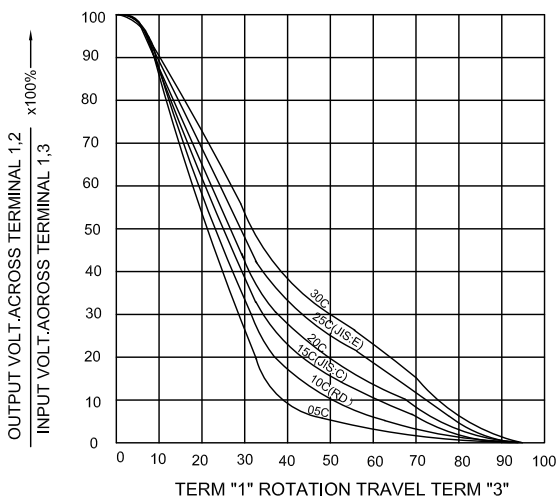
TAPER A SERIES



TAPER A & C WITH 50% TAP



TAPER C SERIES



TAPER M & N SERIES

