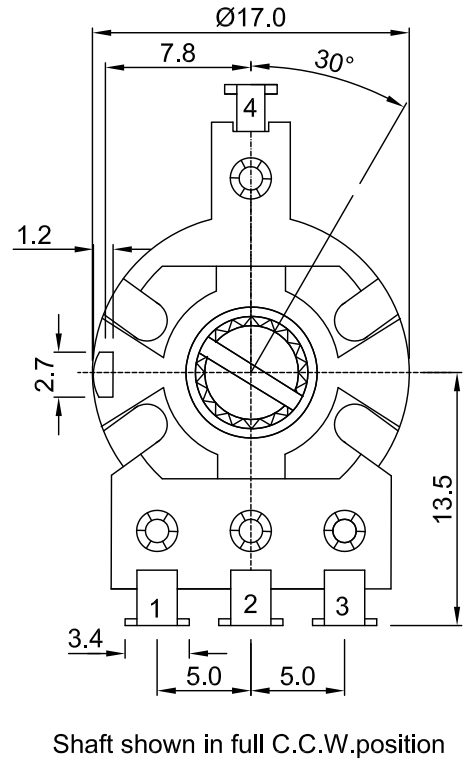
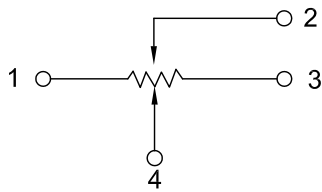
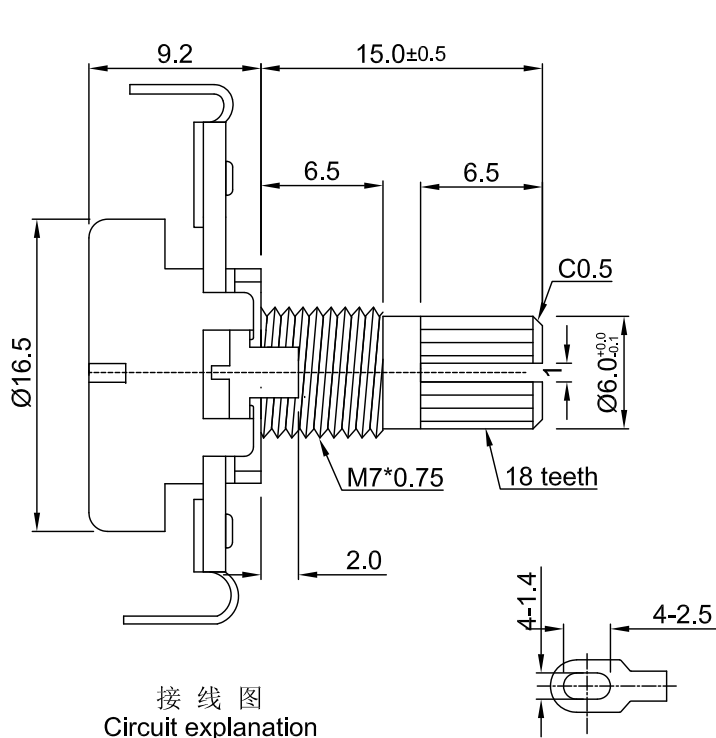
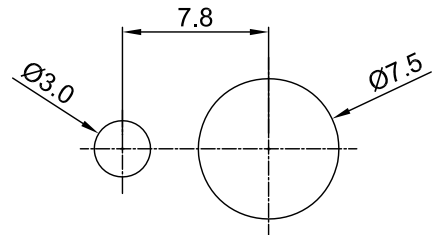
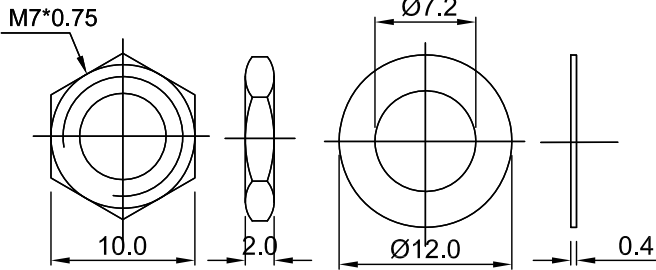


外形图 Mechanical Dimensions



安装孔位置图
P.C.B. mounting hole detail

Attached parts: nut & washer



3				PRODUCT NAME	Rotary Potentiometer		
2				MODEL NAME	RD1610NR-2B1-value		
1				APPROVED BY	CHECKED BY	DRAWN BY	
NO	DATE	DESCRIPTION					
	DIMENSION	TOLERANCE	SCALE				
	$f \leq 10$	± 0.2	UNIT	<div style="border: 1px solid black; border-radius: 50%; padding: 5px; width: 60px; margin: 0 auto;"> R & D 2015/3/23 Eva </div>	<div style="border: 1px solid black; border-radius: 50%; padding: 5px; width: 60px; margin: 0 auto;"> R & D 2015/3/23 Sophie </div>	<div style="border: 1px solid black; border-radius: 50%; padding: 5px; width: 60px; margin: 0 auto;"> R & D 2015/3/23 Ball </div>	
	$10 < f \leq 30$	± 0.5	VER.				A0
	$30 < f \leq 100$	± 1.0	DATE				2015/3/23
	All Angles	$\pm 5^\circ$					