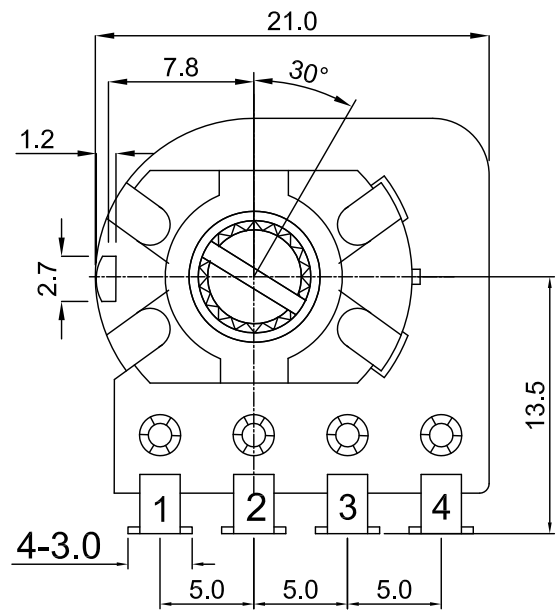
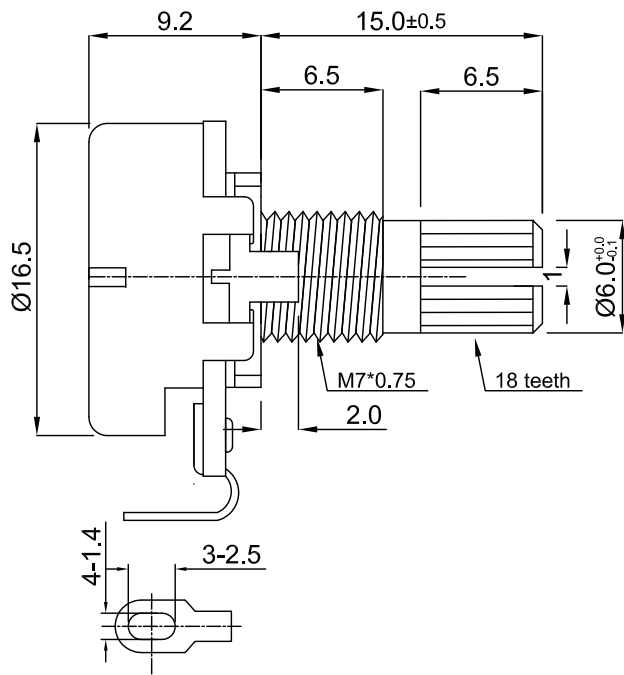
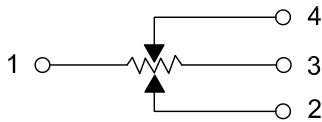


外形图 Mechanical Dimensions

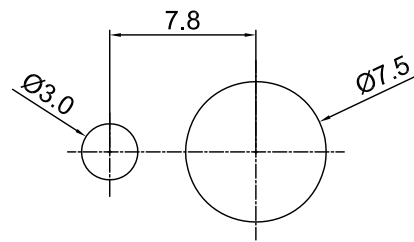


Shaft shown in full C.C.W. position

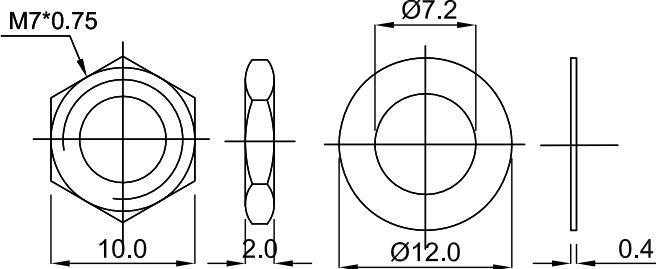
接线图
Circuit explanation



安装孔位置图
P.C.B. mounting hole detail



attached parts : nut & washer



3				PRODUCT NAME	Rotary Potentiometer	
2				MODEL NAME	RD1610NT-2B1-value	
1				APPROVED BY	CHECKED BY	DRAWN BY
NO	DATE	DESCRIPTION		R & D	R & D	R & D
		DIMENSION	TOLERANCE	SCALE		
		$f \leq 10$	± 0.2	UNIT	2015/12/9	2015/12/9
		$10 < f \leq 30$	± 0.5	Ver.	eva	Sophie
		$30 < f \leq 100$	± 1.0	DATE	2015/12/9	2015/12/9
		All Angles	$\pm 5^\circ$		Ball	