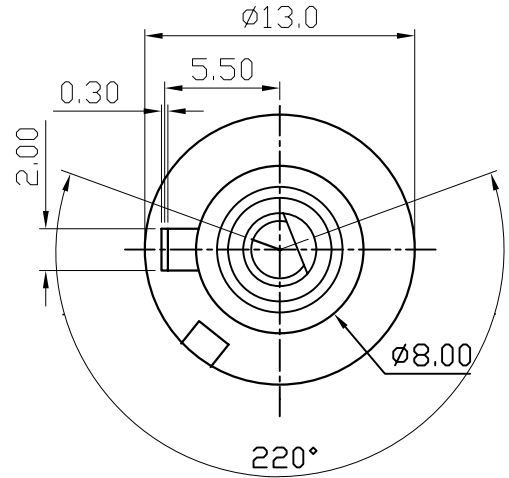
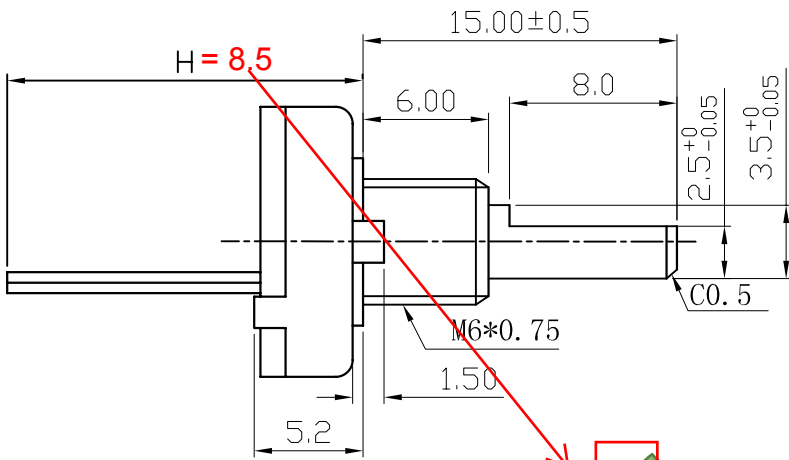
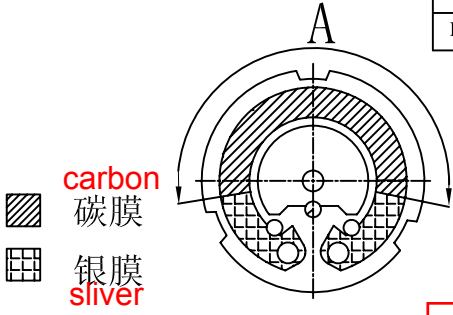


# 外形圖 Mechanical Dimensions



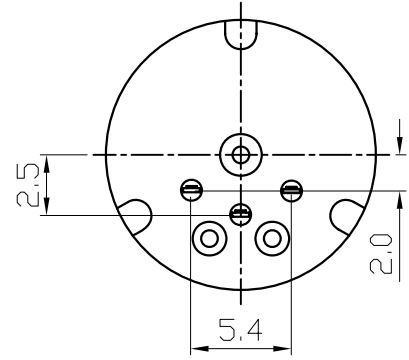
Shaft shown in full C. C. W. position

Y	<input checked="" type="checkbox"/>	<input type="checkbox"/>	<input type="checkbox"/>	<input type="checkbox"/>
H	8.5	12.7	19.7	24.5



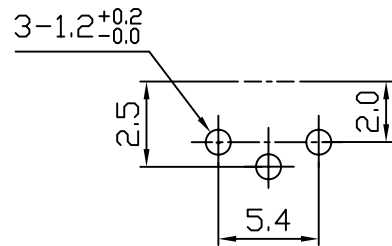
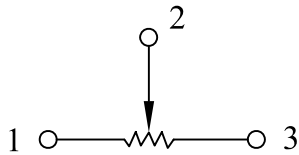
A:

50°	60°	70°	75°	80°	90°	100°	120°	200°	230°
-----	-----	-----	-----	-----	-----	------	------	------	------



安裝孔位置圖  
Mounting Hole

接線圖  
Circuit Explanation



3				PRODUCT NAME	旋轉電位器		
2				MODEL NAME	R1313N-AD <input type="checkbox"/> -Value		
1							
NO	DATE	DESCRIPTION		APPROVED BY	CHECKED BY	DRAWN BY	
		DIMENSION	TOLERANCE	SCALE	3:1		
		$l \leq 10$	$\pm 0.2$	UNIT	mm		
		$10 < l \leq 30$	$\pm 0.5$	VER.			
		$30 < l \leq 100$	$\pm 1.0$	DATE	07/06/07		

R & D  
2010.09.30  
Sam

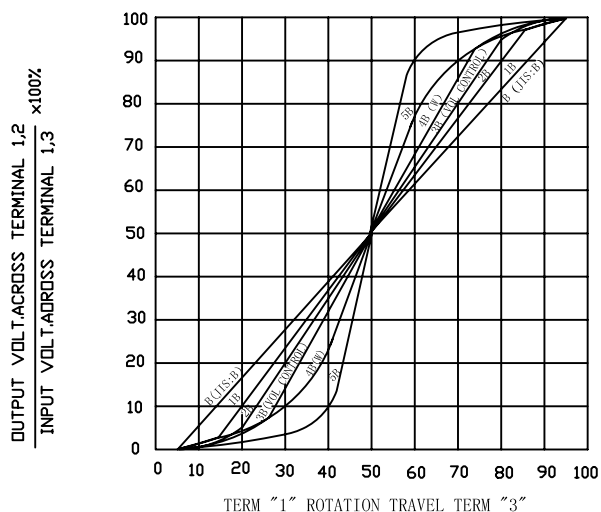
# 一、旋轉式電位器系列技術規格書

## Rotary Series Potentiometers Technic Specifications

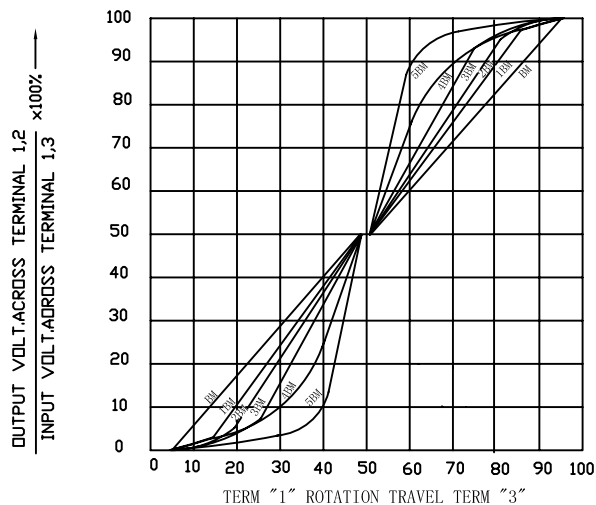
1. 電氣性能 (Electrical Characteristic)					
序号	項目			特性	
1.1	全阻抗值 (Total Resistance)			5K $\Omega$	
1.2	全阻抗值允許偏差 (Total Resistance Tolerance)			$\pm 10\%$ , $\pm 20\%$	
1.3	電阻隨溫度變化特性 (Resistance of temperature change character)			20 $^{\circ}$ C-75 $^{\circ}$ C: $\Delta R/R \leq \pm 5\%$ , -25 $^{\circ}$ C-20 $^{\circ}$ C: $\Delta R/R \leq \pm 4.5\%$	
1.4	阻值變化特性 (Resistance Taper)			B	
1.5	零位阻值 (Residual Resistance)			R $\geq$ 250K $\Omega$ 0.1%max.of total resistance 250K $\Omega$ >R>10K $\Omega$ 50 $\Omega$ 10K $\Omega$ $\geq$ R 30 $\Omega$ max.	
1.6	額定功率 (Rated Power)			Curve B:0.1W Other than B:0.05W	
1.7	最高使用電壓 (Max.Operating Voltage)			AC 500V	
1.8	動雜音 (Rotational Noise)			Less than 100mV	
1.9	絕緣阻抗 (Insulation Resistance)			More than 50M $\Omega$ at DC500V	
1.10	耐電壓 (Withstand Voltage)			for 1 minute at:500V A	
1.11	開關接觸電阻 (Switch Contact Resistance)			/	
1.12	同步誤差 (Gang Error)			/	
2. 機械性能 (Mechanical Characteristics)					
2.1	全回轉角度 (Rotation Angle)			220 $^{\circ}$ $\pm$ 10 $^{\circ}$	
2.2	旋轉力矩 (Rotation Torque)			20~150gf.cm	
2.3	軸的拉、押強度 (Pull-Push Strength)			6Kgf	
2.4	轉動止檔強度 (Rotational Stop-End Torque)			5kgf.cm	
2.5	焊錫耐熱性 (Resistance To Soldering Heat)			<u>260<math>\pm</math>5<math>^{\circ}</math>C</u> and less than <u>3</u> seconds	
2.6	碳膜角度 (Curve Angle)			A=230 degree	
2.7	開關操作力 (Switch Action)			/	
3. 耐久性能 (Durability)					
3.1	回轉壽命 (Rotation Life)			100,000Cycles	
4. 外形尺寸圖/曲線特性圖 (Shape size drawing/curve characteristic drawing)				見附頁 (Please see attachment)	
批 准		審 核		設 計	

# RESISTANCE TAPER

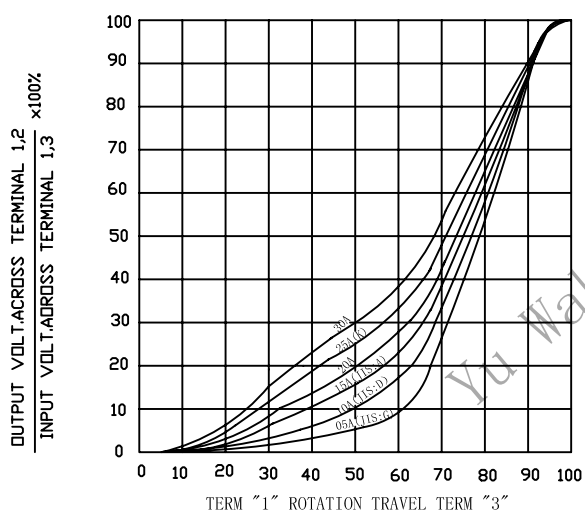
TAPER B SERIES



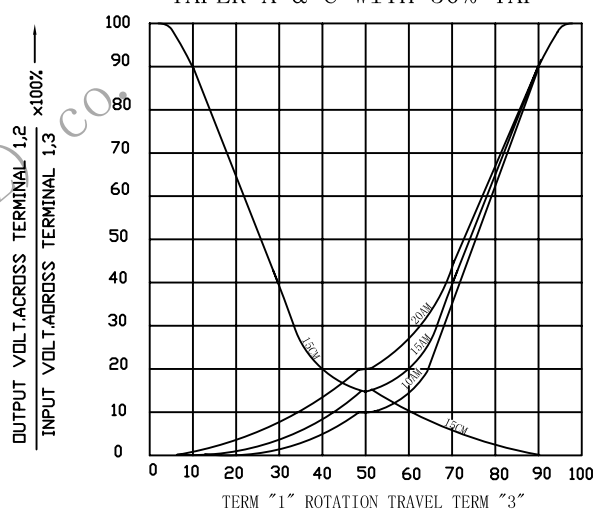
TAPER B WITH 50% TAP



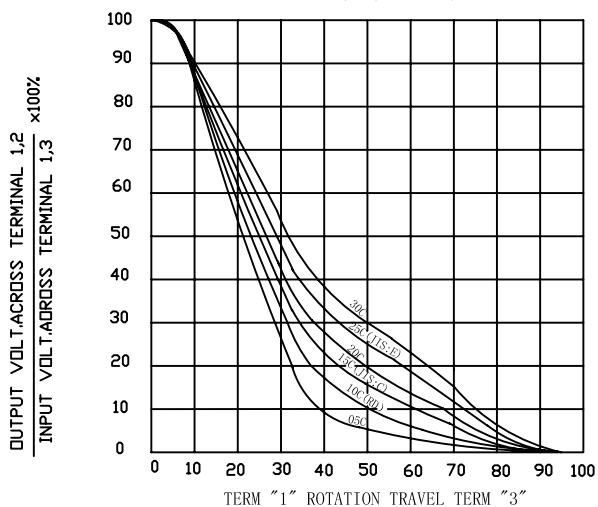
TAPER A SERIES



TAPER A & C WITH 50% TAP



TAPER C SERIES



TAPER M & N SERIES

