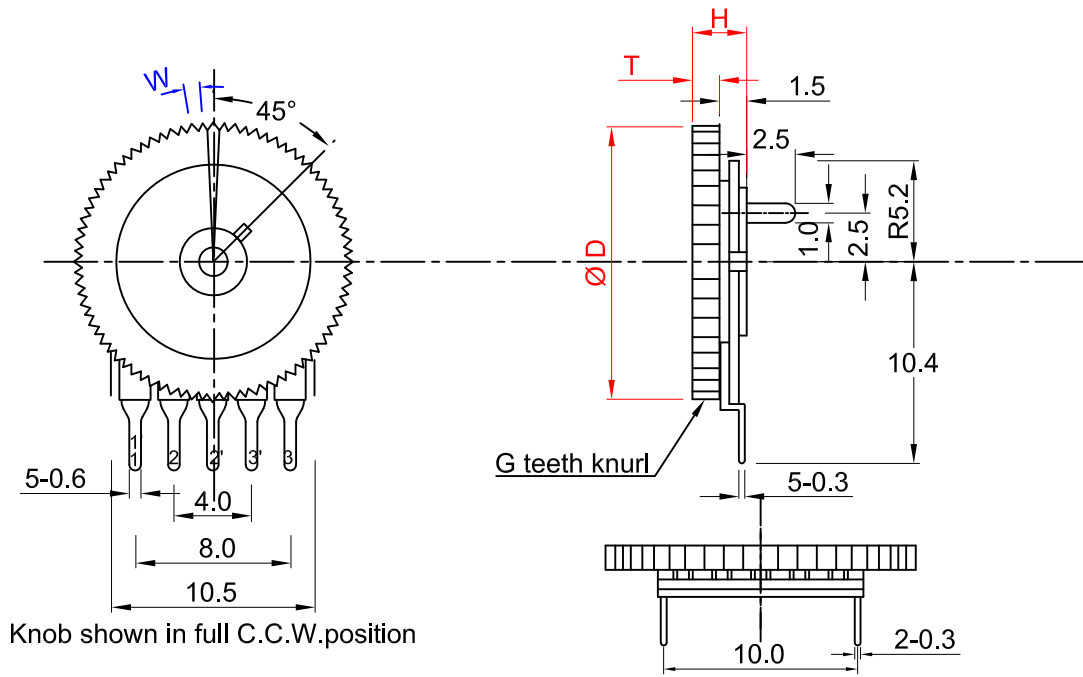
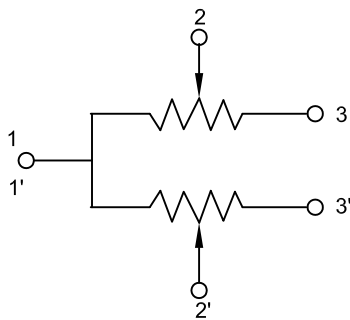


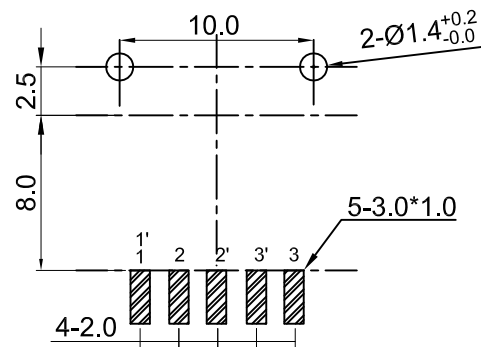
外形图 Mechanical Dimensions



接线图
Circuit explanation



安装孔位图
P.C.B. mounting hole detail



W (tooth angle)	旋钮尺寸	X	0	2	3	4	5	6	7	8	9	P	Q	R	S	T
90 x 4°		H	4.3	2.5	3.5	4.3	3.5	2.5	4.3	2.5	3.5	4.3	3.5	4.3	3.8	4.3
72 x 5°		T	2.2	1.0	2.0	2.8	2.0	1.0	2.8	1.0	2.0	2.8	2.0	2.8	2.5	2.8
60 x 6°		D	20	14	16	16	14	16	18	18	18	20	20	22	16	14

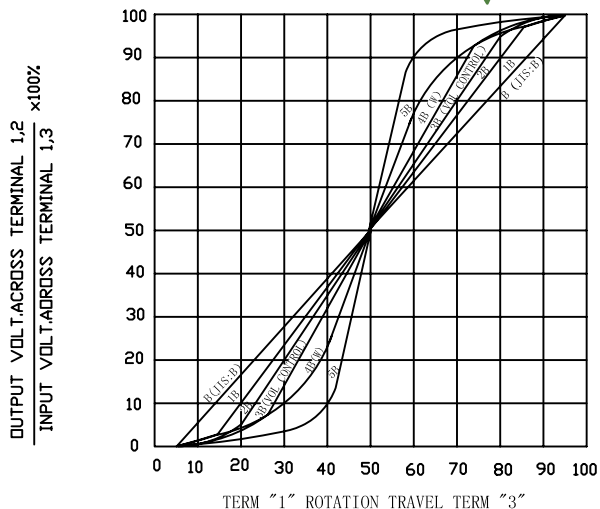
3				PRODUCT NAME	Rotary Potentiometer		
2				MODEL NAME	R1001H-xA1-value		
1				APPROVED BY	CHECKED BY	DRAWN BY	
NO	DATE	DESCRIPTION					
DIMENSION	TOLERANCE	SCALE					
$\int \leq 10$	± 0.2	UNIT	mm				
$10 < \int \leq 30$	± 0.5	VER.	A0				
$30 < \int \leq 100$	± 1.0	DATE	2014/9/15				
All Angles	$\pm 5^\circ$						

10 mm Rotary Potentiometers Series Specifications

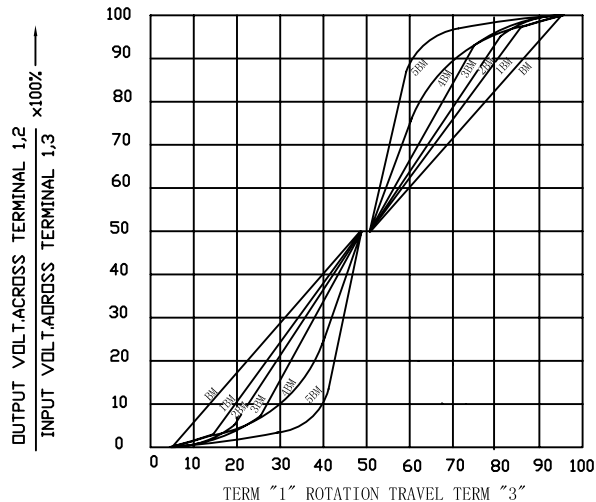
1. 電氣性能 (Electrical Characteristics)						
1.1	全阻抗值 (Total Resistance)		1KΩ-2MΩ			
1.2	全阻抗值允許偏差 (Total Resistance Tolerance)		±20% (More than 1 M Ω ±30%)			
1.3	電阻隨溫度變化特性 Resistance of temperature change character)		20℃-75℃:△R/R≤±5%, -25℃-20℃:△R/R≤±4.5%			
1.4	阻值變化特性 (Resistance Taper)		A,B,C...			
1.5	零位阻值 (Residual Resistance)		R>250KΩ / 0.1 % max. of total Value 250KΩ>R>10KΩ / 20Ω max. 10KΩ>R / 10Ω max.			
1.6	額定功率 (Rated Power)		Linear Taper B: 0.02W Other Taper:0.01W			
1.7	最高使用電壓 (Max.Operating Voltage)		12V DC			
1.8	動雜音 (Rotational Noise)		Less Than 100mV			
1.9	絕緣阻抗 (Insulation Resistance)		More than 50MΩ at DC 500V			
1.10	耐電壓 (Withstand Voltage)		For 1 minute at: AC 500V			
1.11	開關額定功率(Switch Rated Power)		-----			
1.12	同步誤差 (Gang Error)		-40dB~0dB≤3dB			
2. 機械性能 (Mechanical Characteristics)						
2.1	全回轉角度 (Rotation Angle)		270°±10°			
2.2	旋轉力矩 (Rotation Torque)		10~100gf.cm			
2.3	軸的拉、押強度 (Pull-Push Strength)		1 Kgf.cm Max.			
2.4	轉動止檔強度 (Rotational Stop-End Torque)		≤0.8 kgf.cm Max.			
2.5	開關角度(Switch Working Angel)		-----			
2.6	開關力矩(Switch Working Torque)		-----			
2.7	旋轉定位數目 (Number of Detents(click))		no detent			
2.8	焊錫耐熱性 (Resistance To Soldering Heat)		260±5℃ and less than 3 seconds			
3. 耐久性能 (Durability)						
3.1	回轉壽命 (Rotation Life)		10,000 Cycles min.			
3.2	工作溫度 (Operating temperature)		-10℃~+70℃			
4.1	外形尺寸圖/曲線特性圖 (Shape size drawing/curve characteristic drawing)		見附頁 Please refer the drawing			
批 准			審 核		設 計	

RESISTANCE TAPER

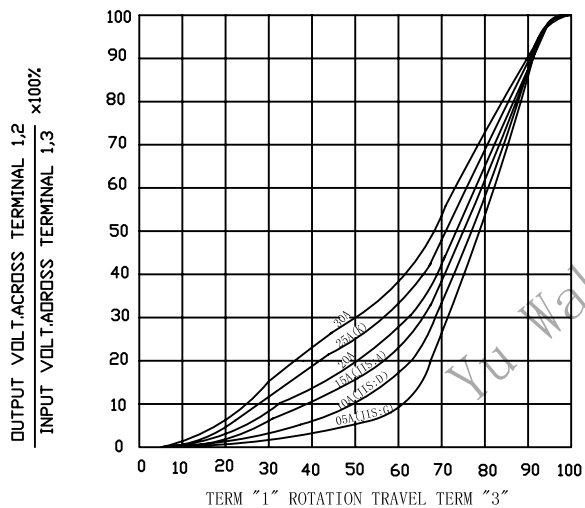
TAPER B SERIES ✓



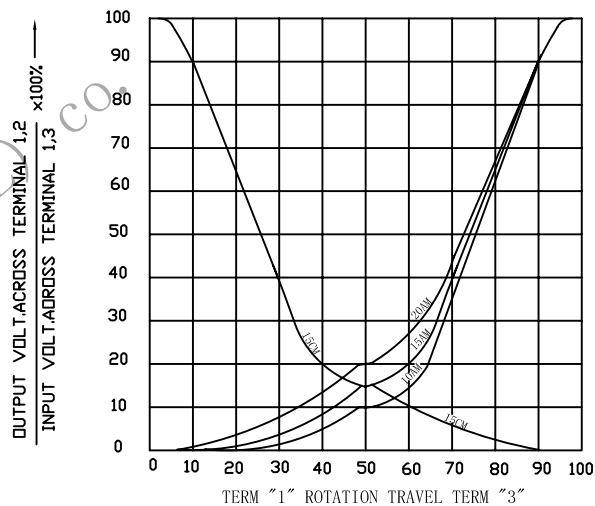
TAPER B WITH 50% TAP



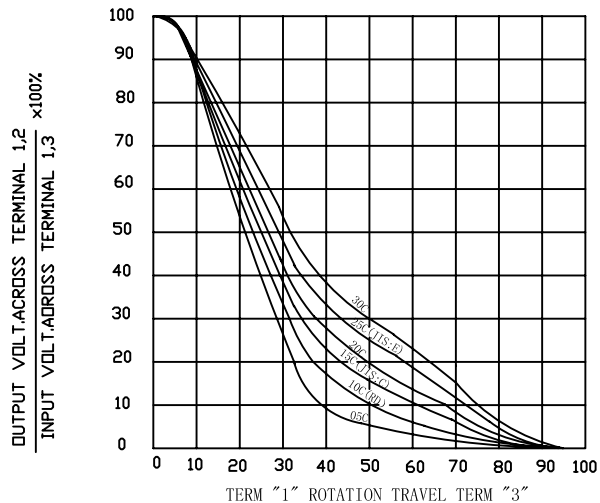
TAPER A SERIES



TAPER A & C WITH 50% TAP



TAPER C SERIES



TAPER M & N SERIES

