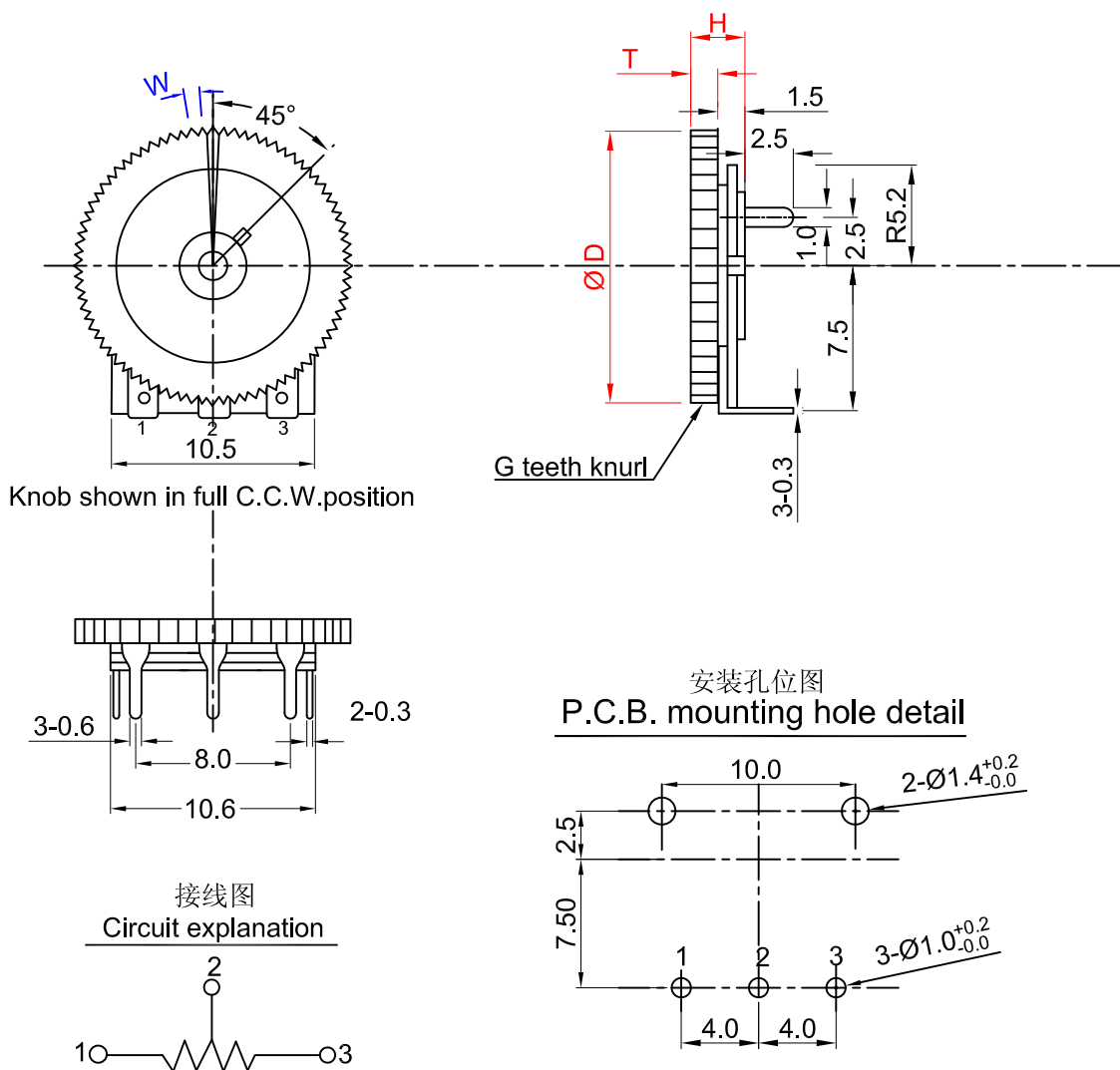


外形图 Mechanical Dimensions



W (tooth angle)	旋鈕尺寸	X	0	2	3	4	5	6	7	8	9	P	Q	R	S	T
72 x 5°		H	4.3	2.5	3.5	4.3	3.5	2.5	4.3	2.5	3.5	4.3	3.5	4.3	4.0	4.3
60 x 6°		T	2.2	1.0	2.0	2.8	2.0	1.0	2.8	1.0	2.0	2.8	2.0	2.8	2.5	2.8
40 x 9° ✓		D	20	14	16	16	14	16	18	18	18	20	20	22	16	14

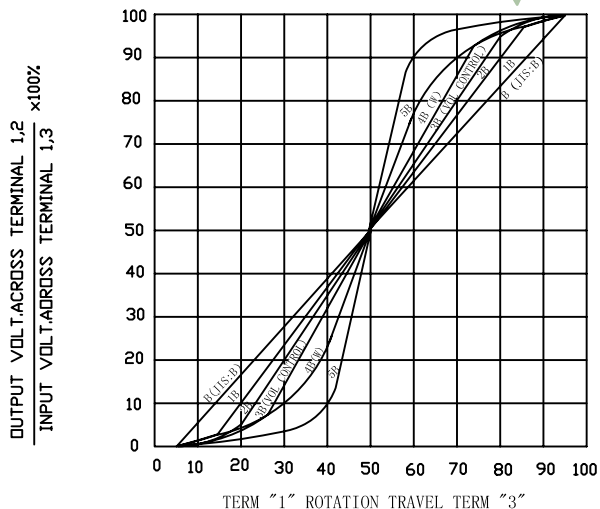
3			PRODUCT NAME		Rotary Potentiometer		
2			MODEL NAME		R1001N-xD1-value		
1			APPROVED BY		CHECKED BY		DRAWN BY
NO	DATE	DESCRIPTION		2014-9-15		2014-9-15	
DIMENSION		TOLERANCE	SCALE	Eva		Sophie	
$\int \leq 10$		± 0.2	UNIT	2014-9-15		2014-9-15	
$10 < \int \leq 30$		± 0.5	VER.	Ball		2014-9-15	
$30 < \int \leq 100$		± 1.0	DATE				
All Angles		$\pm 5^\circ$					

10 mm Rotary Potentiometers Series Specifications

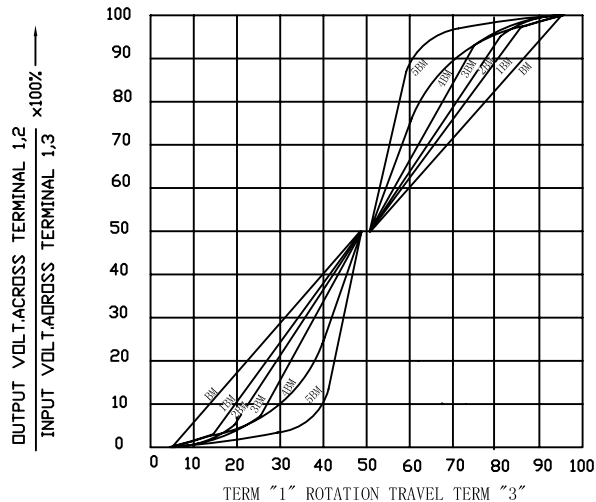
1. 電氣性能 (Electrical Characteristics)					
1.1	全阻抗值 (Total Resistance)		10K Ω		
1.2	全阻抗值允許偏差 (Total Resistance Tolerance)		$\pm 20\%$ (More than 1 M Ω $\pm 30\%$)		
1.3	電阻隨溫度變化特性 Resistance of temperature change character)		20 $^{\circ}\text{C}$ -75 $^{\circ}\text{C}$: $\Delta R/R \leq \pm 5\%$, -25 $^{\circ}\text{C}$ -20 $^{\circ}\text{C}$: $\Delta R/R \leq \pm 4.5\%$		
1.4	阻值變化特性 (Resistance Taper)		B		
1.5	零位阻值 (Residual Resistance)		R > 250K Ω / 0.1 % max. of total Value 250K Ω > R > 10K Ω / 20 Ω max. 10K Ω > R / 10 Ω max.		
1.6	額定功率 (Rated Power)		Linear Taper B: 0.02W Other Taper: 0.01W		
1.7	最高使用電壓 (Max. Operating Voltage)		12V DC		
1.8	動雜音 (Rotational Noise)		Less Than 100mV		
1.9	絕緣阻抗 (Insulation Resistance)		More than 50M Ω at DC 500V		
1.10	耐電壓 (Withstand Voltage)		For 1 minute at: AC 500V		
1.11	開關額定功率 (Switch Rated Power)		-----		
1.12	同步誤差 (Gang Error)		-----		
2. 機械性能 (Mechanical Characteristics)					
2.1	全回轉角度 (Rotation Angle)		270 $^{\circ}$ $\pm 10^{\circ}$		
2.2	旋轉力矩 (Rotation Torque)		10~100gf.cm		
2.3	軸的拉、押強度 (Pull-Push Strength)		1 Kgf.cm Max.		
2.4	轉動止檔強度 (Rotational Stop-End Torque)		≤ 0.8 kgf.cm Max.		
2.5	開關角度 (Switch Working Angel)		-----		
2.6	開關力矩 (Switch Working Torque)		-----		
2.7	旋轉定位數目 (Number of Detents(click))		no detent		
2.8	焊錫耐熱性 (Resistance To Soldering Heat)		<u>260</u> $\pm 5^{\circ}\text{C}$ and less than <u>3</u> seconds		
3. 耐久性能 (Durability)					
3.1	回轉壽命 (Rotation Life)		10,000 Cycles min.		
3.2	工作溫度 (Operating temperature)		-10 $^{\circ}\text{C}$ ~ +70 $^{\circ}\text{C}$		
4.1	外形尺寸圖/曲線特性圖 (Shape size drawing/curve characteristic drawing)		見附頁 Please refer the drawing		
批 准			審 核		
			設 計		

RESISTANCE TAPER

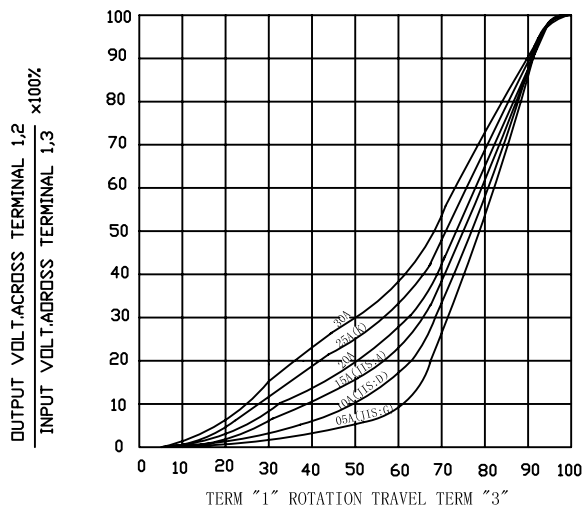
TAPER B SERIES



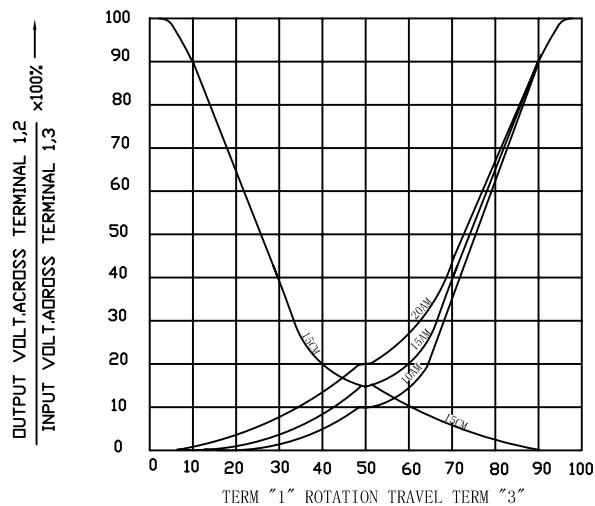
TAPER B WITH 50% TAP



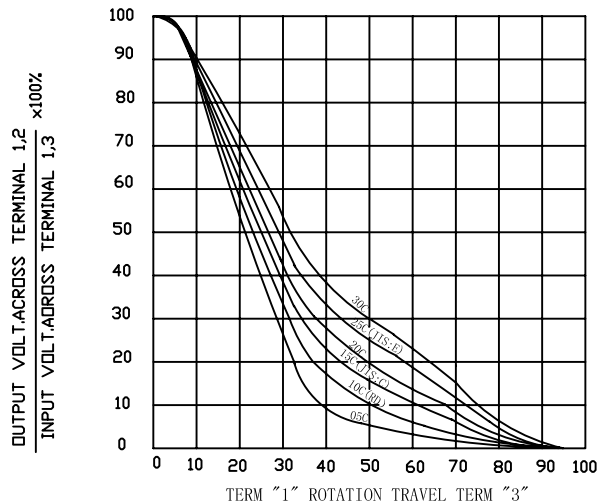
TAPER A SERIES



TAPER A & C WITH 50% TAP



TAPER C SERIES



TAPER M & N SERIES

