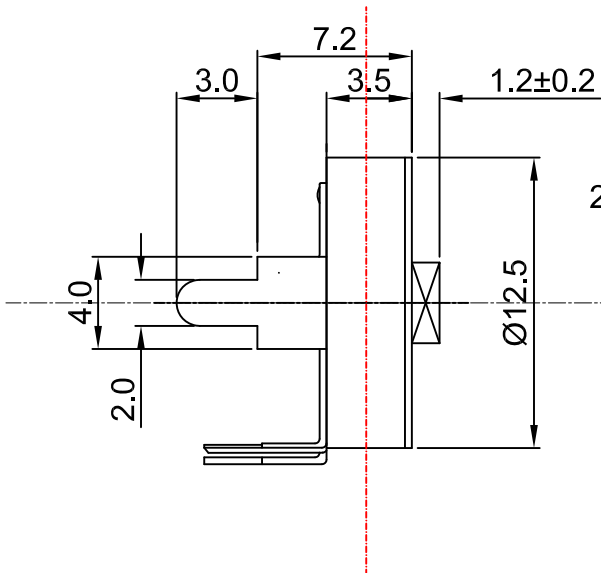
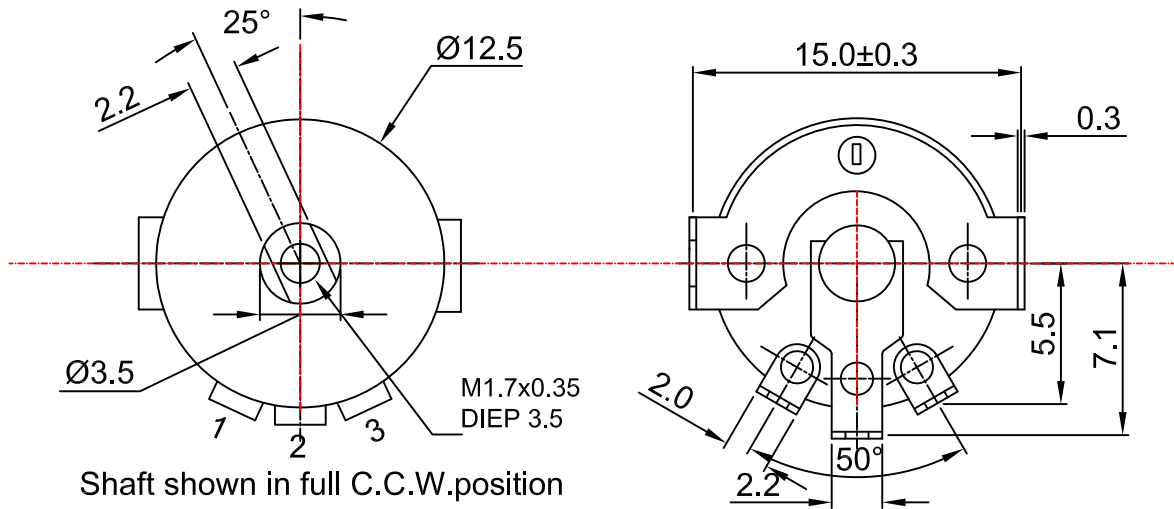


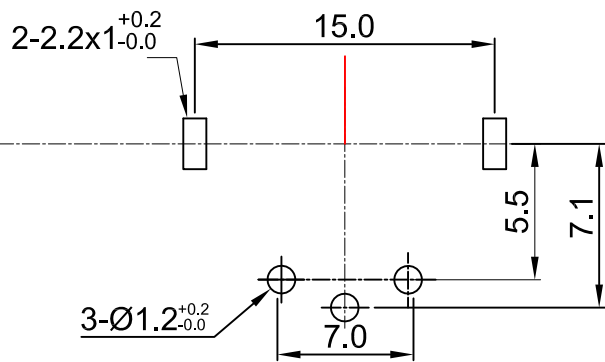
12 mm Rotary Series Potentiometers with SW Specifications

1.電氣性能 (Electrical Characteristics)						
1.1	全阻抗值 (Total Resistance)		10K Ω			
1.2	全阻抗值允许偏差 (Total Resistance Tolerance)		$\pm 20\%$ (More than 1 M Ω $\pm 30\%$)			
1.3	電阻隨溫度變化特性 Resistance of temperature change character)		20 $^{\circ}$ C-75 $^{\circ}$ C: $\Delta R/R \leq \pm 5\%$, -25 $^{\circ}$ C-20 $^{\circ}$ C: $\Delta R/R \leq \pm 4.5\%$			
1.4	阻值變化特性 (Resistance Taper)		B			
1.5	零位阻值 (Residual Resistance)		R \geq 250K Ω / 0.1 % max. of total Value 250K Ω >R>10K Ω / 20 Ω max. 10K Ω >R / 10 Ω max.			
1.6	額定功率 (Rated Power)		Linear Taper B: 0.1W Other Taper:0.05W			
1.7	最高使用電壓 (Max.Operating Voltage)		150V AC			
1.8	動雜音 (Rotational Noise)		Less Than 100mV			
1.9	絕緣阻抗 (Insulation Resistance)		More than 50M Ω at DC 500V			
1.10	耐電壓 (Withstand Voltage)		1 min. at AC 500V			
1.11	开关额定功率(Switch Rated Power)		-----			
1.12	同步誤差 (Gang Error)		-----			
2.機械性能 (Mechanical Characteristics)						
2.1	全回轉角度 (Rotation Angle)		230 $^{\circ}$ \pm 5 $^{\circ}$			
2.2	旋轉力矩 (Rotation Torque)		20~100gf.cm			
2.3	軸的拉、押強度 (Pull-Push Strength)		1 Kgf.cm			
2.4	轉動止檔強度 (Rotational Stop-End Torque)		2 kgf.cm Min			
2.5	开关角度(Switch Working Angel)		$\leq 35^{\circ}$			
2.6	开关力矩(Switch Working Torque)		50~350gf.cm			
2.7	旋轉定位數目 (Number of Detents(click))		no detent			
2.8	焊錫耐熱性 (Resistance To Soldering Heat)		260 \pm 5 $^{\circ}$ C and less than 3 seconds			
3.耐久性能 (Durability)						
3.1	回轉壽命 (Rotation Life)		10,000 Cycles min.			
3.2	工作溫度 (Operating temperature)		-10 $^{\circ}$ C~+70 $^{\circ}$ C			
4.1	外形尺寸圖/曲線特性圖 (Shape size drawing/curve characteristic drawing)		見附頁 Please refer the drawing			
批 准			審 核		設 計	

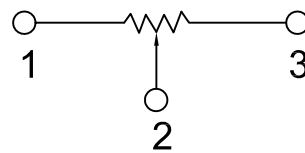
外形图 Mechanical Dimensions



安装孔位置图
P.C.B. mounting hole detail



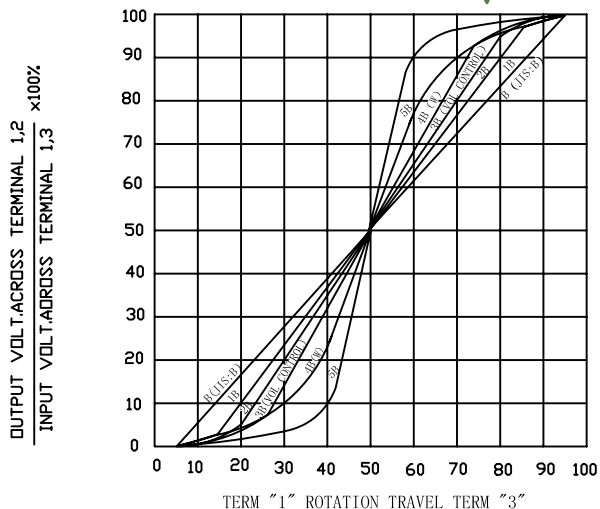
接线图
Circuit explanation



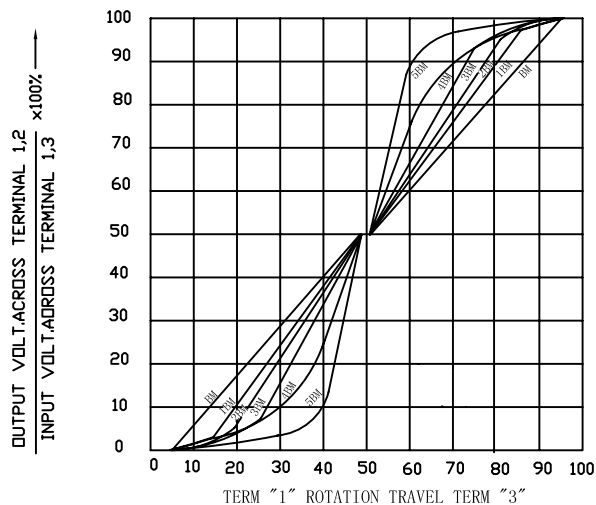
3			PRODUCT NAME	Rotary Potentiometer		
2			MODEL NAME	R127N-1.2D2-Value		
1			APPROVED BY	CHECKED BY	DRAWN BY	
NO	DATE	DESCRIPTION				
DIMENSION	TOLERANCE	SCALE	UNIT	mm		
$\int \leq 10$	± 0.2	VER.	A0			
$10 < \int \leq 30$	± 0.5	DATE	2014-12-4			
$30 < \int \leq 100$	± 1.0					
All Angles	$\pm 5^\circ$					

RESISTANCE TAPER

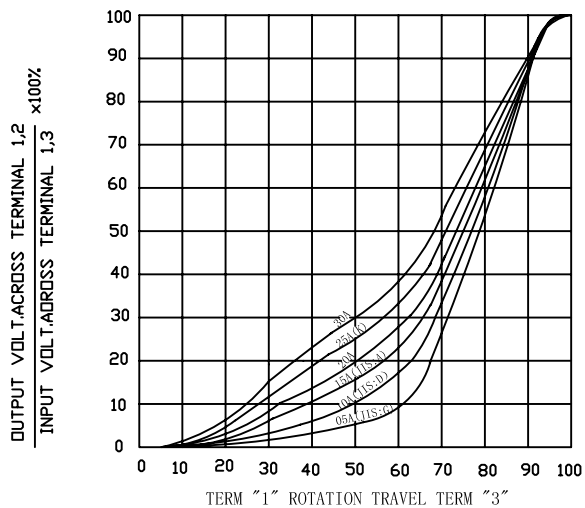
TAPER B SERIES ✓



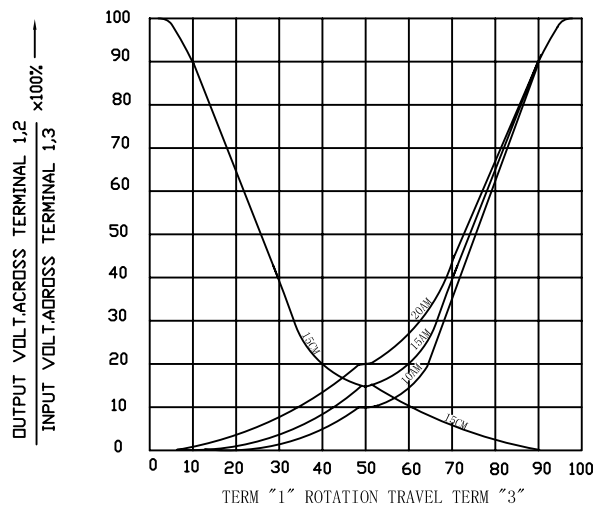
TAPER B WITH 50% TAP



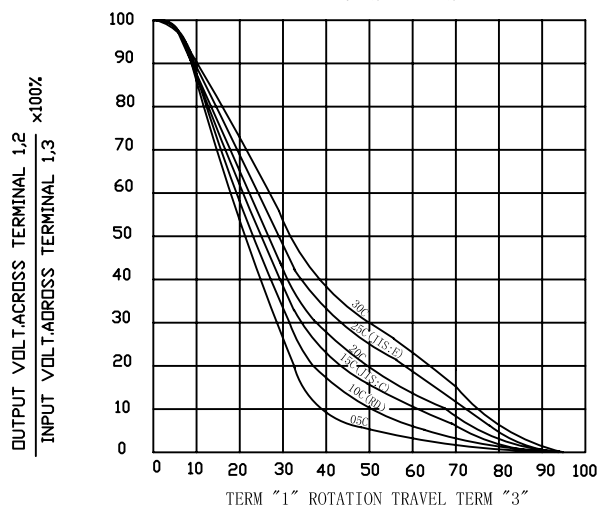
TAPER A SERIES



TAPER A & C WITH 50% TAP



TAPER C SERIES



TAPER M & N SERIES

