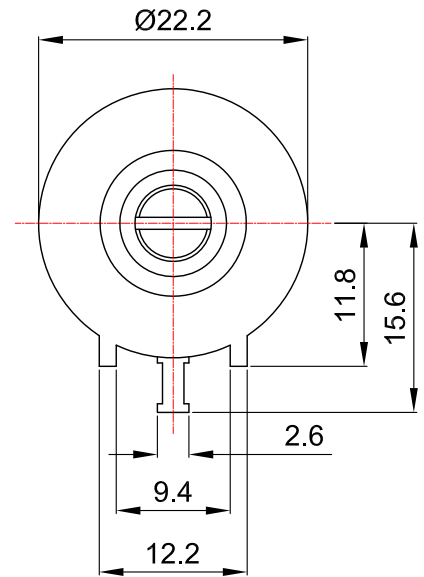
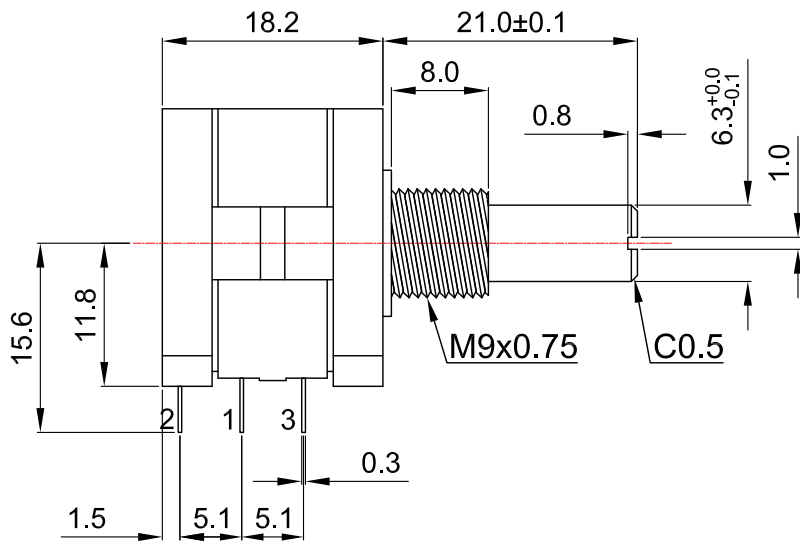
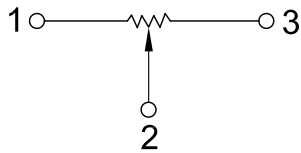


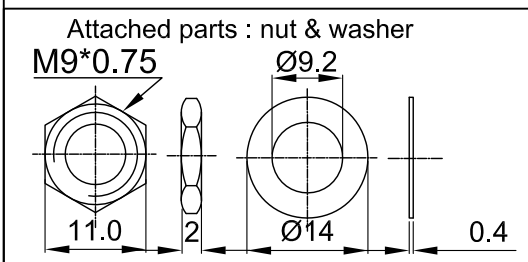
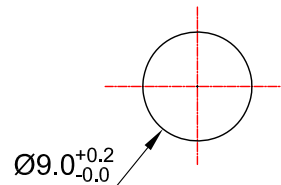
外形图 Mechanical Dimensions



接线图
Circuit explanation





安装孔位图
P.C.B. mounting hole detail



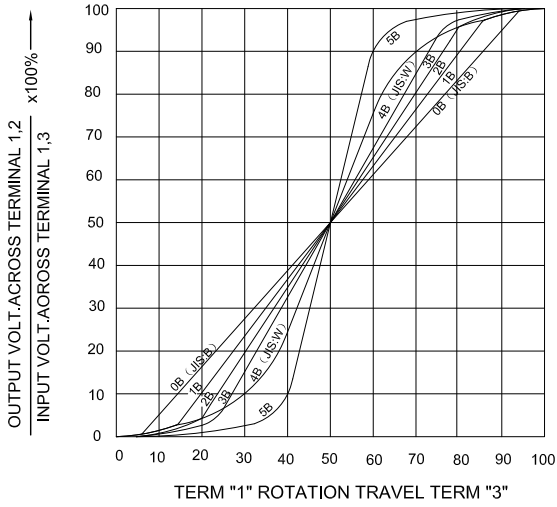
3			PRODUCT NAME	Rotary Potentiometer		
2			MODEL NAME	3590S-21SA1-value		
1			APPROVED BY	CHECKED BY	DRAWN BY	
NO	DATE	DESCRIPTION				
DIMENSION	TOLERANCE	SCALE				
$\int \leq 10$	± 0.2	UNIT	mm			
$10 < \int \leq 30$	± 0.5	VER.	A0			
$30 < \int \leq 100$	± 1.0	DATE				
All Angles	$\pm 5^\circ$	2019-6-10				

Semi-fix Potentiometers Series Specifications

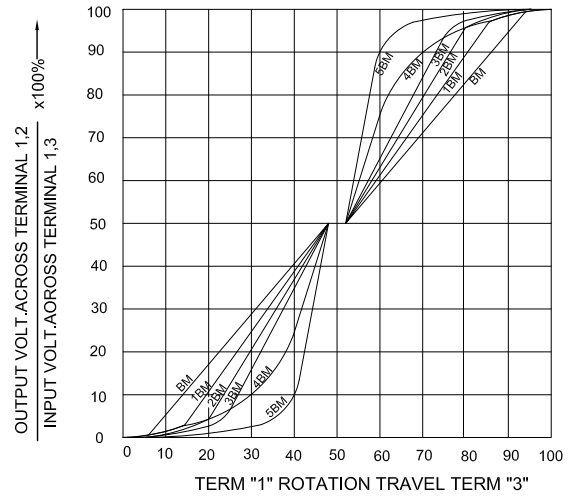
1. 電氣性能 (Electrical Characteristics)	
1.1	全阻抗值 (Total Resistance) 100Ω ~ 100KΩ
1.2	全阻抗值允許偏差 (Total Resistance Tolerance) ±5%
1.3	電阻隨溫度變化特性 Resistance of temperature change character) 20°C-75°C: ΔR/R ≤ ±5%, -25°C-20°C: ΔR/R ≤ ±4.5%
1.4	阻值變化特性 (Resistance Taper) B
1.5	零位阻值 (Residual Resistance) R ≥ 250KΩ / 0.1 % max. of total Value 250KΩ > R > 10KΩ / 20Ω max. 10KΩ ≥ R / 10Ω max.
1.6	額定功率 (Rated Power) Linear Taper B: 2W
1.7	最高使用電壓 (Max. Operating Voltage) 100V AC
1.8	絕緣阻抗 (Insulation Resistance) 1GΩ
1.9	耐電壓 (Withstand Voltage) AC 470V
1.10	耐溫特性 (Temperature Characteristic) -10°C ~ 70°C: ΔR/R ≤ ±8%
1.11	潮濕環境下負載性能 (Load Life In Humidity) 20% Max 350 hours rated in 90%RH 40°C
2. 機械性能 (Mechanical Characteristics)	
2.1	全回轉角度 (Rotation Angle) (6±0.1) turns nom
2.2	旋轉力矩 (Rotation Torque) ≤ 35mN.m
2.3	轉動止檔強度 (Rotational Stop-End Torque) 0.3 kgf.cm Max.
2.4	焊錫耐熱性 (Resistance To Soldering Heat) 245±5°C and less than 3 seconds
3. 耐久性能 (Durability)	
3.1	回轉壽命 (Rotation Life) 10000 Cycles min.
3.2	工作溫度 (Operating temperature) -55°C ~ +125°C
4.1	外形尺寸圖/曲線特性圖 (Shape size drawing/curve characteristic drawing) 見附頁 Please refer the drawing
批准	 審核  設計 

RESISTANCE TAPER

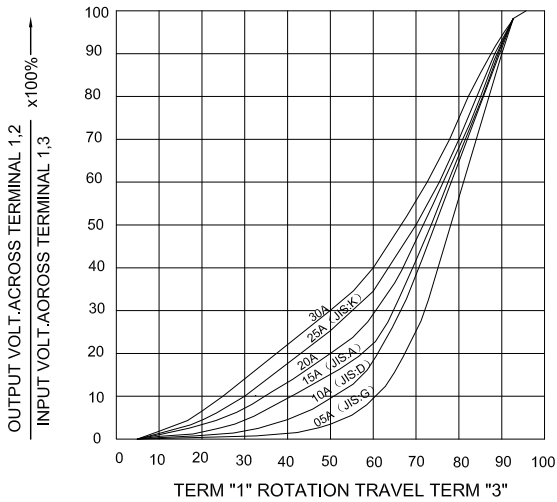
TAPER B SERIES



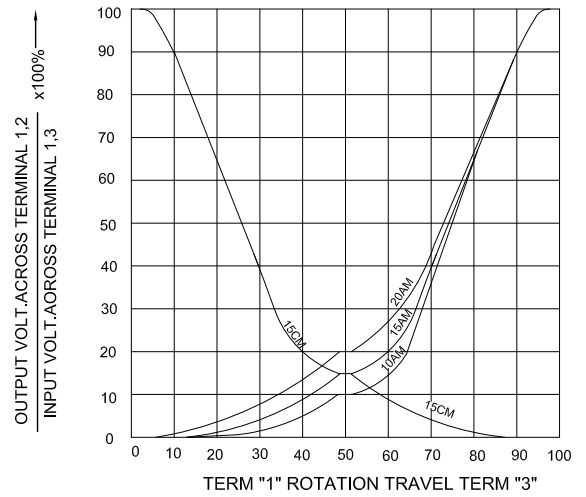
TAPER B WITH 50% TAP



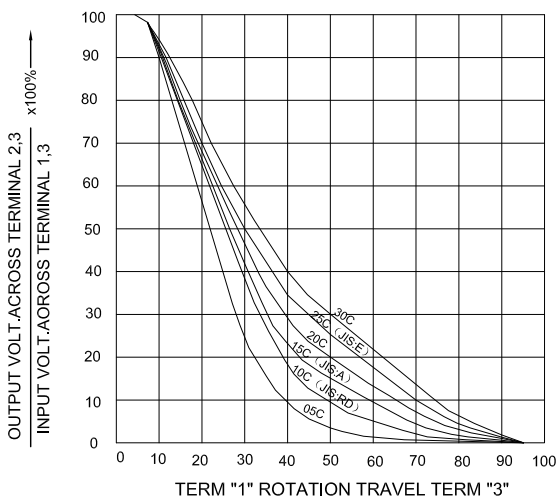
TAPER A SERIES



TAPER A & C WITH 50% TAP



TAPER C SERIES



TAPER M & N SERIES

