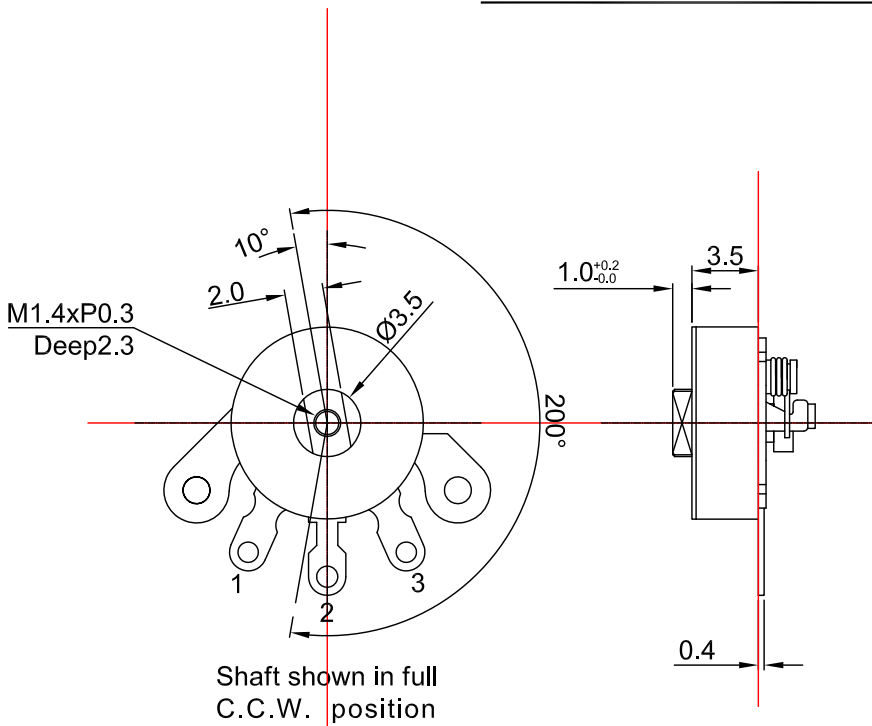
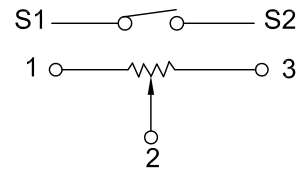


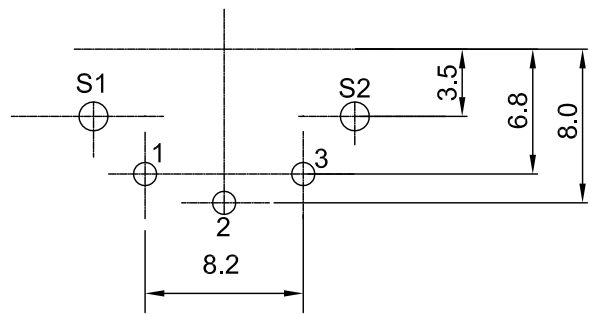
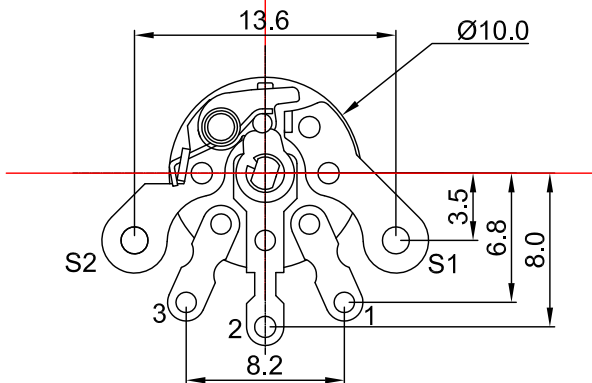
外形图 Mechanical Dimensions



接线图
Circuit explanation



安装孔位置图
P.C.B. mounting hole detail



3				PRODUCT NAME	Rotary Potentiometer	
2				MODEL NAME	R101NS-1A1-Value	
1	NO	DATE	DESCRIPTION	APPROVED BY	CHECKED BY	DRAWN BY
			DIMENSION	TOLERANCE	SCALE	
			$\int \leq 10$	± 0.2	UNIT	mm
			$10 < \int \leq 30$	± 0.5	VER.	A0
			$30 < \int \leq 100$	± 1.0	DATE	2016/10/28
			All Angles	$\pm 5^\circ$		
				<div style="border: 1px solid black; border-radius: 50%; padding: 5px; width: 60px; margin: 0 auto;"> <div style="text-align: center; color: red; font-weight: bold;">R & D</div> <div style="text-align: center;">2016/10/28</div> <div style="text-align: center;">Eva</div> </div>	<div style="border: 1px solid black; border-radius: 50%; padding: 5px; width: 60px; margin: 0 auto;"> <div style="text-align: center; color: red; font-weight: bold;">R & D</div> <div style="text-align: center;">2016/10/28</div> <div style="text-align: center;">sophie</div> </div>	<div style="border: 1px solid black; border-radius: 50%; padding: 5px; width: 60px; margin: 0 auto;"> <div style="text-align: center; color: red; font-weight: bold;">R & D</div> <div style="text-align: center;">2016/10/28</div> <div style="text-align: center;">Ball</div> </div>