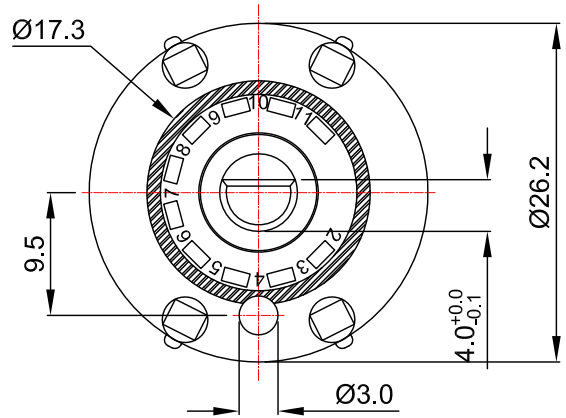
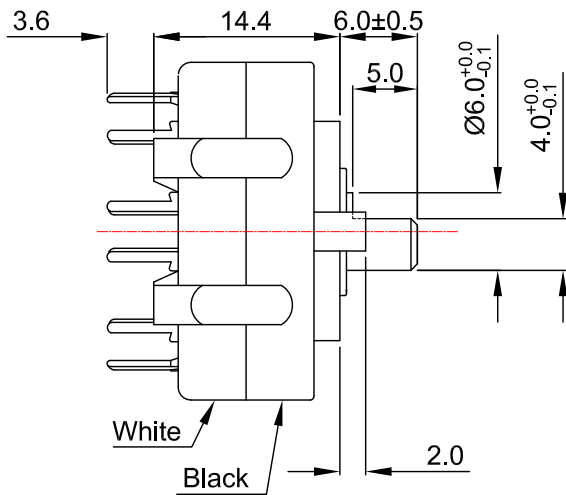


外形图

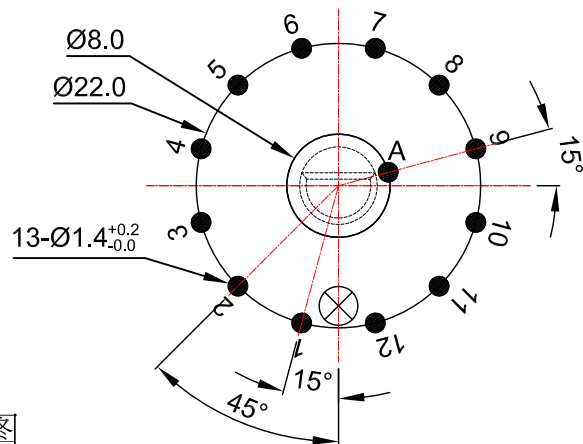
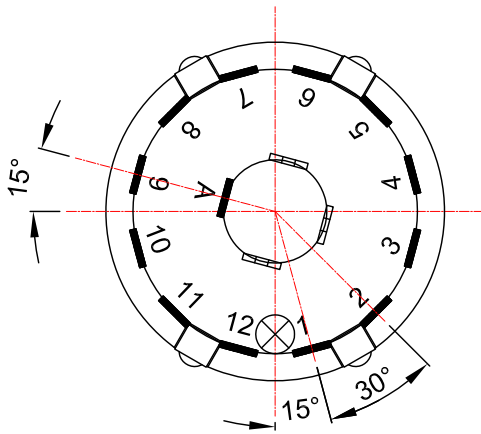
Mechanical Dimensions



Shaft shown in full C.C.W position

安装孔位图

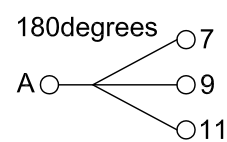
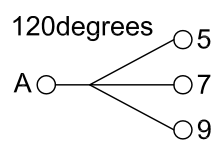
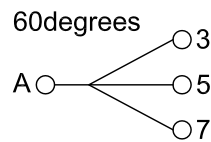
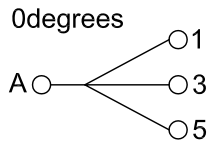
P.C.B. mounting hole detail



接线图

Circuit explanation

Changeover angle 60°



3			PRODUCT NAME	ROTARY SWITCH		
2			MODEL NAME	RS263-6FA1-1-4-3P		
1			APPROVED BY	CHECKED BY	DRAWN BY	
NO	DATE	DESCRIPTION				
DIMENSION	TOLERANCE	SCALE				
$\int \leq 10$	± 0.2	UNIT	mm			
$10 < \int \leq 30$	± 0.5	VER.	A0			
$30 < \int \leq 100$	± 1.0	DATE	2014/10/21			
All Angles	$\pm 5^\circ$					
			R & D 2014/10/21 Eva	R & D 2014/10/21 Sophie	R & D 2014/10/21 Dick	



YU WAH (D G) CO.,LTD

26mm Rotary Switch Specifications

1. 電氣性能 (Electrical Characteristics)					
1.1	切換時序 (Changeover timing)	Non shorting			
1.2	額定功率 (Rated Power)	0.3A			
1.3	最高使用電壓 (Max.Operating Voltage)	125V AC			
1.4	接觸电阻初期 (Contact Resistance-initial performance)	50mΩ Max.			
	接觸电阻壽命后 (Contact Resistance-After lifetime)	200mΩ Max.			
1.5	絕缘阻抗 (Insulation Resistance)	100MΩ Min. at DC 500V			
1.6	耐電壓 (Withstand Voltage)	For 1 minute at: AC 500V			
2. 機械性能 (Mechanical Characteristics)					
2.1	旋轉力矩 (Rotation Torque)	500±200 gf.cm			
2.2	軸的拉、押強度 (Pull-Push Strength)	8 Kgf.cm			
2.3	轉動止檔強度 (Rotational Stop-End Torque)	5 kgf.cm Min			
2.4	切換开关角度 (Changeover angle)	60 dergee			
2.5	回路數 (Poles)	1			
2.6	接觸点(positions)	4x3			
2.7	焊錫耐熱性-手工焊接 (Soldering Heat with Manual)	350°±10°C Max. 3s			
	焊錫耐熱性-浸焊 (Soldering Heat with Dip)	260°±5°C Max. 3s			
3. 耐久性能 (Durability)					
3.1	回轉壽命 (Rotation Life)	10,000 Cycles min.			
3.2	工作溫度 (Operating temperature)	-10°C ~ +70°C			
4.1	外形尺寸圖/曲線特性圖 (Shape size drawing/curve characteristic drawing)	見附頁 Please refer the drawing			
批准		審核		設計	