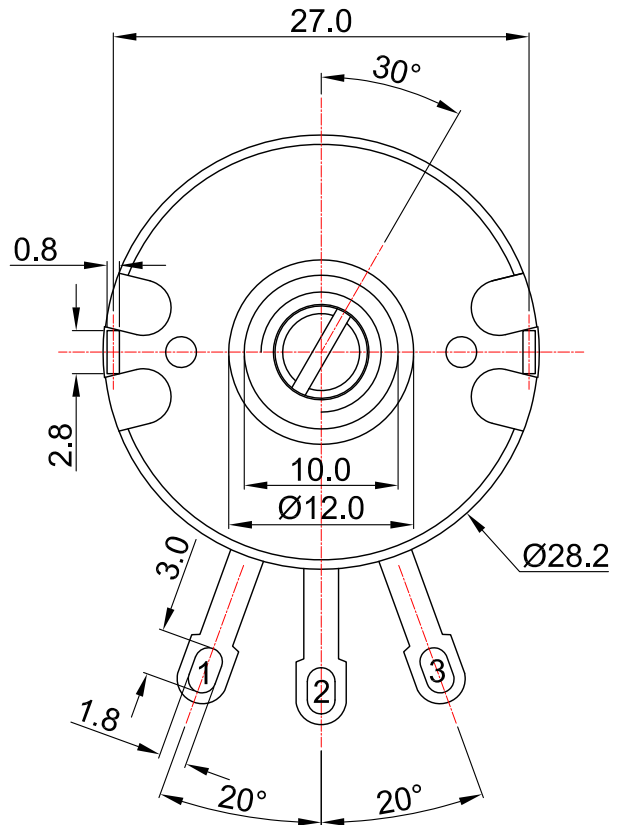
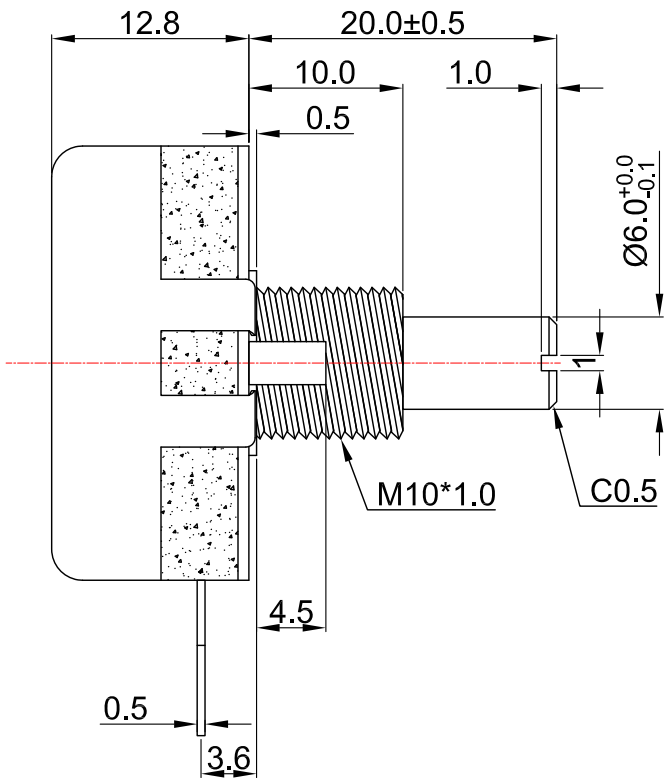
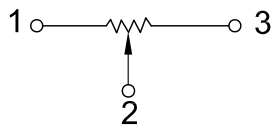


外形图 Mechanical Dimensions

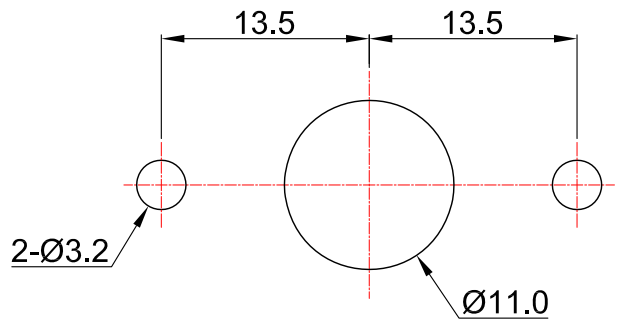


Shaft shown in full
C.C.W. position

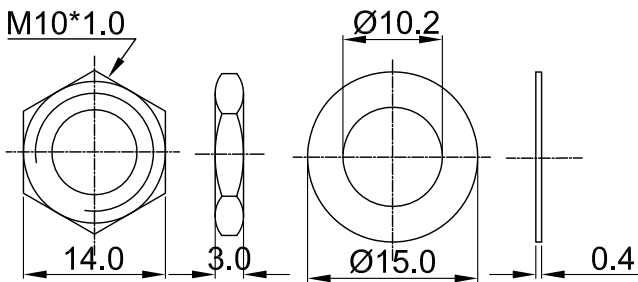
接线图
Circuit Explanation



安装孔位置图
P.C.B. mounting hole detail






attached parts: nut & washer



| | | | | | | | |
|----|-------------------|---------------|-------|--|---|---|------------|
| 3 | | | | PRODUCT NAME | Rotary Potentiometer | | |
| 2 | | | | MODEL NAME | R28N-RA1-2W-value-L90-V46 | | |
| 1 | | | | APPROVED BY | CHECKED BY | DRAWN BY | |
| NO | DATE | DESCRIPTION | | | | | |
| | DIMENSION | TOLERANCE | SCALE | | | | |
| | $l \leq 10$ | ± 0.2 | UNIT | <div style="border: 1px solid black; border-radius: 50%; padding: 5px; width: 40px; margin: 0 auto;"> R & D 2014/4/17 Eva </div> | <div style="border: 1px solid black; border-radius: 50%; padding: 5px; width: 40px; margin: 0 auto;"> R & D 2014/4/17 Sophie </div> | <div style="border: 1px solid black; border-radius: 50%; padding: 5px; width: 40px; margin: 0 auto;"> R & D 2014/4/17 Dick </div> | |
| | $10 < l \leq 30$ | ± 0.5 | VER. | | | | mm |
| | $30 < l \leq 100$ | ± 1.0 | DATE | | | | A0 |
| | All Angles | $\pm 5^\circ$ | | | | | 2013/05/31 |

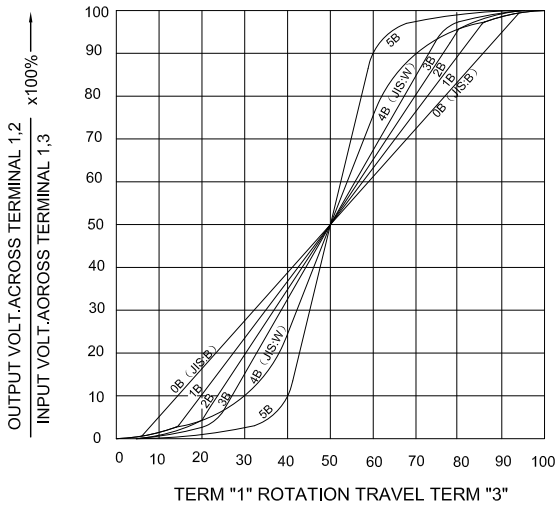
28 mm Rotary Potentiometers Series Specifications

| 1. 電氣性能 (Electrical Characteristics) | | | |
|--------------------------------------|---|---|---|
| 1.1 | 全阻抗值 (Total Resistance) | 1KΩ ~ 2MΩ | |
| 1.2 | 全阻抗值允許偏差 (Total Resistance Tolerance) | ±20% (More than 1 M Ω ±30%) | |
| 1.3 | 電阻隨溫度變化特性 Resistance of temperature change character) | 20°C-75°C:ΔR/R≤±5%, -25°C-20°C:ΔR/R≤±4.5% | |
| 1.4 | 阻值變化特性 (Resistance Taper) | A, B, C, W | |
| 1.5 | 零位阻值 (Residual Resistance) | R≥250KΩ / 0.1 % max. of total Value 250KΩ>R>10KΩ / 20Ω max. 10KΩ≥R / 10Ω max. | |
| 1.6 | 額定功率 (Rated Power) | Linear Taper B: 0.5W Other Taper:0.25W | |
| 1.7 | 最高使用電壓 (Max.Operating Voltage) | 250V AC | |
| 1.8 | 動雜音 (Rotational Noise) | Less Than 47mV | |
| 1.9 | 絕緣阻抗 (Insulation Resistance) | More than 100MΩ at DC 500V | |
| 1.10 | 耐電壓 (Withstand Voltage) | For 1 minute at: AC 2000V | |
| 1.11 | 开关額定功率(Switch Rated Power) | ----- | |
| 1.12 | 同步誤差 (Gang Error) | ----- | |
| 2. 機械性能 (Mechanical Characteristics) | | | |
| 2.1 | 全回轉角度 (Rotation Angle) | 300°±10° | |
| 2.2 | 旋轉力矩 (Rotation Torque) | 20~200gf.cm | |
| 2.3 | 軸的拉、押強度 (Pull-Push Strength) | 6 Kgf.cm | |
| 2.4 | 轉動止檔強度 (Rotational Stop-End Torque) | 5 kgf.cm Min | |
| 2.5 | 开关角度(Switch Working Angel) | ----- | |
| 2.6 | 开关力矩(Switch Working Torque) | ----- | |
| 2.7 | 旋轉定位數目 (Number of Detents(click)) | ----- | |
| 2.8 | 焊錫耐熱性 (Resistance To Soldering Heat) | 260±5°C and less than 3 seconds | |
| 3. 耐久性能 (Durability) | | | |
| 3.1 | 回轉壽命 (Rotation Life) | 50,000 Cycles min. | |
| 3.2 | 工作溫度 (Operating temperature) | -10°C~+60°C | |
| 4.1 | 外形尺寸圖/曲線特性圖 (Shape size drawing/curve characteristic drawing) | 見附頁 Please refer the drawing | |
| 批准 |  | 審核  | 設計  |

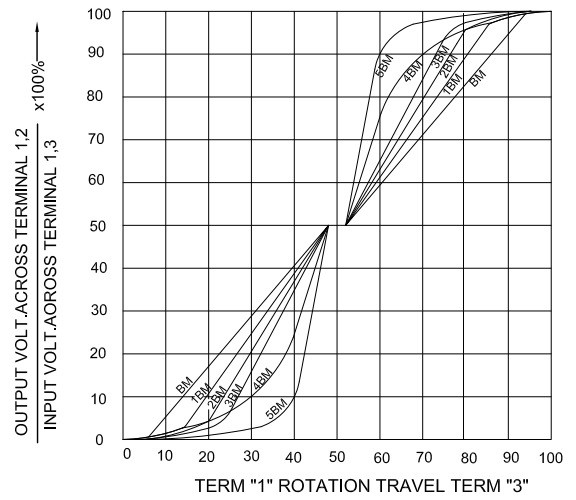
RESISTANCE TAPER



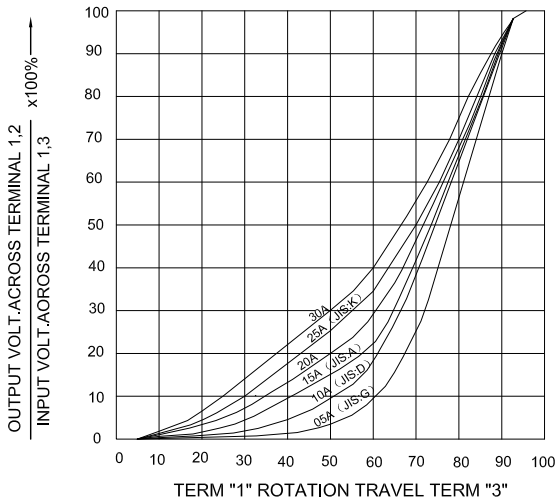
TAPER B SERIES



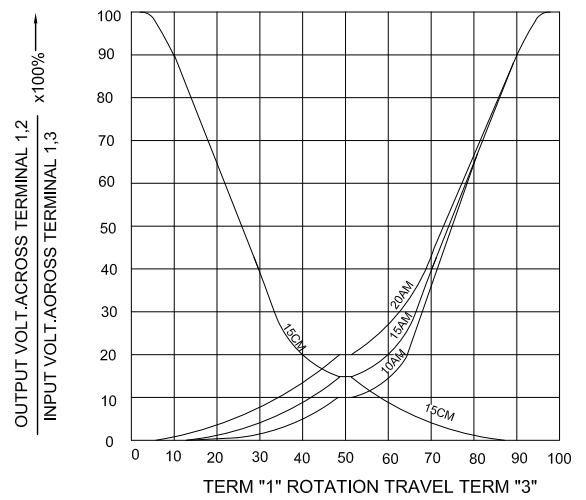
TAPER B WITH 50% TAP



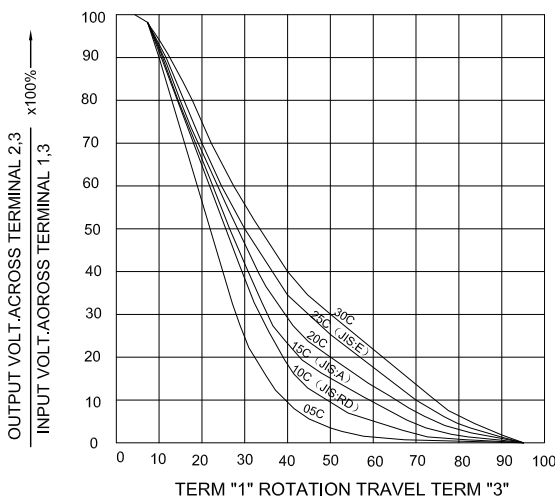
TAPER A SERIES



TAPER A & C WITH 50% TAP



TAPER C SERIES



TAPER M & N SERIES

