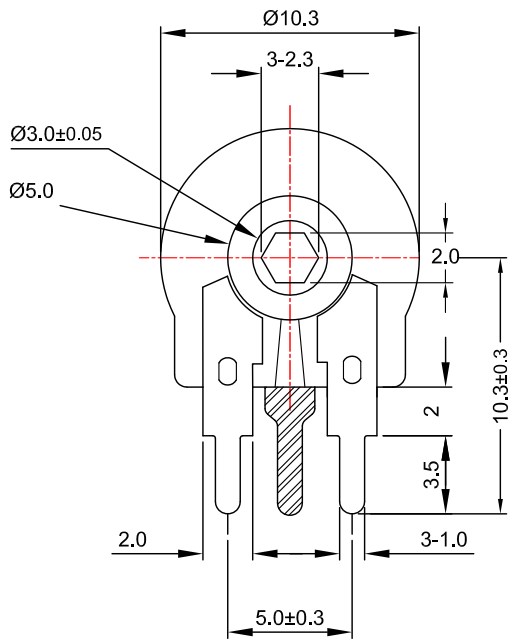
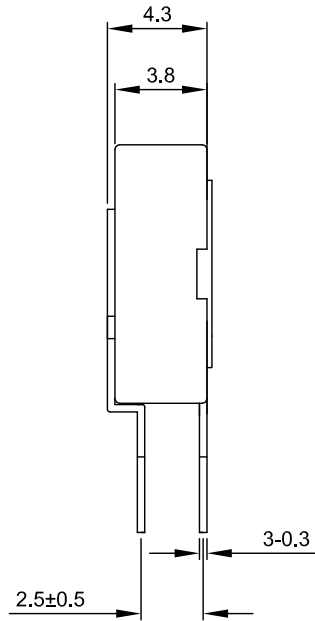


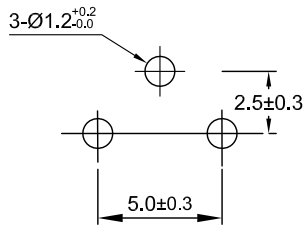
外形图  
Mechanical Dimensions



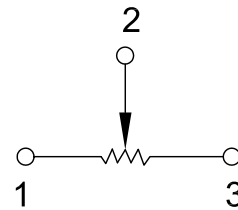
Shaft Shown in full C.C.W. position



安装孔位图  
P.C.B. mounting hole detail



接线图  
Circuit explanation



3			PRODUCT NAME		Semi-fixed Potentiometer		
2			MODEL NAME		SB103-3-value		
1			APPROVED BY		CHECKED BY		DRAWN BY
NO	DATE	DESCRIPTION		2014/10/9		2014/10/9	
DIMENSION		TOLERANCE	SCALE	2014/10/9		2014/10/9	
$\int \leq 10$		$\pm 0.2$	UNIT	Eva		Sophie	
$10 < \int \leq 30$		$\pm 0.5$	VER.	2014/10/9		2014/10/9	
$30 < \int \leq 100$		$\pm 1.0$	DATE	2014/10/9		2014/10/9	
All Angles		$\pm 5^\circ$		Ball			