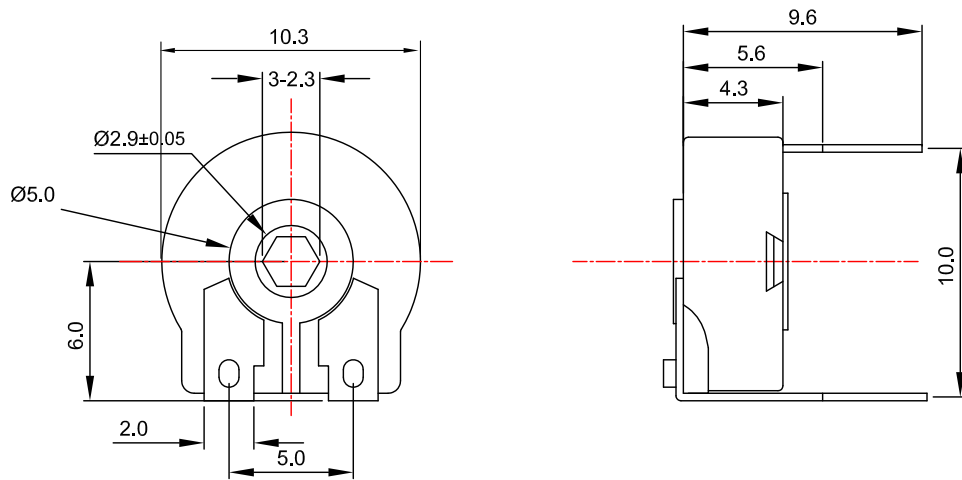
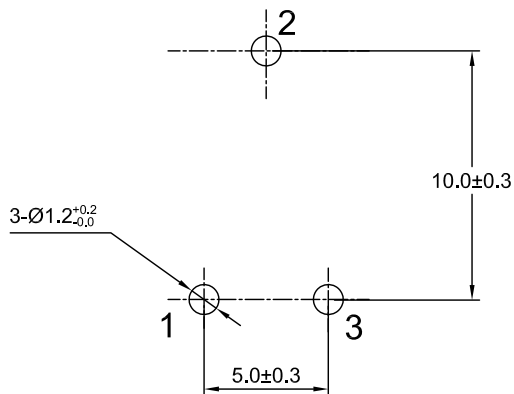


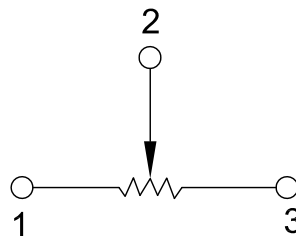
外形图
Mechanical Dimensions



安装孔位图
P.C.B. mounting hole detail



接线图
Circuit explanation



3			PRODUCT NAME		Semi-fixed Potentiometer		
2			MODEL NAME		SB105-3-value		
1			APPROVED BY		CHECKED BY		DRAWN BY
NO	DATE	DESCRIPTION		2014/10/9		2014/10/9	
DIMENSION		TOLERANCE	SCALE	2014/10/9		2014/10/9	
$l \leq 10$		± 0.2	UNIT	Eva		Sophie	
$10 < l \leq 30$		± 0.5	VER.	2014/10/9		2014/10/9	
$30 < l \leq 100$		± 1.0	DATE	2014/10/9		2014/10/9	
All Angles		$\pm 5^\circ$		Ball			