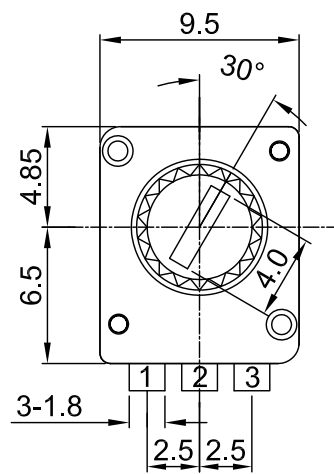
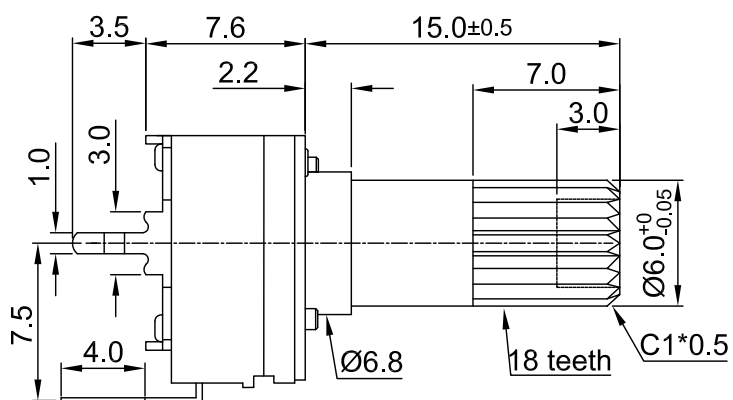
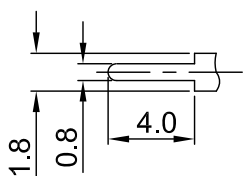


# 外形图 Mechanical Dimensions

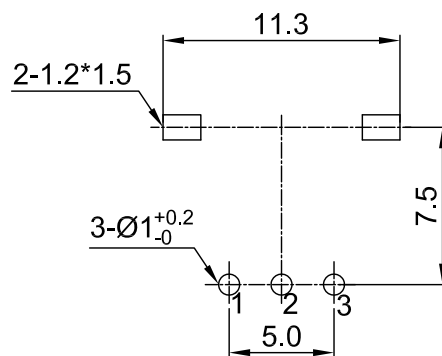
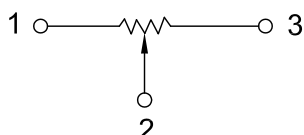


Shaft shown in full  
C.C.W. position



接线图  
Circuit explanation

安装孔位置图  
P.C.B. mounting hole detail



3				PRODUCT NAME	Rotary Potentiometer	
2				MODEL NAME	RB0913N-2D1-value	
1	NO	DATE	DESCRIPTION	APPROVED BY	CHECKED BY	DRAWN BY
			DIMENSION			
			TOLERANCE			
			SCALE			
			UNIT			
			VER.			
			DATE			
			All Angles			

**R & D**

2014-3-6

Eva

**R & D**

2014-3-6

Sophie

**R & D**

2014-3-6

Ball