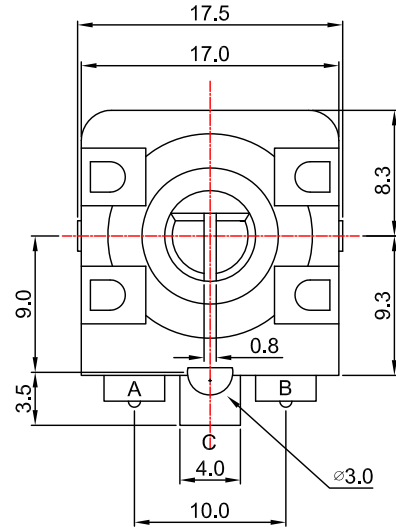
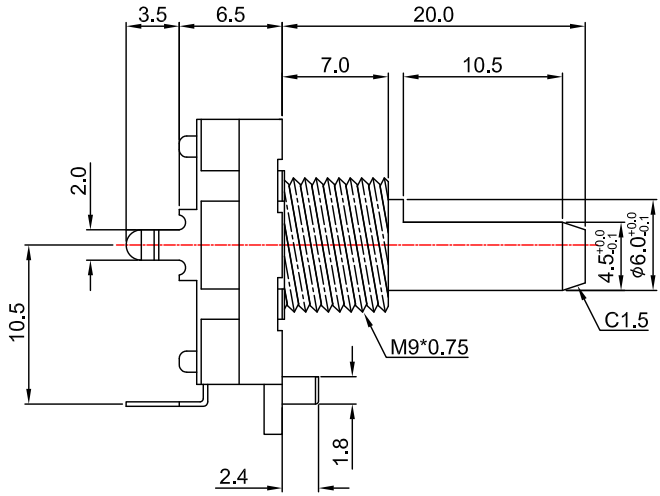


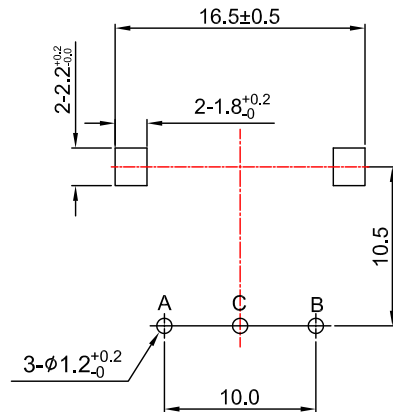
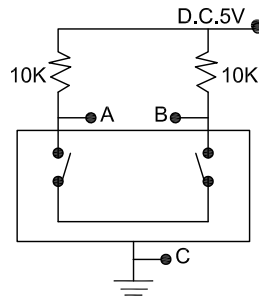
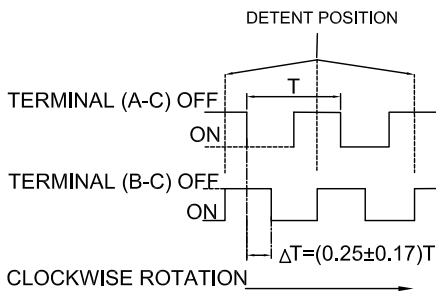
外形图 Mechanical Dimensions



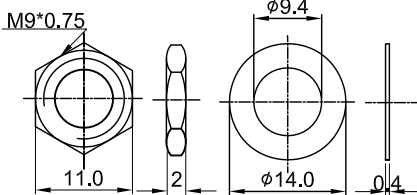
输出信号
Output signal format

接线图
Circuit explanation

安装孔位图
P.C.B. mounting hole detail



Attached parts: nut & washer






● Detent & Pulse type

| Y | Detent | PULSE |
|--------|--------|-------|
| 12C12P | 12 | 12 |
| 24C12P | 24 | 12 |
| 24C24P | 24 | 24 |

| 3 | | | PRODUCT NAME | Switch Encoder | | |
|----|------|----------------------|---------------|--------------------|------------|-----------|
| 2 | | | MODEL NAME | RB162EC-20F7D1-C-P | | |
| 1 | | | | | | |
| NO | DATE | DESCRIPTION | | APPROVED BY | CHECKED BY | DRAWN BY |
| | | DIMENSION | TOLERANCE | SCALE | | |
| | | $\int \leq 10$ | ± 0.2 | UNIT | | |
| | | $10 < \int \leq 30$ | ± 0.5 | VER. | | |
| | | $30 < \int \leq 100$ | ± 1.0 | DATE | | |
| | | All Angles | $\pm 5^\circ$ | | | |
| | | | | 2016-5-30 | 2016-5-30 | 2016-5-30 |
| | | | | Eva | Sophie | Ball |

一、旋轉式編碼器系列技術規格書

Rotary Series Encoders Technic Specifications

| 1. 機械性能 (Mechanical Characteristics) | | | | | |
|--------------------------------------|---|--|--------|---|---|
| 序号 | 項目 | | | 特性 | |
| 1.1 | 全回轉角度 (Total rotational angle) | | | 360° | |
| 1.2 | 定位點力矩(Detent torque) | | | 1-20mN.m(10-200gf.cm) | |
| 1.3 | 軸的推拉強度 (Push-pull strength of shaft) | | | 6KGF | |
| 1.4 | 定位點數(Number of detent) | | | 24 detents | |
| 1.5 | 開關動作力(Operation fore of switch) | | | 0.5kgf max. | |
| 1.6 | 軸擺動 (Shaft wobble) | | | 5°L/30mm p-p max. | |
| 2. 電氣性能 (Electrical Characteristics) | | | | | |
| 2.1 | 額定值 (Rating) | | | 5V DC,10mA | |
| 2.2 | 耐電壓 (Withstand Voltage) | | | For 1minute or more at:AC100V | |
| 2.3 | 絕緣電阻 (Insulation resistance) | | | 10MΩ Min | |
| 2.4 | 接觸電阻 (Contact resistance) | | | 500Ω Max. | |
| 2.5 | 分解能力 (Resolution) | | | 24個脈沖/360° (24pulses/360 for each phase) | |
| 2.6 | 相差位 (Phase difference) | | | 0.15T±0.1T(Must be measured without detent) | |
| 3. 耐久性能 (Endurance Characteristics) | | | | | |
| 3.1 | 回轉壽命 (Rotational life) | | | 5,000cycles | |
| | | | | | |
| 批 准 |  | | 審 核 |  | |
| | | | | 設 計 |  |