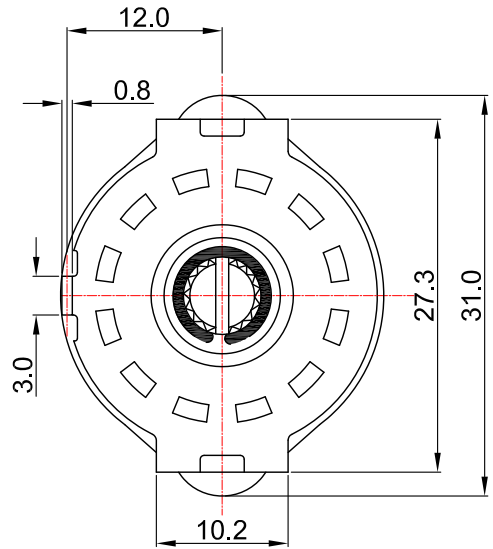
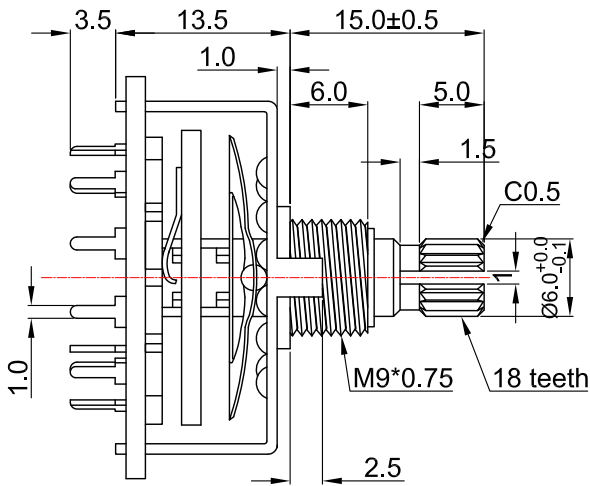
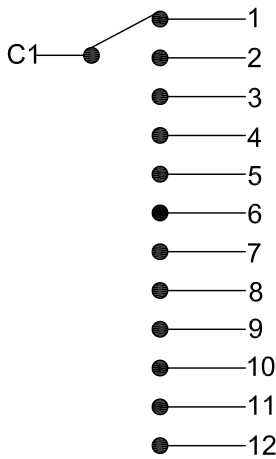


外形图 Mechanical Dimensions

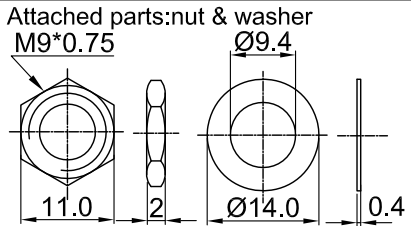
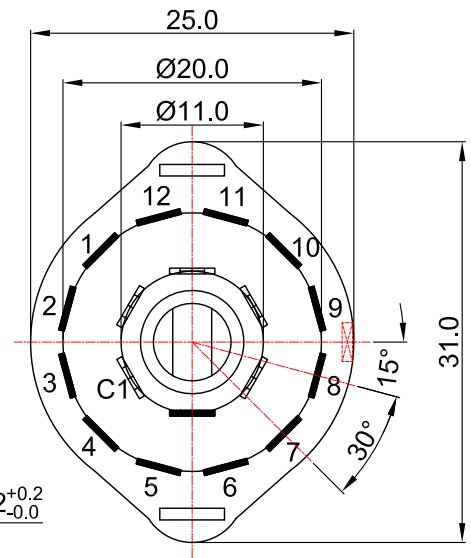
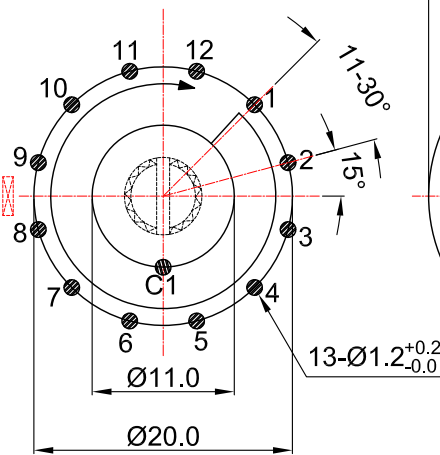


Shaft shown in full
C.C.W position

接线图 Circuit explanation



安装孔位图 P.C.B. mounting hole detail



3				PRODUCT NAME	Rotary Switch	
2				MODEL NAME	RS25-15KQA1-1-1-12P-V38	
1				APPROVED BY	CHECKED BY	DRAWN BY
NO	DATE	DESCRIPTION				
	DIMENSION	TOLERANCE	SCALE			
	$f \leq 10$	± 0.2	UNIT	mm		
	$10 < f \leq 30$	± 0.5	VER.	A0		
	$30 < f \leq 100$	± 1.0	DATE	2014/9/5		
	All Angles	$\pm 5^\circ$		R & D 2014/9/5 Eva	R & D 2014/9/5 Sophie	R & D 2014/9/5 Dick

25mm Rotary Switch Specifications

1. 電氣性能 (Electrical Characteristics)					
1.1	切換時序 (Changeover timing)	Shorting <input type="checkbox"/> / Non shorting <input type="checkbox"/>			
1.2	額定功率 (Rated Power)	0.5A			
1.3	最高使用電壓 (Max. Operating Voltage)	30V DC			
1.4	接觸電阻初期 (Contact Resistance-initial performance)	50mΩ Max.			
	接觸電阻壽命后 (Contact Resistance-After lifetime)	200mΩ Max.			
1.5	絕緣阻抗 (Insulation Resistance)	100MΩ Min. at DC 500V			
1.6	耐電壓 (Withstand Voltage)	For 1 minute at: AC 500V			
2. 機械性能 (Mechanical Characteristics)					
2.1	旋轉力矩 (Rotation Torque)	1±0.5kgf.cm			
2.2	軸的拉、押強度 (Pull-Push Strength)	10 Kgf.cm			
2.3	轉動止檔強度 (Rotational Stop-End Torque)	5 kgf.cm			
2.4	切換開關角度 (Changeover angle)	30°			
2.5	回路數 (Poles)	1			
2.6	接觸點 (positions)	12			
2.7	焊錫耐熱性-手工焊接 (Soldering Heat with Manual)	350±10°C Max. 3s			
	焊錫耐熱性-浸焊 (Soldering Heat with Dip)	260±5°C Max. 3s			
3. 耐久性能 (Durability)					
3.1	回轉壽命 (Rotation Life)	10,000 Cycles min.			
3.2	工作溫度 (Operating temperature)	-10°C ~ +70°C			
4.1	外形尺寸圖/曲線特性圖 (Shape size drawing/curve characteristic drawing)	見附頁 Please refer the drawing			
批准		審核		設計	