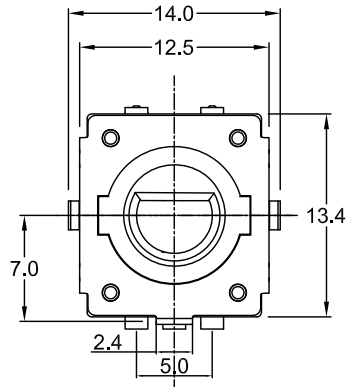
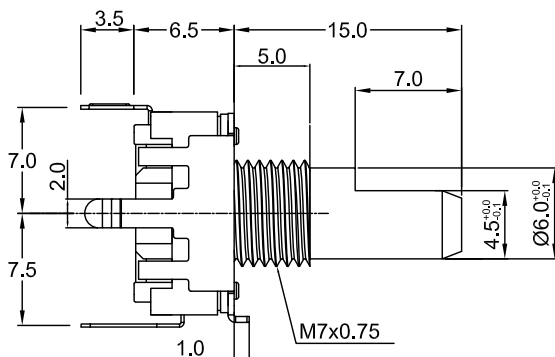
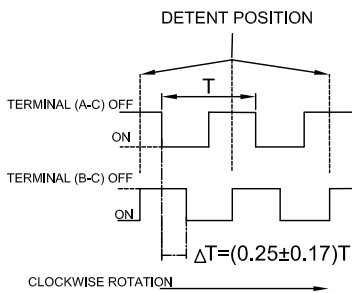


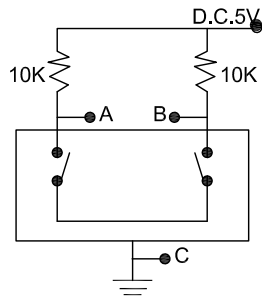
# 外形图 Mechanical Dimensions



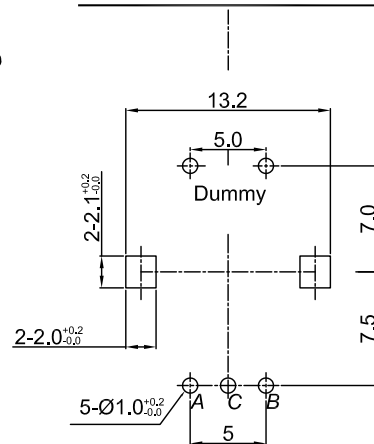
输出信号  
Output signal format



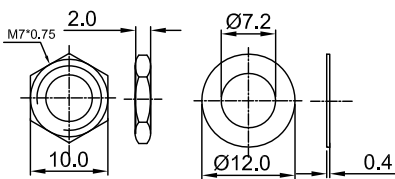
接线图  
Circuit explanation



安装孔位图  
P.C.B. mounting hole detail



Attached parts: nut&washer



● Detent & Pulse type

Y	Detent	PULSE
12C12P	12	12
24C12P	24	12
24C24P	24	24

3			PRODUCT NAME	Encoder		
2			MODEL NAME	R126EC-15F5D1-C-P		
1			APPROVED BY	CHECKED BY	DRAWN BY	
NO	DATE	DESCRIPTION				
		DIMENSION	TOLERANCE	SCALE		
		$l \leq 10$	$\pm 0.2$	UNIT	mm	
		$10 < l \leq 30$	$\pm 0.5$	VER.	A0	
		$30 < l \leq 100$	$\pm 1.0$	DATE	2014/10/13	
		All Angles	$\pm 5^\circ$			
				