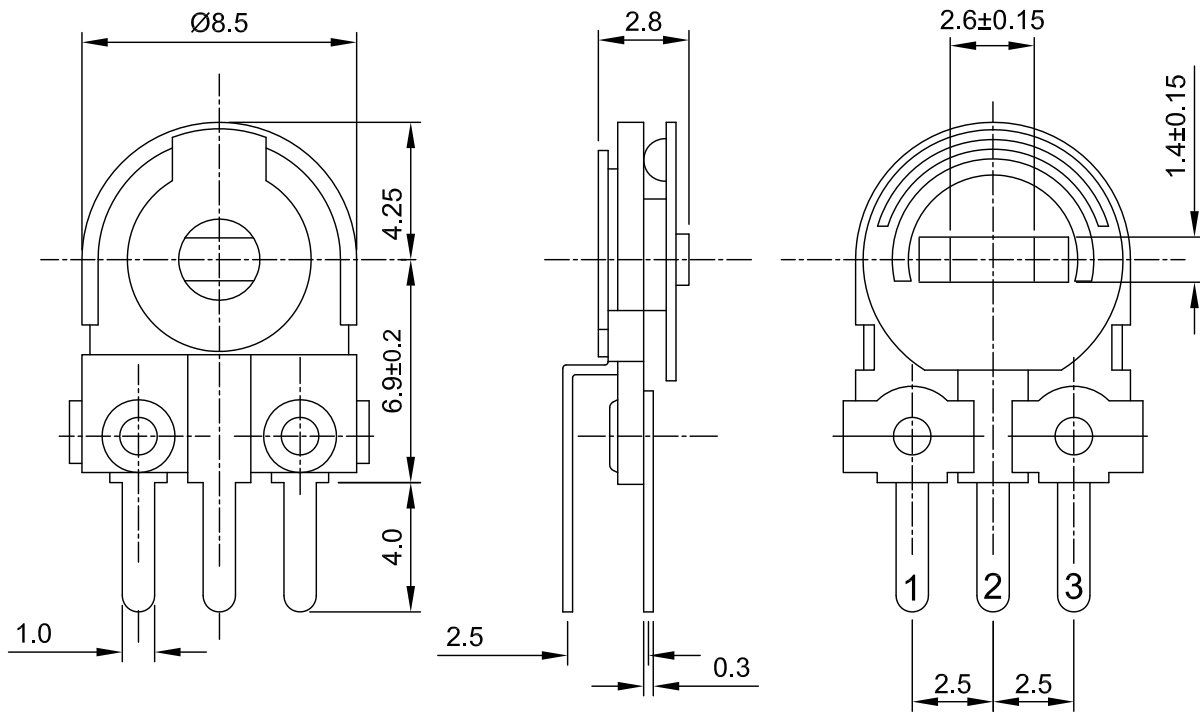
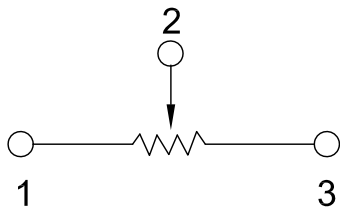


# 外形图

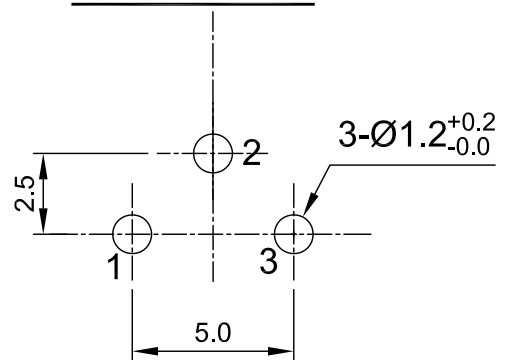
## Mechanical Dimensions



接线图  
Circuit Explanation



安装孔位置图  
Mounting Hole



$\triangle 3$			PRODUCT NAME	Semi-Fixed Potentiometer		
$\triangle 2$			MODEL NAME	SR083-2-value		
$\triangle 1$			APPROVED BY	CHECKED BY	DRAWN BY	
NO	DATE	DESCRIPTION				
DIMENSION	TOLERANCE	SCALE				
$\int \leq 10$	$\pm 0.2$	UNIT	mm			
$10 < \int \leq 30$	$\pm 0.5$	VER.	A0			
$30 < \int \leq 100$	$\pm 1.0$	DATE	2014-8-27			
All Angles	$\pm 5^\circ$					
			