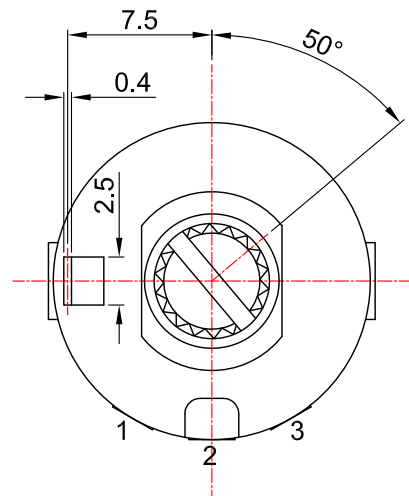
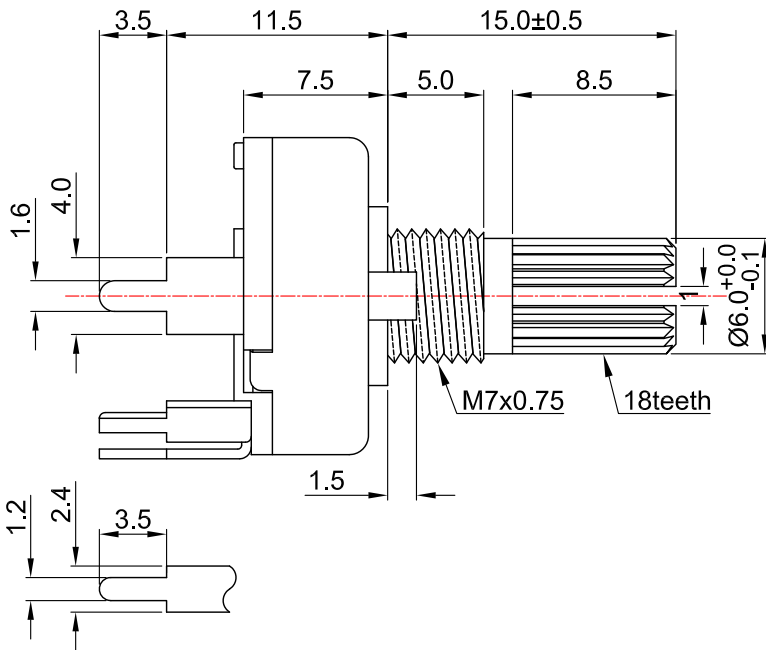
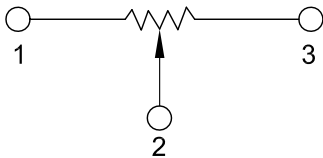


外形图 Mechanical Dimensions

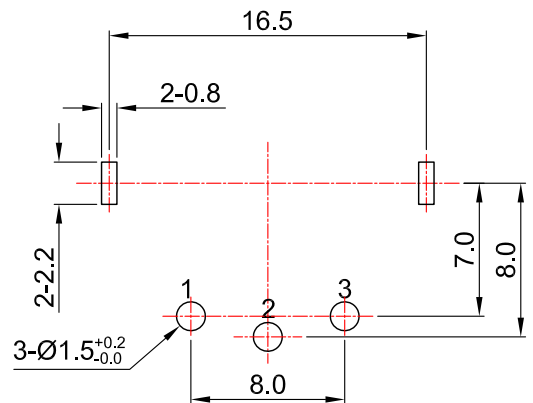


Shaft shown in full C.C.W. position

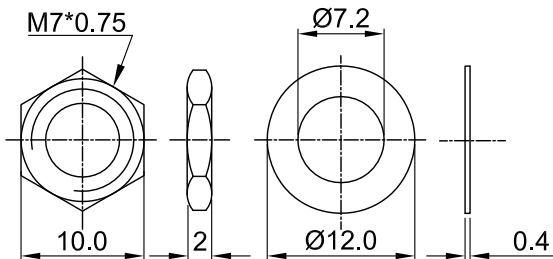
接线图 Circuit explanation



安装孔位置图 P.C.B. mounting hole detail












Attached parts: nut & washer



3			PRODUCT NAME	Rotary Potentiometer		
2			MODEL NAME	RD171N-2D1-Value		
NO	DATE	DESCRIPTION	APPROVED BY	CHECKED BY	DRAWN BY	
		DIMENSION				
		TOLERANCE				
		SCALE				
		UNIT				
		VER.				
		DATE				
		All Angles				

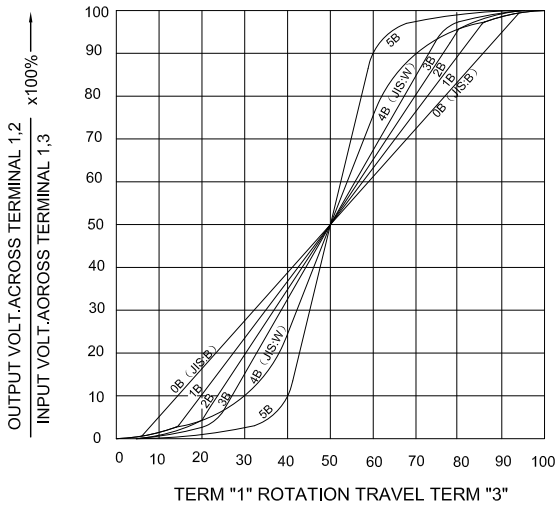
17 mm Rotary Potentiometers series Specifications

1. 電氣性能 (Electrical Characteristics)						
1.1	全阻抗值 (Total Resistance) 1KΩ ~ 2MΩ					
1.2	全阻抗值允許偏差 (Total Resistance Tolerance) ±20% (More than 1 M Ω ±30%)					
1.3	電阻隨溫度變化特性 Resistance of temperature change character) 20°C-75°C:ΔR/R≤±5%, -25°C-20°C:ΔR/R≤±4.5%					
1.4	阻值變化特性 (Resistance Taper) A, B, C, D					
1.5	零位阻值 (Residual Resistance) R≥250KΩ / 0.1 % max. of total Value 250KΩ>R>10KΩ / 20Ω max. 10KΩ≥R / 10Ω max.					
1.6	額定功率 (Rated Power) Linear Taper B: 0.1W Other Taper:0.05W					
1.7	最高使用電壓 (Max.Operating Voltage) 200V AC					
1.8	動雜音 (Rotational Noise) Less Than 100mV					
1.9	絕緣阻抗 (Insulation Resistance) More than 50MΩ at DC 500V					
1.10	耐電壓 (Withstand Voltage) For 1 minute at: AC 500V					
1.11	開關額定功率(Switch Rated Power) -----					
1.12	同步誤差 (Gang Error) -----					
2. 機械性能 (Mechanical Characteristics)						
2.1	全回轉角度 (Rotation Angle) 260°±10°					
2.2	旋轉力矩 (Rotation Torque) 20~200gf.cm					
2.3	軸的拉、押強度 (Pull-Push Strength) Pull 3Kgf.cm / Push 5 Kgf.cm					
2.4	轉動止檔強度 (Rotational Stop-End Torque) 3 kgf.cm Min					
2.5	開關角度(Switch Working Angel) -----					
2.6	開關力矩(Switch Working Torque) -----					
2.7	旋轉定位數目 (Number of Detents(click)) no detent					
2.8	焊錫耐熱性 (Resistance To Soldering Heat) 260±5°C and less than 3 seconds					
3. 耐久性能 (Durability)						
3.1	回轉壽命 (Rotation Life) 10,000 Cycles min.					
3.2	工作溫度 (Operating temperature) -10°C ~ +70°C					
4.1	外形尺寸圖/曲線特性圖 (Shape size drawing/curve characteristic drawing) 見附頁 Please refer the drawing					
批准	<table border="0" style="width: 100%; text-align: center;"> <tr> <td style="width: 25%;"></td> <td style="width: 10%;">審核</td> <td style="width: 25%;"></td> <td style="width: 10%;">設計</td> <td style="width: 25%;"></td> </tr> </table>		審核		設計	
	審核		設計			

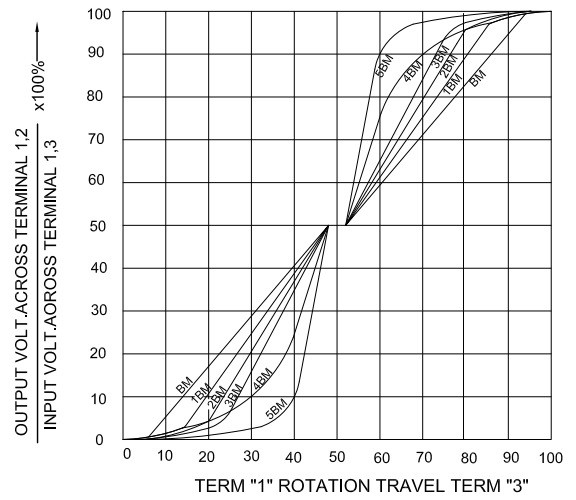
RESISTANCE TAPER



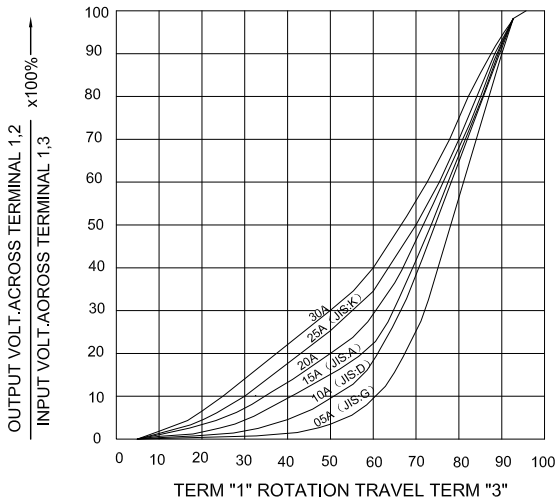
TAPER B SERIES



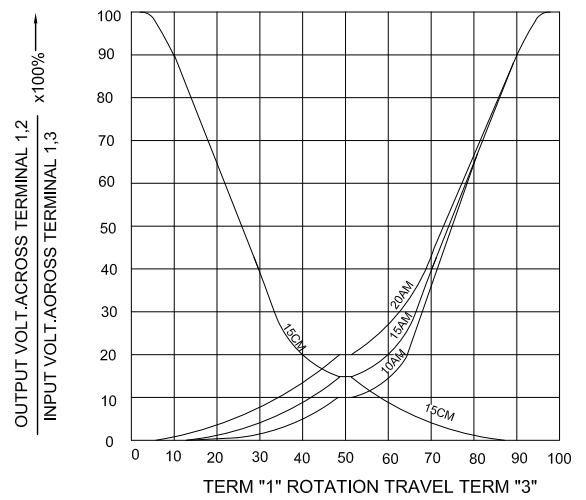
TAPER B WITH 50% TAP



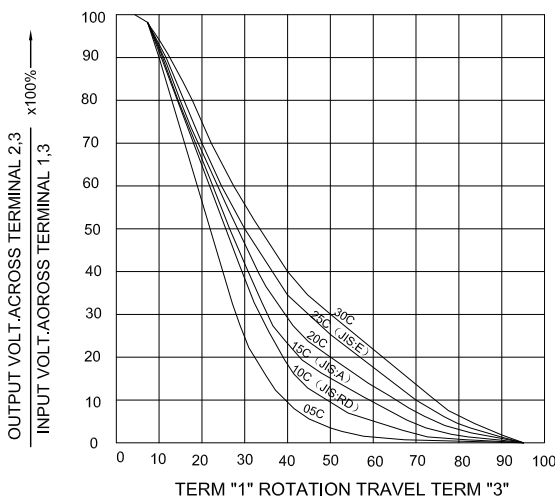
TAPER A SERIES



TAPER A & C WITH 50% TAP



TAPER C SERIES



TAPER M & N SERIES

