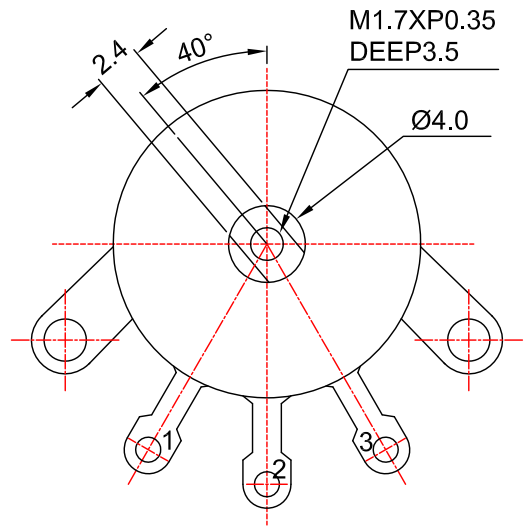
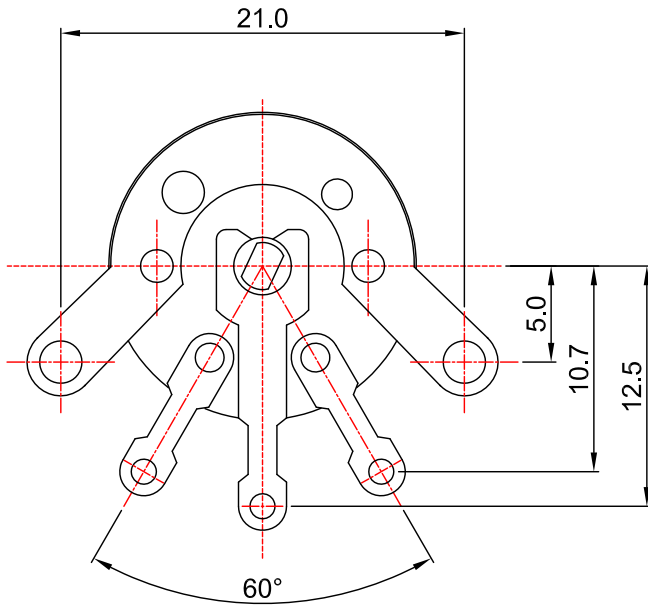
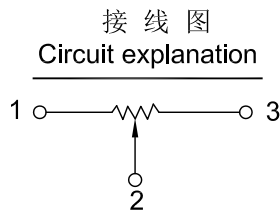
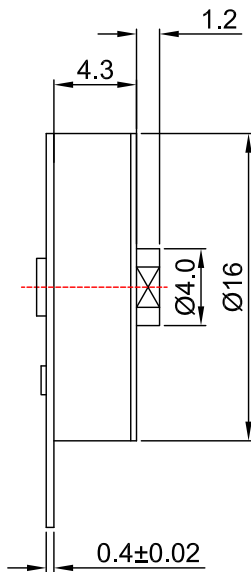


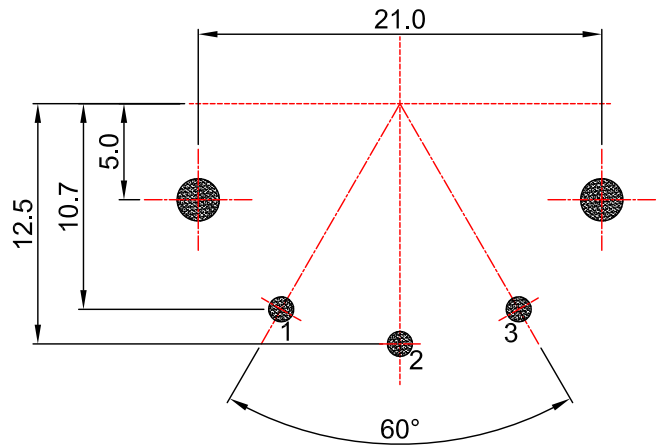
# 外形图 Mechanical Dimensions



Shaft shown in full  
C.C.W. position



安装孔位置图  
P.C.B. mounting hole detail



3				PRODUCT NAME	Rotary Potentiometer	
2				MODEL NAME	R167N-1.2A1-Value	
1	NO	DATE	DESCRIPTION	APPROVED BY	CHECKED BY	DRAWN BY
			DIMENSION			
			TOLERANCE			
			SCALE			
			UNIT			
			VER.			
			DATE			
			All Angles			

<p style="color: red; font-weight: bold; font-size: 1.2em;">R &amp; D</p> <p>2015/7/17</p> <p>Eva</p>	<p style="color: red; font-weight: bold; font-size: 1.2em;">R &amp; D</p> <p>2015/7/17</p> <p>sophie</p>	<p style="color: red; font-weight: bold; font-size: 1.2em;">R &amp; D</p> <p>2015/7/17</p> <p>Ball</p>
---	--	--

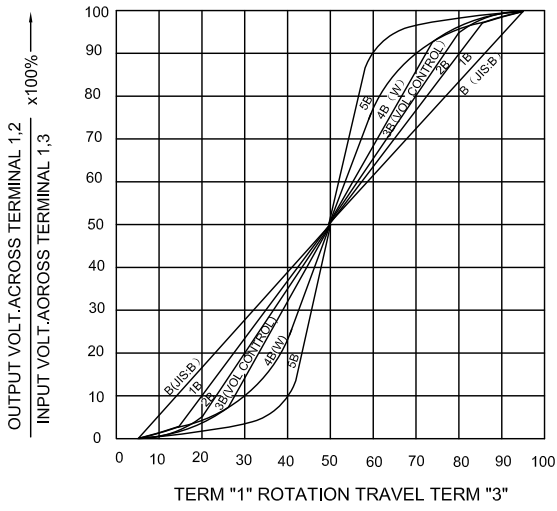
# 16 mm Rotary Potentiometers series Specifications

1. 電氣性能 (Electrical Characteristics)						
1.1	全阻抗值 (Total Resistance) <b>500Ω ~ 1MΩ</b>					
1.2	全阻抗值允許偏差 (Total Resistance Tolerance) $\pm 20\%$ ( More than 1 M Ω $\pm 30\%$ )					
1.3	電阻隨溫度變化特性 Resistance of temperature change character) $20^{\circ}\text{C}-75^{\circ}\text{C}:\Delta R/R\leq\pm 5\%$ , $-25^{\circ}\text{C}-20^{\circ}\text{C}:\Delta R/R\leq\pm 4.5\%$					
1.4	阻值變化特性 (Resistance Taper) <b>A, B, C, D</b>					
1.5	零位阻值 (Residual Resistance) $R\geq 250\text{K}\Omega / 0.1\% \text{ max. of total Value}$ $250\text{K}\Omega > R > 10\text{K}\Omega / 20\% \text{ max.}$ $10\text{K}\Omega \geq R / 10\% \text{ max.}$					
1.6	額定功率 (Rated Power) Linear Taper B: 0.1W Other Taper:0.05W					
1.7	最高使用電壓 (Max.Operating Voltage) 150V AC					
1.8	動雜音 (Rotational Noise) Less Than 100mV					
1.9	絕緣阻抗 (Insulation Resistance) More than 50MΩ at DC 500V					
1.10	耐電壓 (Withstand Voltage) For 1 minute at: AC 500V					
1.11	开关额定功率(Switch Rated Power) -----					
1.12	同步誤差 (Gang Error) -----					
2. 機械性能 (Mechanical Characteristics)						
2.1	全回轉角度 (Rotation Angle) $260^{\circ}\pm 10^{\circ}$					
2.2	旋轉力矩 (Rotation Torque) 20~200gf.cm					
2.3	軸的拉、押強度 (Pull-Push Strength) 1 Kgf.cm					
2.4	轉動止檔強度 (Rotational Stop-End Torque) 2 kgf.cm Min					
2.5	开关角度(Switch Working Angel) -----					
2.6	开关力矩(Switch Working Torque) -----					
2.7	旋轉定位數目 (Number of Detents(click) no detent					
2.8	焊錫耐熱性 (Resistance To Soldering Heat) $260\pm 5^{\circ}\text{C}$ and less than <u>3</u> seconds					
3. 耐久性能 (Durability)						
3.1	回轉壽命 (Rotation Life) 10,000 Cycles min.					
3.2	工作溫度 (Operating temperature) $-10^{\circ}\text{C}\sim +70^{\circ}\text{C}$					
4.1	外形尺寸圖/曲線特性圖 (Shape size drawing/curve characteristic drawing) 見附頁 Please refer the drawing					
批准	<table border="0" style="width: 100%; text-align: center;"> <tr> <td style="width: 25%;"></td> <td style="width: 10%;">審核</td> <td style="width: 25%;"></td> <td style="width: 10%;">設計</td> <td style="width: 25%;"></td> </tr> </table>		審核		設計	
	審核		設計			

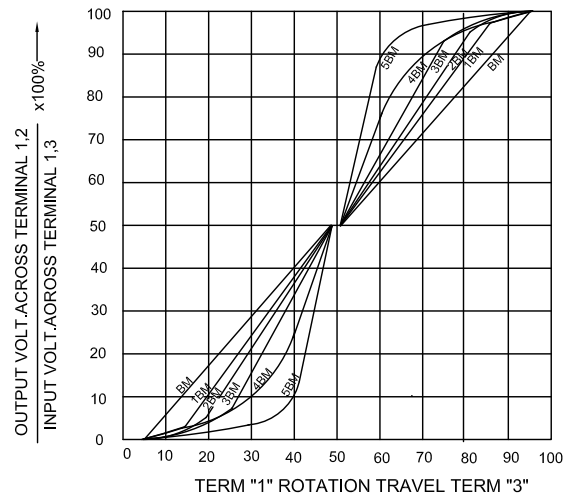
# RESISTANCE TAPER



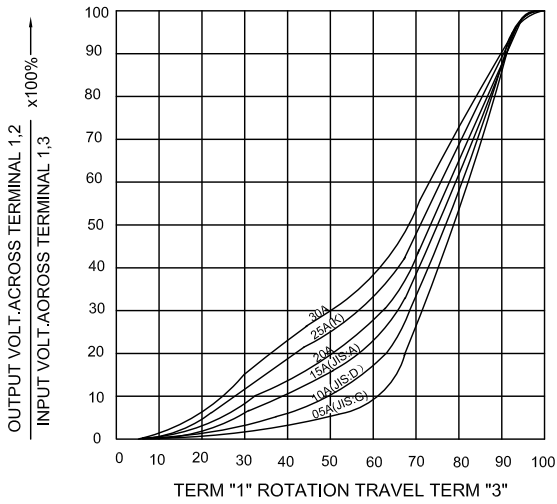
### TAPER B SERIES



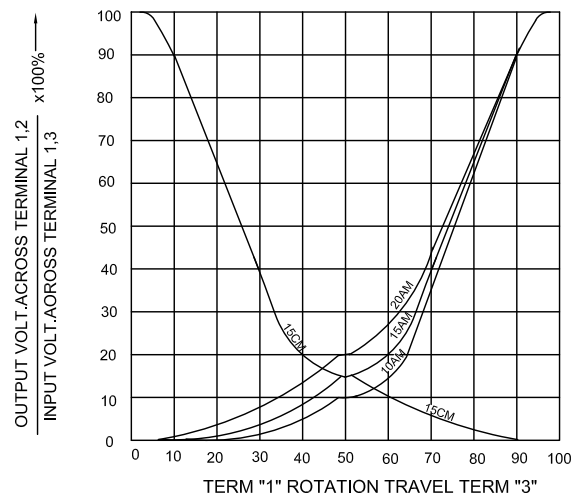
### TAPER B WITH 50% TAP



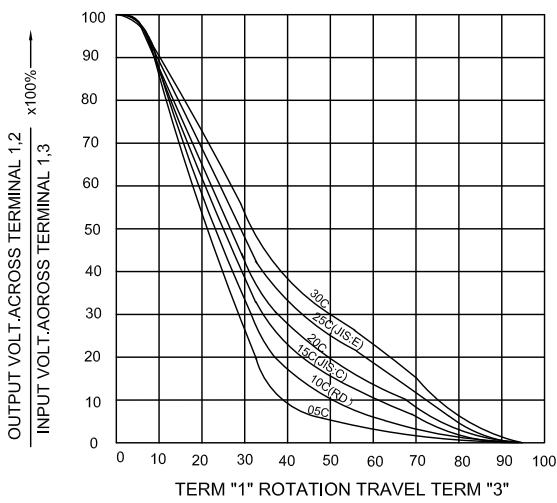
### TAPER A SERIES



### TAPER A & C WITH 50% TAP



### TAPER C SERIES



### TAPER M & N SERIES

