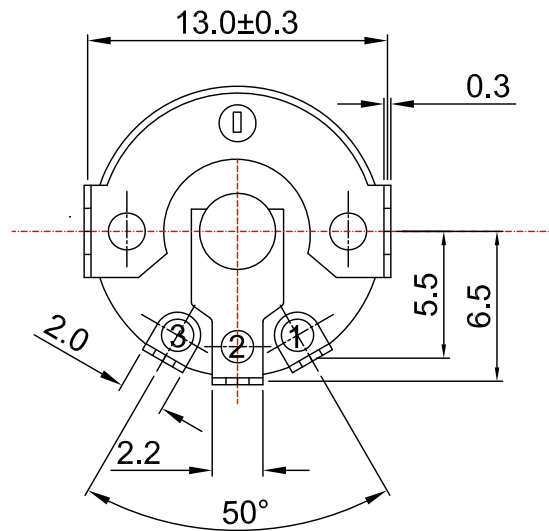
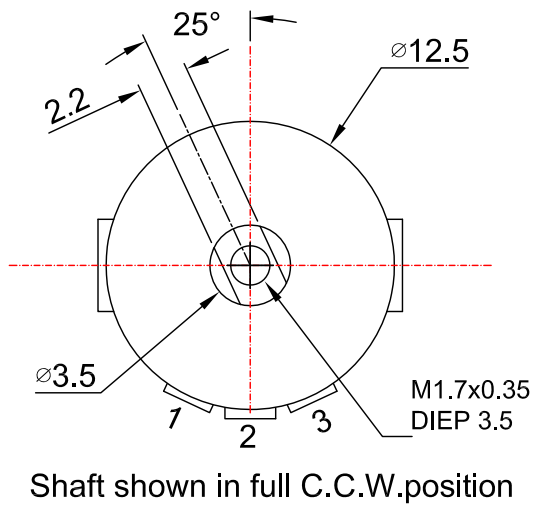
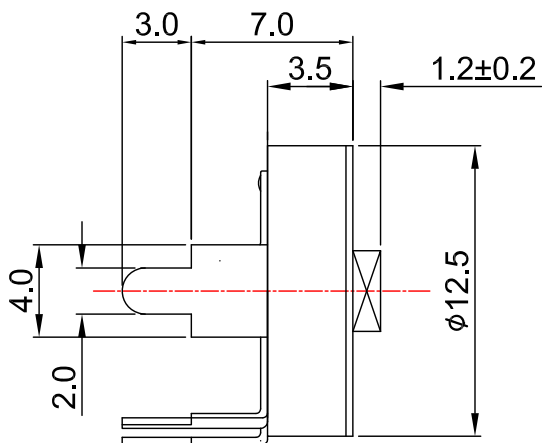
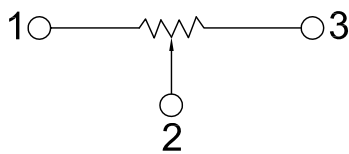


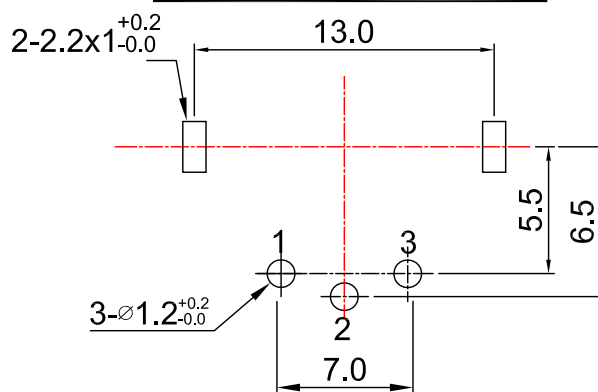
# 外形图 Mechanical Dimensions






接线图  
Circuit explanation

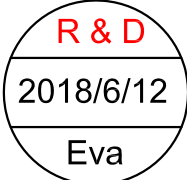




安装孔位置图  
P.C.B. mounting hole detail



3				PRODUCT NAME	Rotary Potentiometer		
2				MODEL NAME	R127N-1.2D1-Value		
1				APPROVED BY	CHECKED BY	DRAWN BY	
NO	DATE	DESCRIPTION					
		DIMENSION	TOLERANCE	SCALE			
		$\int \leq 10$	$\pm 0.2$	UNIT			mm
		$10 < \int \leq 30$	$\pm 0.5$	VER.			A0
		$30 < \int \leq 100$	$\pm 1.0$	DATE			2014-12-4
		All Angles	$\pm 5^\circ$				
							

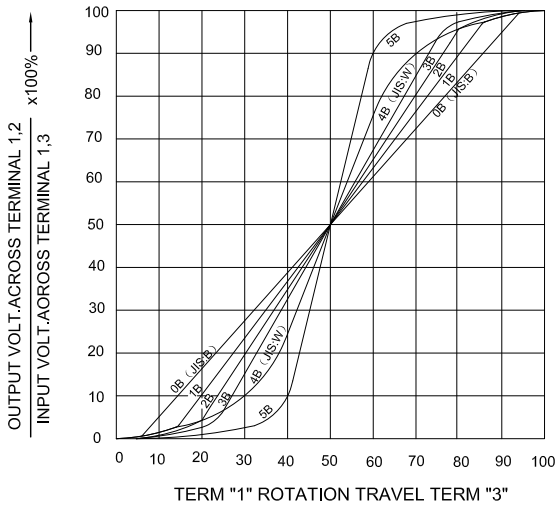
# 12 mm Rotary Series Potentiometers Specifications

1.電氣性能 (Electrical Characteristics)					
1.1	全阻抗值 (Total Resistance)		500Ω ~ 1MΩ		
1.2	全阻抗值允許偏差 (Total Resistance Tolerance)		±20% ( More than 1 M Ω ±30%)		
1.3	電阻隨溫度變化特性 Resistance of temperature change character)		20°C-75°C:ΔR/R≤±5%, -25°C-20°C:ΔR/R≤±4.5%		
1.4	阻值變化特性 (Resistance Taper)		A, B, C, W		
1.5	零位阻值 (Residual Resistance)		R≥250KΩ / 0.1 % max. of total Value 250KΩ>R>10KΩ / 20Ω max. 10KΩ≥R / 10Ω max.		
1.6	額定功率 (Rated Power)		Linear Taper B: 0.1W Other Taper:0.05W		
1.7	最高使用電壓 (Max.Operating Voltage)		150V AC		
1.8	動雜音 (Rotational Noise)		Less Than 100mV		
1.9	絕緣阻抗 (Insulation Resistance)		More than 50MΩ at DC 500V		
1.10	耐電壓 (Withstand Voltage)		For 1 minute at: AC 500V		
1.11	開關額定功率(Switch Rated Power)		-----		
1.12	同步誤差 (Gang Error)		-----		
2.機械性能 (Mechanical Characteristics)					
2.1	全回轉角度 (Rotation Angle)		230°±10°		
2.2	旋轉力矩 (Rotation Torque)		20~150gf.cm		
2.3	軸的拉、押強度 (Pull-Push Strength)		1 Kgf.cm		
2.4	轉動止檔強度 (Rotational Stop-End Torque)		2 kgf.cm Min		
2.5	開關角度(Switch Working Angel)		-----		
2.6	開關力矩(Switch Working Torque)		-----		
2.7	旋轉定位數目 (Number of Detents(click))		no detent		
2.8	焊錫耐熱性 (Resistance To Soldering Heat)		260±5°C and less than 3 seconds		
3.耐久性能 (Durability)					
3.1	回轉壽命 (Rotation Life)		10,000 Cycles min.		
3.2	工作溫度 (Operating temperature)		-10°C~+70°C		
4.1	外形尺寸圖/曲線特性圖 (Shape size drawing/curve characteristic drawing)		見附頁 Please refer the drawing		
批 准		審 核		設 計	

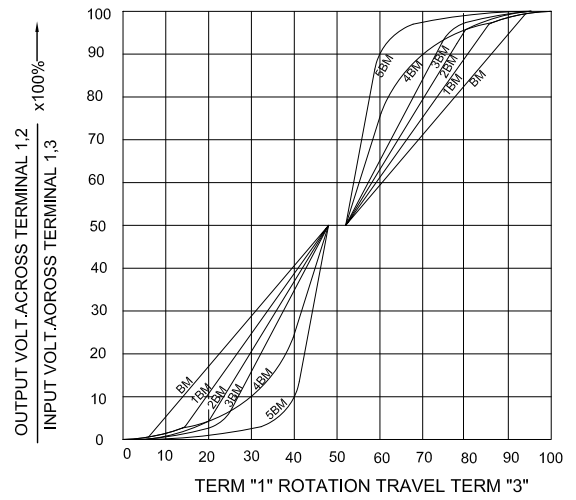
# RESISTANCE TAPER



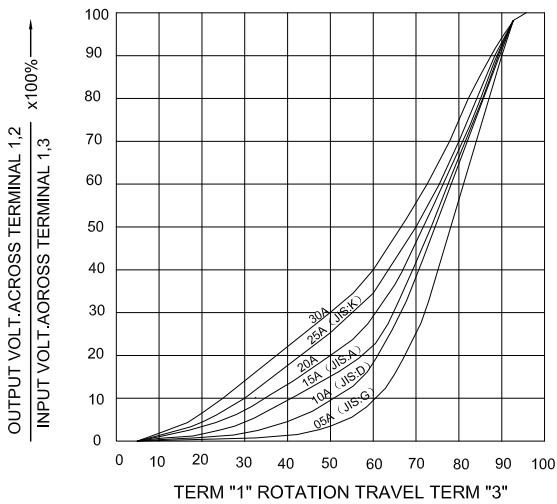
### TAPER B SERIES



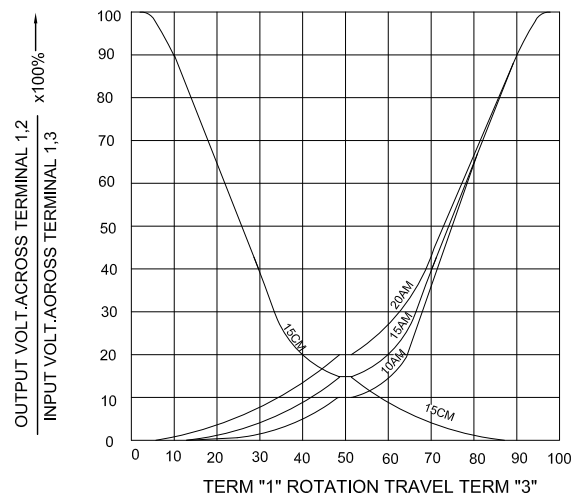
### TAPER B WITH 50% TAP



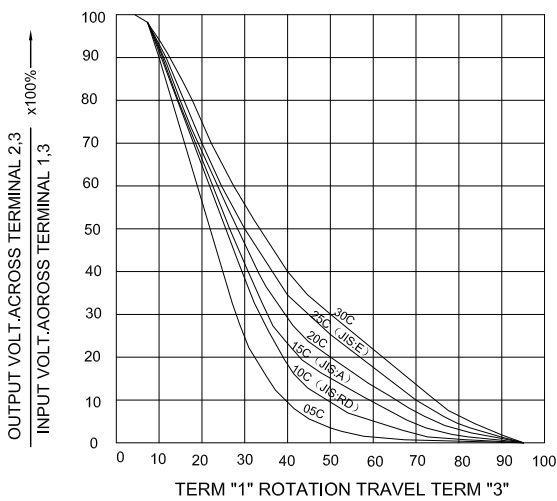
### TAPER A SERIES



### TAPER A & C WITH 50% TAP



### TAPER C SERIES



### TAPER M & N SERIES

