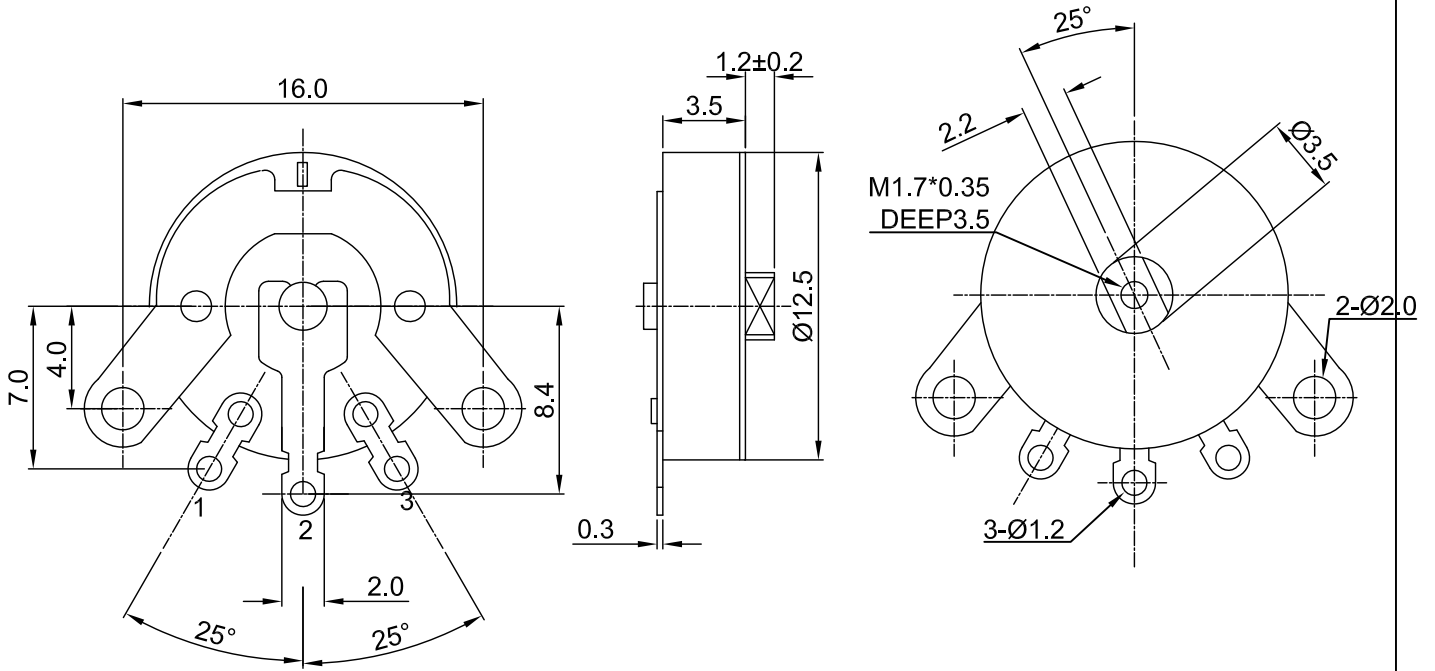
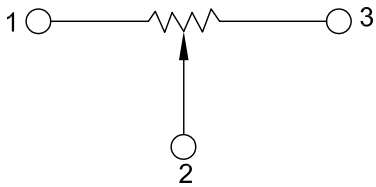


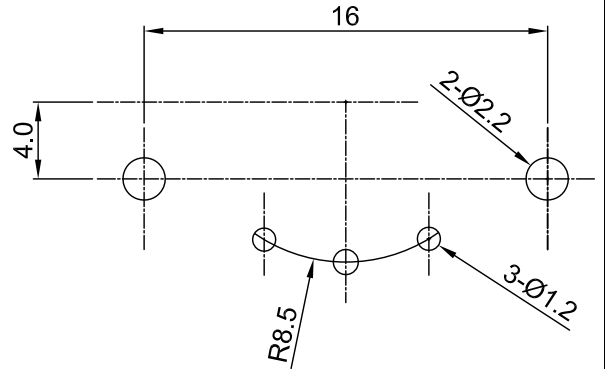
外形图 Mechanical Dimensions



接线图
Circuit Explanation



安装孔位置图
P.C.B. mounting hole detail



3			PRODUCT NAME		Rotary Potentiometer		
2			MODEL NAME		R127N-1.2A1-Value		
1			APPROVED BY		CHECKED BY		DRAWN BY
NO	DATE	DESCRIPTION					
DIMENSION	TOLERANCE	SCALE	UNIT				mm
$\int \leq 10$	± 0.2	UNIT	mm				
$10 < \int \leq 30$	± 0.5	VER.	A0				
$30 < \int \leq 100$	± 1.0	DATE	2014/12/4				
All Angles	± 5°						