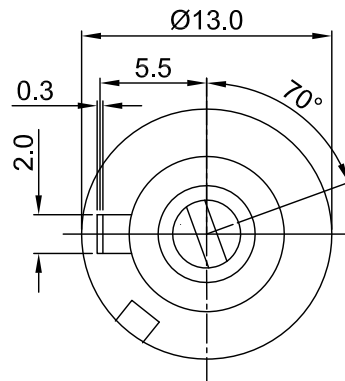
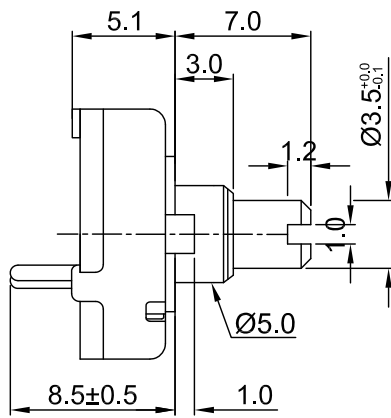
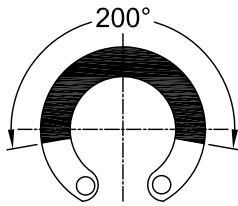
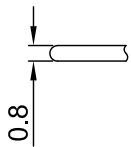


外形图 Mechanical Dimensions

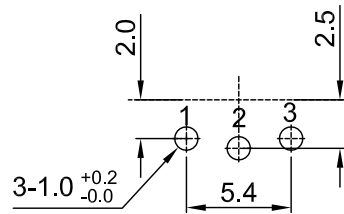
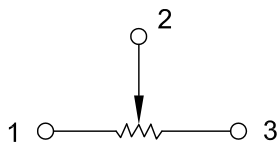


Shaft shown in full C.C.W. position



安装孔位图
P.C.B. mounting hole detail

接线图
Circuit explanation



3			PRODUCT NAME	Rotary Potentiometer		
2			MODEL NAME	R1310N-UD1-D5W3-value-200°		
1						
NO	DATE	DESCRIPTION	APPROVED BY	CHECKED BY	DRAWN BY	
		DIMENSION	TOLERANCE	SCALE		
		$l \leq 10$	± 0.2	UNIT	mm	
		$10 < l \leq 30$	± 0.5	VER.	A0	
		$30 < l \leq 100$	± 1.0	DATE	2014/08/27	
		All Angles	$\pm 5^\circ$			
			<div style="border: 1px solid black; border-radius: 50%; width: 40px; height: 40px; display: flex; flex-direction: column; justify-content: center; align-items: center; margin: 0 auto;"> R & D 2015/5/13 Eva </div>	<div style="border: 1px solid black; border-radius: 50%; width: 40px; height: 40px; display: flex; flex-direction: column; justify-content: center; align-items: center; margin: 0 auto;"> R & D 2015/5/13 Sophie </div>	<div style="border: 1px solid black; border-radius: 50%; width: 40px; height: 40px; display: flex; flex-direction: column; justify-content: center; align-items: center; margin: 0 auto;"> R & D 2015/5/13 Ball </div>	