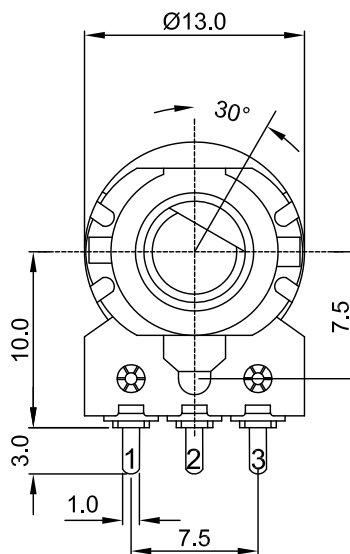
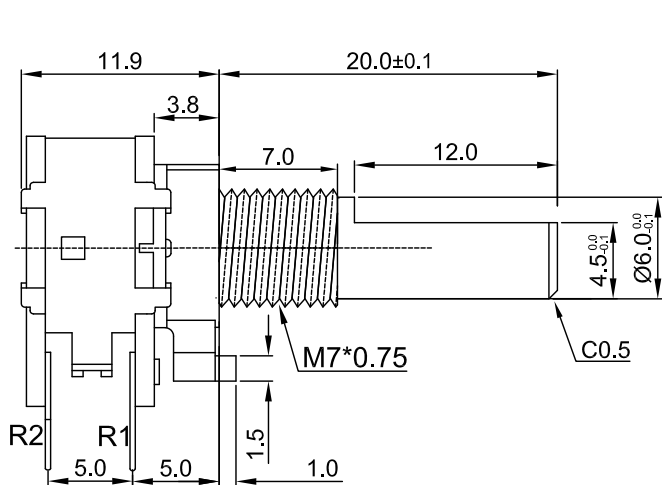
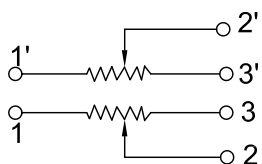


外形图 Mechanical Dimensions

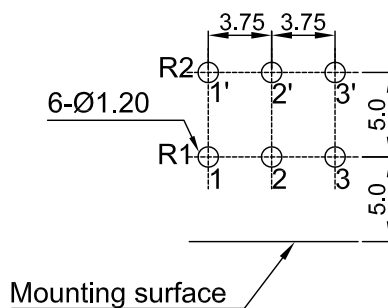


Shaft shown in full C.C.W. position

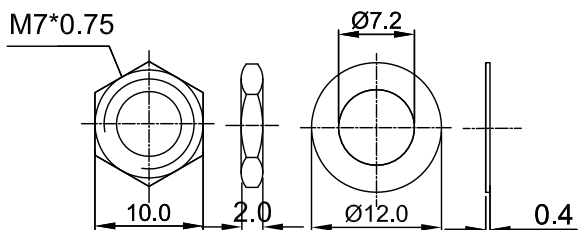
接线图
Circuit explanation



安装孔位置图
P.C.B. mounting hole detail



Attached parts : nut & washer



3				PRODUCT NAME	Rotary Potentiometer		
2				MODEL NAME	R1210G-CA1-value		
1							
NO	DATE	DESCRIPTION		APPROVED BY	CHECKED BY	DRAWN BY	
		DIMENSION	TOLERANCE	SCALE			
		$f \leq 10$	± 0.2	UNIT			mm
		$10 < f \leq 30$	± 0.5	VER.			A0
		$30 < f \leq 100$	± 1.0	DATE			2015/4/24
		All Angles	$\pm 5^\circ$				
				<div style="border: 1px solid black; border-radius: 50%; width: 40px; height: 40px; display: flex; flex-direction: column; justify-content: center; align-items: center; margin: 0 auto;"> R & D 2015/4/24 Eva </div>	<div style="border: 1px solid black; border-radius: 50%; width: 40px; height: 40px; display: flex; flex-direction: column; justify-content: center; align-items: center; margin: 0 auto;"> R & D 2015/4/24 Sophie </div>	<div style="border: 1px solid black; border-radius: 50%; width: 40px; height: 40px; display: flex; flex-direction: column; justify-content: center; align-items: center; margin: 0 auto;"> R & D 2015/4/24 Ball </div>	