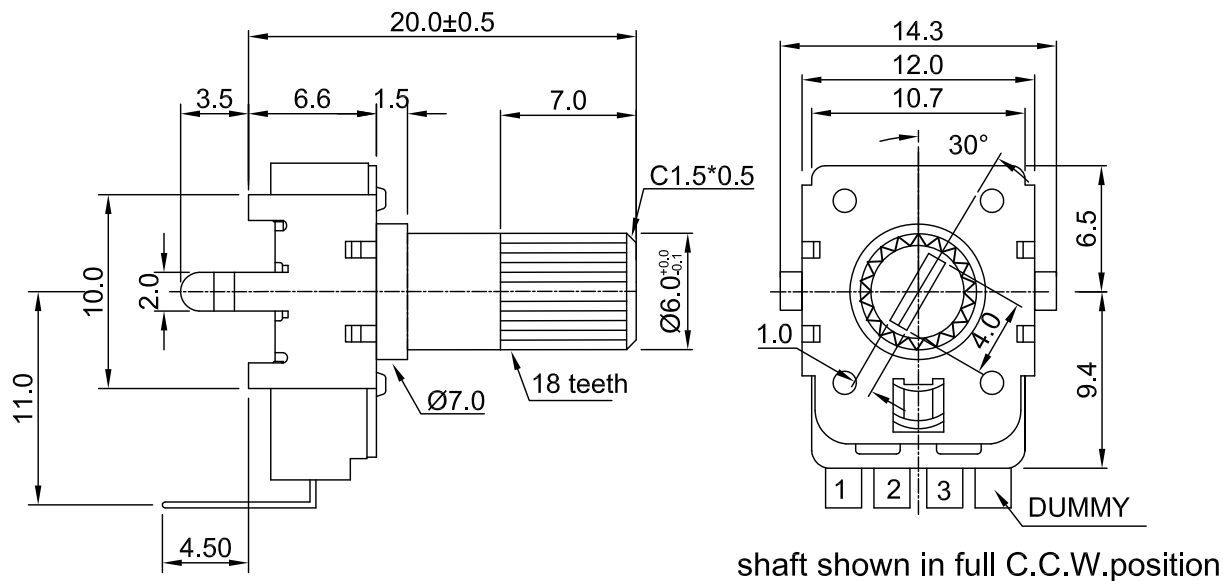
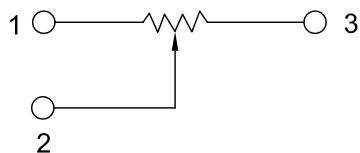


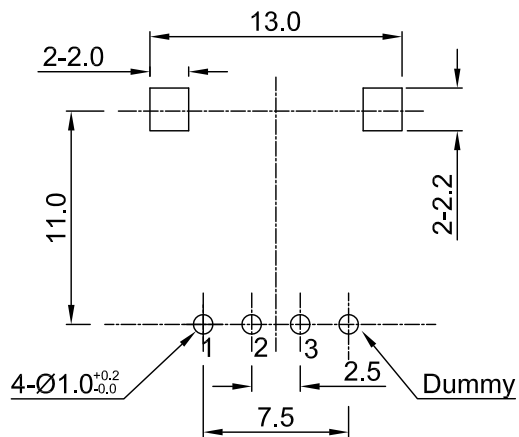
外形图 Mechanical Dimensions


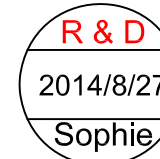
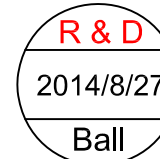


接线图
Circuit explanation



安装孔位置图
P.C.B. mounting hole detail



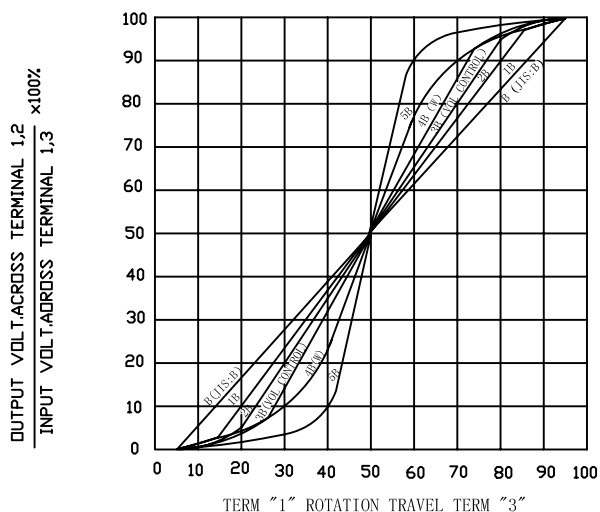
3				PRODUCT NAME	Rotary Potentiometer		
2				MODEL NAME	R1116N-QD1-value		
1				APPROVED BY	CHECKED BY	DRAWN BY	
NO	DATE	DESCRIPTION					
		DIMENSION	TOLERANCE	SCALE			
		$l \leq 10$	± 0.2	UNIT			mm
		$10 < l \leq 30$	± 0.5	VER.			A0
		$30 < l \leq 100$	± 1.0	DATE			2014/8/27
		All Angles	$\pm 5^\circ$				
				 R & D 2014/8/27 Eva	 R & D 2014/8/27 Sophie	 R & D 2014/8/27 Ball	

11 mm Rotary Potentiometers series Specifications

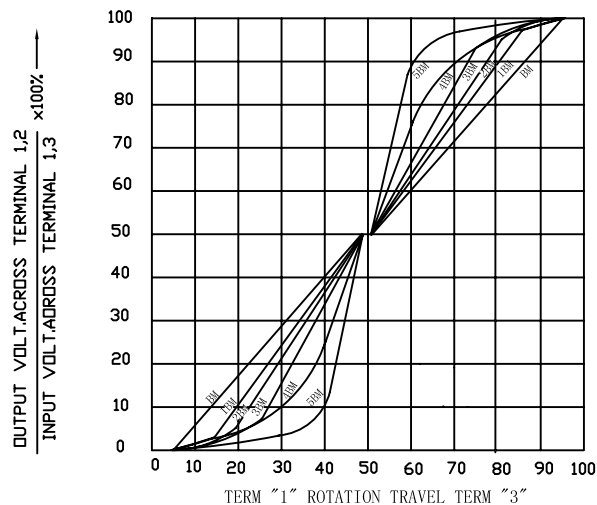
1.電氣性能 (Electrical Characteristics)					
1.1	全阻抗值 (Total Resistance)	1K Ω ~ 2M Ω			
1.2	全阻抗值允许偏差 (Total Resistance Tolerance)	$\pm 20\%$ (More than 1 M Ω $\pm 30\%$)			
1.3	電阻隨溫度變化特性 Resistance of temperature change character)	20 $^{\circ}$ C -75 $^{\circ}$ C : $\Delta R/R \leq \pm 5\%$, -25 $^{\circ}$ C -20 $^{\circ}$ C : $\Delta R/R \leq \pm 4.5\%$			
1.4	阻值變化特性 (Resistance Taper)	A, B , C, W			
1.5	零位阻值 (Residual Resistance)	R \geq 250K Ω / 0.1 % max. of total Value 250K Ω >R>10K Ω / 20 Ω max. 10K Ω >R / 10 Ω max.			
1.6	額定功率 (Rated Power)	Linear Taper B: 0.05W Other Taper:0.025W			
1.7	最高使用電壓 (Max.Operating Voltage)	50V AC; 20V DC			
1.8	動雜音 (Rotational Noise)	Less Than 100mV			
1.9	絕緣阻抗 (Insulation Resistance)	More than 100M Ω at DC 250V			
1.10	耐電壓 (Withstand Voltage)	For 1 minute at: AC 500V			
1.11	开关額定功率(Switch Rated Power)	-----			
1.12	同步誤差 (Gang Error)	-----			
2.機械性能 (Mechanical Characteristics)					
2.1	全回轉角度 (Rotation Angle)	300 $^{\circ}$ \pm 10 $^{\circ}$			
2.2	旋轉力矩 (Rotation Torque)	20~200gf.cm			
2.3	軸的拉、押強度 (Pull-Push Strength)	4 Kgf.cm			
2.4	轉動止檔強度 (Rotational Stop-End Torque)	3 kgf.cm Min			
2.5	开关角度(Switch Working Angel)	-----			
2.6	开关力矩(Switch Working Torque)	-----			
2.7	旋轉定位數目 (Number of Detents(click))	detent: 0 ; 1 centre Click			
2.8	焊錫耐熱性 (Resistance To Soldering Heat)	260 \pm 5 $^{\circ}$ C and less than 3 seconds			
3.耐久性能 (Durability)					
3.1	回轉壽命 (Rotation Life)	10,000 Cycles min.			
3.2	工作溫度 (Operating temperature)	-10 $^{\circ}$ C ~+70 $^{\circ}$ C			
4.1	外形尺寸圖/曲線特性圖 (Shape size drawing/curve characteristic drawing)	見附頁 Please refer the drawing			
批 准		審 核		設 計	

RESISTANCE TAPER

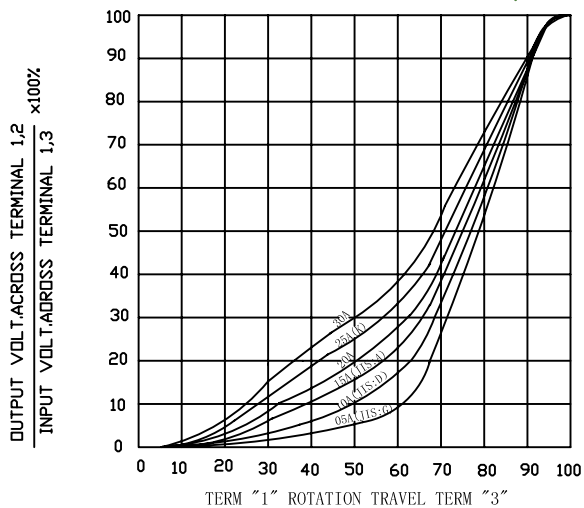
TAPER B SERIES



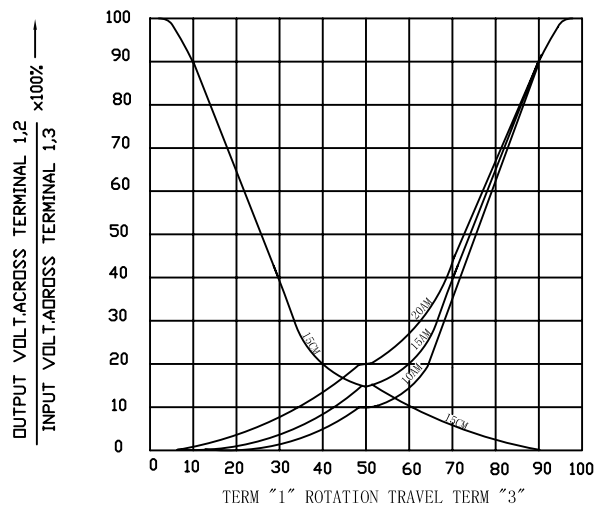
TAPER B WITH 50% TAP



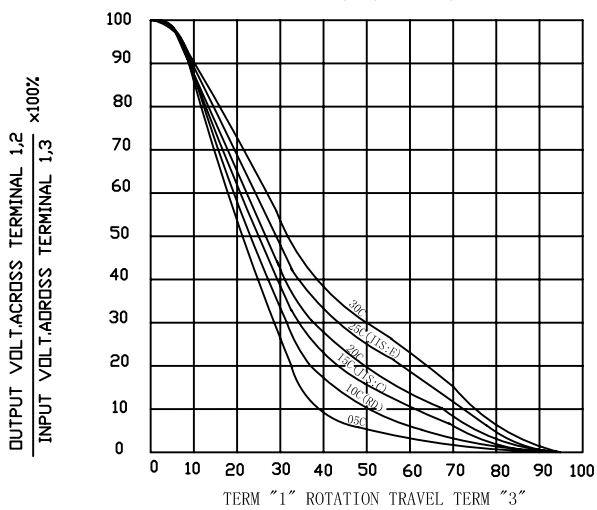
TAPER A SERIES



TAPER A & C WITH 50% TAP



TAPER C SERIES



TAPER M & N SERIES

