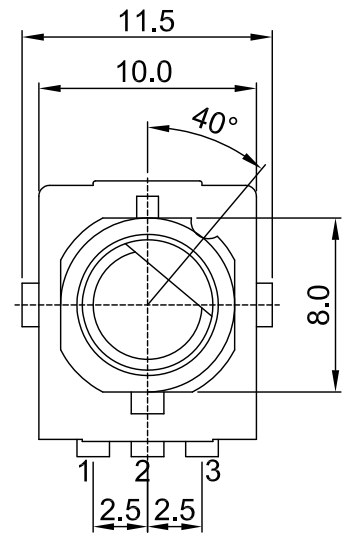
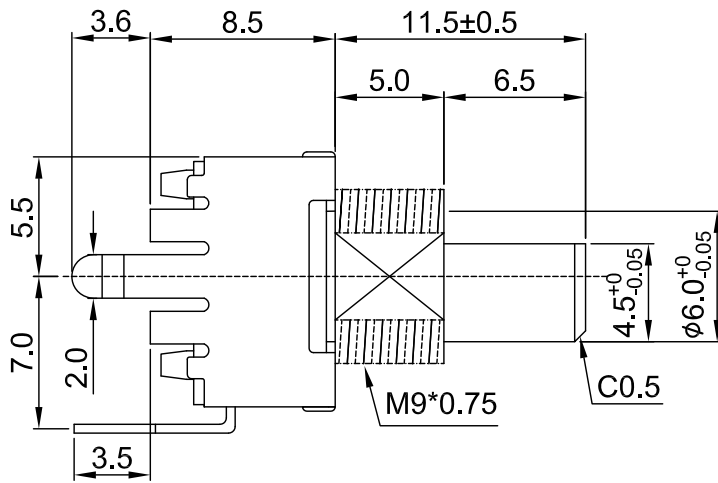
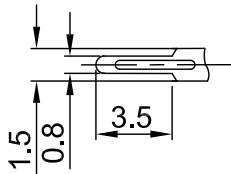


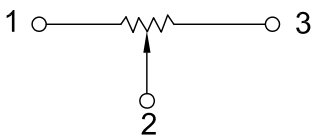
# 外形图 Mechanical Dimensions



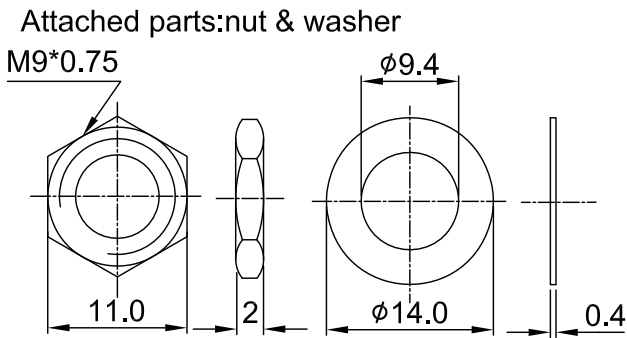
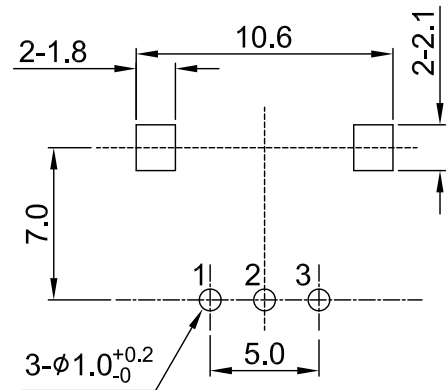
Shaft shown in full  
C.C.W. position



接线图  
Circuit explanation



安装孔位置图  
P.C.B. mounting hole detail



3				PRODUCT NAME	Rotary Potentiometer	
2				MODEL NAME	<b>R0912N-QD1-value</b>	
1				APPROVED BY	CHECKED BY	DRAWN BY
NO	DATE	DESCRIPTION				
DIMENSION	TOLERANCE	SCALE				
$\int \leq 10$	$\pm 0.2$	UNIT	mm			
$10 < \int \leq 30$	$\pm 0.5$	VER.	A0			
$30 < \int \leq 100$	$\pm 1.0$	DATE	2013/05/30			
All Angles	$\pm 5^\circ$					