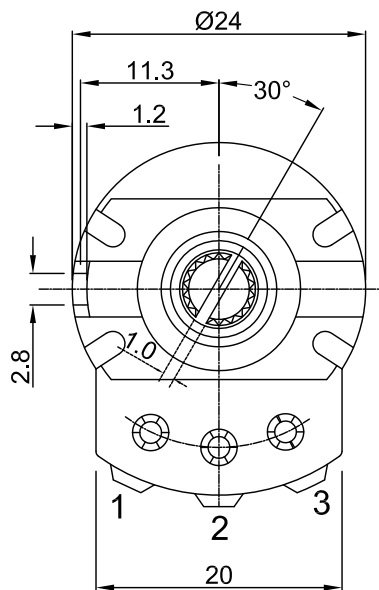
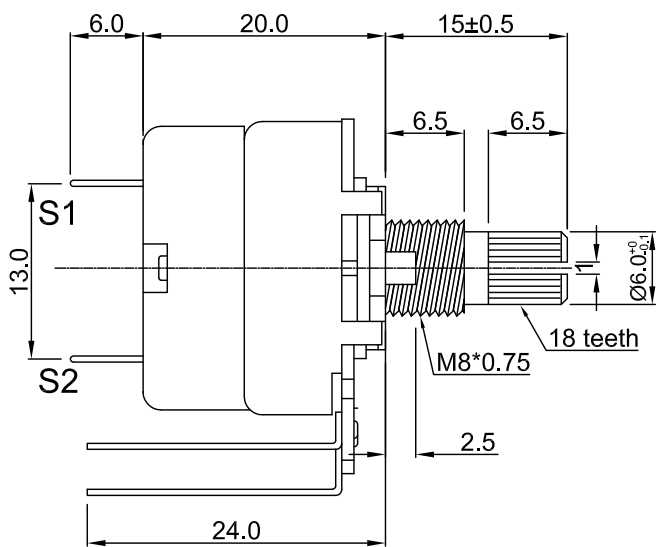
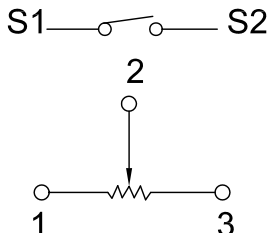


外形图 Mechanical Dimensions

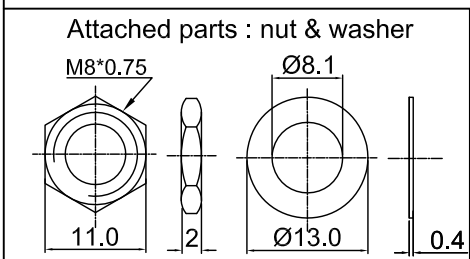
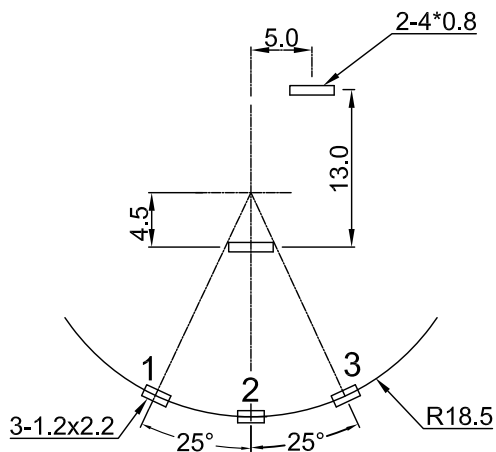


Shaft shown in full C.C.W. position

接线图
Circuit explanation



安装孔位图
P.C.B. mounting hole detail



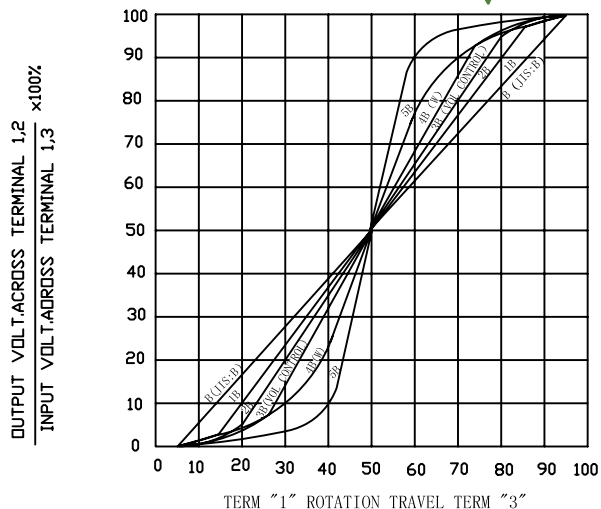
3				PRODUCT NAME	Rotary Potentiometer	
2				MODEL NAME	RD2410NS-2D1-Value-L90	
1				APPROVED BY	CHECKED BY	DRAWN BY
NO	DATE	DESCRIPTION				
	DIMENSION	TOLERANCE	SCALE			
	$l \leq 10$	± 0.2	UNIT			
	$10 < l \leq 30$	± 0.5	VER.			
	$30 < l \leq 100$	± 1.0	DATE			
	All Angles	$\pm 5^\circ$				

24 mm Rotary Series Potentiometers with SW Specifications

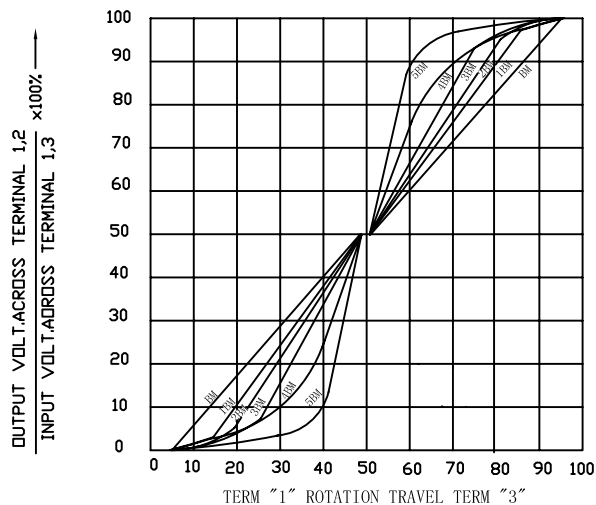
1. 電氣性能 (Electrical Characteristics)					
1.1	全阻抗值 (Total Resistance)		10KΩ		
1.2	全阻抗值允許偏差 (Total Resistance Tolerance)		±20% (More than 1 M Ω ±30%)		
1.3	電阻隨溫度變化特性 Resistance of temperature change character)		20℃-75℃:ΔR/R≤±5%, -25℃-20℃:ΔR/R≤±4.5%		
1.4	阻值變化特性 (Resistance Taper)		B		
1.5	零位阻值 (Residual Resistance)		R>250KΩ / 0.1 % max. of total Value 250KΩ>R>10KΩ / 20Ω max. 10KΩ>R / 10Ω max.		
1.6	額定功率 (Rated Power)		Linear Taper B: 0.5W Other Taper:0.25W		
1.7	最高使用電壓 (Max.Operating Voltage)		250V AC		
1.8	動雜音 (Rotational Noise)		Less Than 100mV		
1.9	絕緣阻抗 (Insulation Resistance)		More than 50MΩ at DC 500V		
1.10	耐電壓 (Withstand Voltage)		For 1 minute at: AC 500V		
1.11	開關額定功率(Switch Rated Power)		1A at AC/DC 125V		
1.12	同步誤差 (Gang Error)		-----		
2. 機械性能 (Mechanical Characteristics)					
2.1	全回轉角度 (Rotation Angle)		300°±10°		
2.2	旋轉力矩 (Rotation Torque)		20~200gf.cm		
2.3	軸的拉、押強度 (Pull-Push Strength)		6 Kgf.cm		
2.4	轉動止檔強度 (Rotational Stop-End Torque)		5 kgf.cm Min		
2.5	開關角度(Switch Working Angel)		≤50°		
2.6	開關力矩(Switch Working Torque)		150~450gf.cm		
2.7	旋轉定位數目 (Number of Detents(click)		detent : 0,		
2.8	焊錫耐熱性 (Resistance To Soldering Heat)		260±5℃ and less than 3 seconds		
3. 耐久性能 (Durability)					
3.1	回轉壽命 (Rotation Life)		10,000 Cycles min.		
3.2	工作溫度 (Operating temperature)		-10℃~+70℃		
4.1	外形尺寸圖/曲線特性圖 (Shape size drawing/curve characteristic drawing)		見附頁 Please refer the drawing		
批 准			審 核		
			設 計		

RESISTANCE TAPER

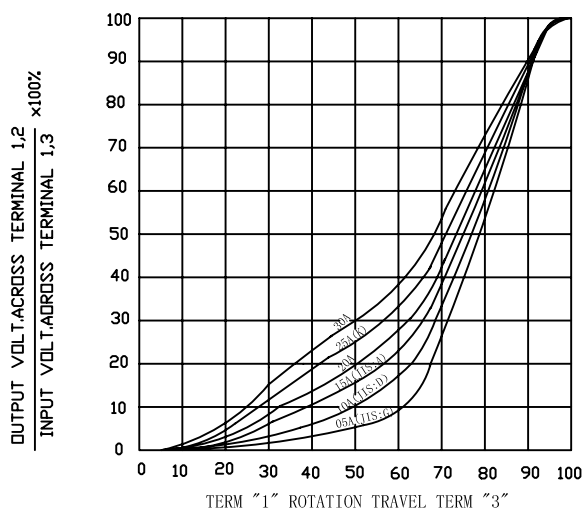
TAPER B SERIES ✓



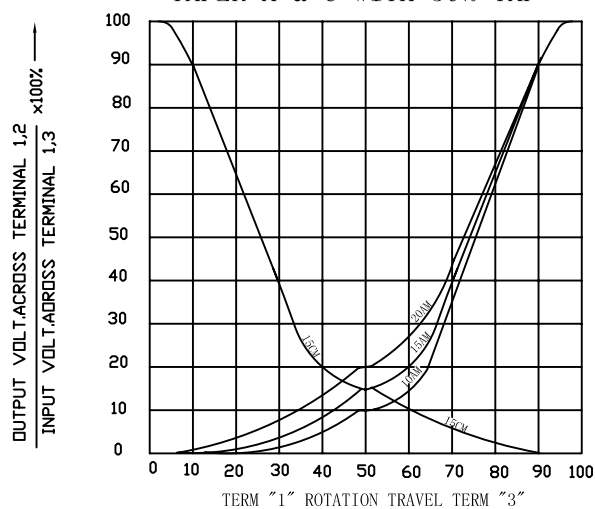
TAPER B WITH 50% TAP



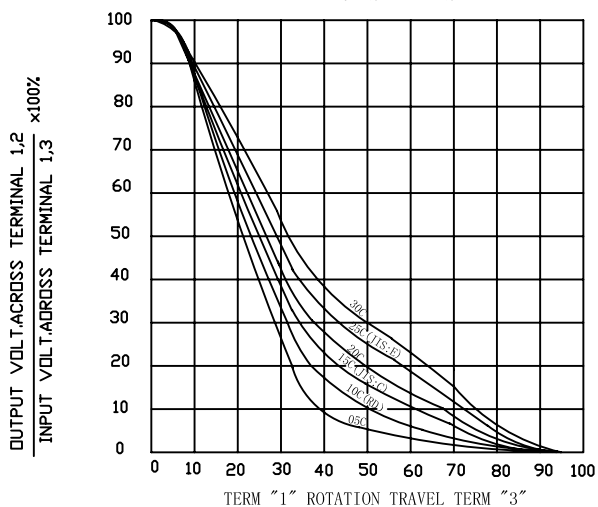
TAPER A SERIES



TAPER A & C WITH 50% TAP



TAPER C SERIES



TAPER M & N SERIES

