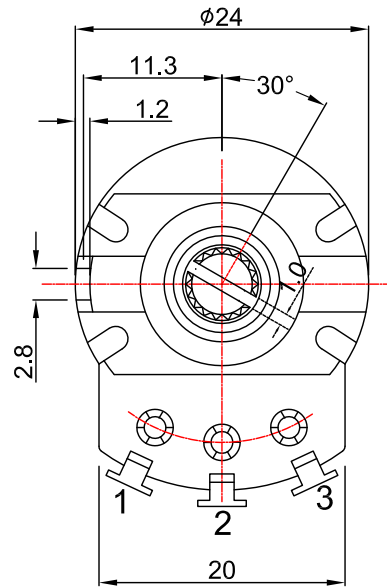
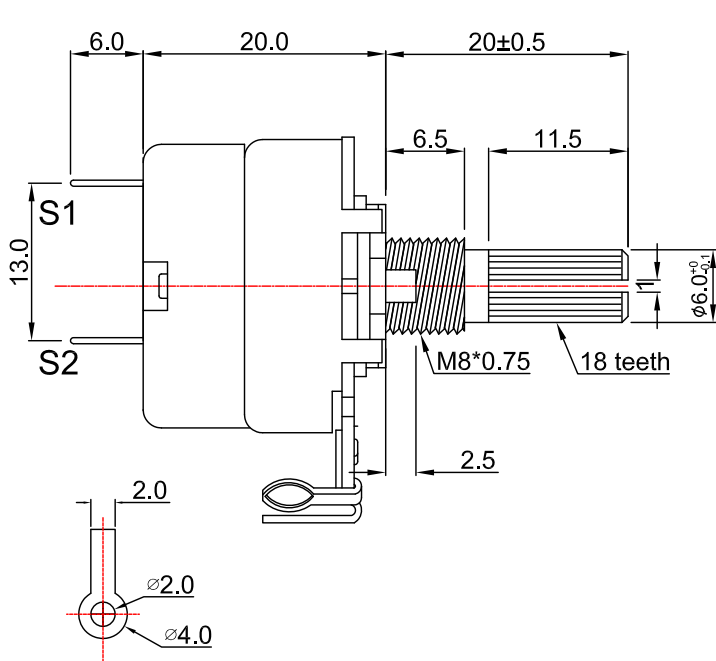
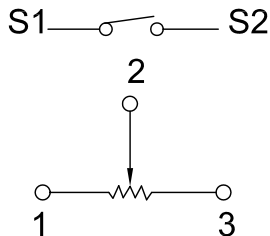


外形图 Mechanical Dimensions

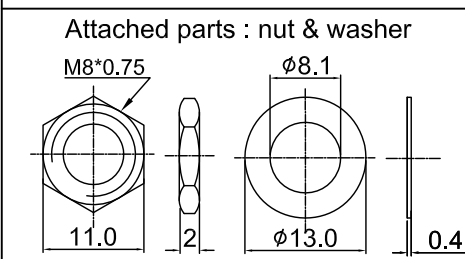
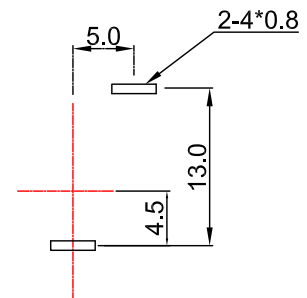


Shaft shown in full C.C.W. position

接线图 Circuit explanation





安装孔位图 P.C.B. mounting hole detail



3					PRODUCT NAME	Rotary Potentiometer	
2					MODEL NAME	RD2410NS-3B1-Value	
1							
NO	DATE	DESCRIPTION			APPROVED BY	CHECKED BY	DRAWN BY
		DIMENSION	TOLERANCE	SCALE			
		$l \leq 10$	± 0.2	UNIT	<div style="border: 1px solid black; border-radius: 50%; padding: 5px; width: 60px; margin: 0 auto;"> <div style="text-align: center; color: red; font-weight: bold;">R & D</div> <div style="text-align: center;">2014-9-18</div> <div style="text-align: center;">Eva</div> </div>	<div style="border: 1px solid black; border-radius: 50%; padding: 5px; width: 60px; margin: 0 auto;"> <div style="text-align: center; color: red; font-weight: bold;">R & D</div> <div style="text-align: center;">2014-9-18</div> <div style="text-align: center;">Sophie</div> </div>	<div style="border: 1px solid black; border-radius: 50%; padding: 5px; width: 60px; margin: 0 auto;"> <div style="text-align: center; color: red; font-weight: bold;">R & D</div> <div style="text-align: center;">2014-9-18</div> <div style="text-align: center;">Ball</div> </div>
		$10 < l \leq 30$	± 0.5	mm			
		$30 < l \leq 100$	± 1.0	VER. A0			
		All Angles	$\pm 5^\circ$	DATE	2014-9-18		

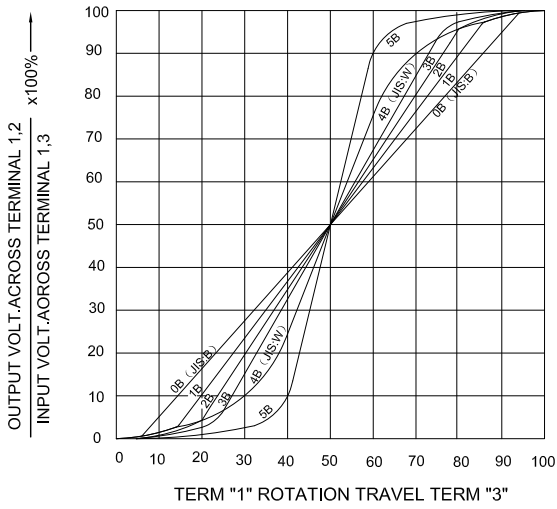
24 mm Rotary Series Potentiometers with SW Specifications

1. 電氣性能 (Electrical Characteristics)					
1.1	全阻抗值 (Total Resistance)		1K Ω ~ 2M Ω		
1.2	全阻抗值允許偏差 (Total Resistance Tolerance)		$\pm 20\%$ (More than 1 M Ω $\pm 30\%$)		
1.3	電阻隨溫度變化特性 Resistance of temperature change character)		20 $^{\circ}$ C-75 $^{\circ}$ C: $\Delta R/R \leq \pm 5\%$, -25 $^{\circ}$ C-20 $^{\circ}$ C: $\Delta R/R \leq \pm 4.5\%$		
1.4	阻值變化特性 (Resistance Taper)		A, B, C, W		
1.5	零位阻值 (Residual Resistance)		R \geq 250K Ω / 0.1 % max. of total Value 250K Ω >R>10K Ω / 20 Ω max. 10K Ω \geq R / 10 Ω max.		
1.6	額定功率 (Rated Power)		Linear Taper B: 0.5W Other Taper:0.25W		
1.7	最高使用電壓 (Max.Operating Voltage)		250V AC		
1.8	動雜音 (Rotational Noise)		Less Than 100mV		
1.9	絕緣阻抗 (Insulation Resistance)		More than 50M Ω at DC 500V		
1.10	耐電壓 (Withstand Voltage)		For 1 minute at: AC 500V		
1.11	开关額定功率(Switch Rated Power)		1A at AC 125V		
1.12	同步誤差 (Gang Error)		-----		
2. 機械性能 (Mechanical Characteristics)					
2.1	全回轉角度 (Rotation Angle)		300 $^{\circ}$ \pm 10 $^{\circ}$		
2.2	旋轉力矩 (Rotation Torque)		20~200gf.cm		
2.3	軸的拉、押強度 (Pull-Push Strength)		Pull 3Kgf.cm / Push 5 Kgf.cm		
2.4	轉動止檔強度 (Rotational Stop-End Torque)		5 kgf.cm Min		
2.5	开关角度(Switch Working Angel)		60 $^{\circ}$ \pm 10 $^{\circ}$		
2.6	开关力矩(Switch Working Torque)		150~450gf.cm		
2.7	旋轉定位數目 (Number of Detents(click))		detent : 0		
2.8	焊錫耐熱性 (Resistance To Soldering Heat)		<u>260\pm5$^{\circ}$C</u> and less than <u>3</u> seconds		
3. 耐久性能 (Durability)					
3.1	回轉壽命 (Rotation Life)		10,000 Cycles min.		
3.2	工作溫度 (Operating temperature)		-10 $^{\circ}$ C~+70 $^{\circ}$ C		
4.1	外形尺寸圖/曲線特性圖 (Shape size drawing/curve characteristic drawing)		見附頁 Please refer the drawing		
批准			審核		
			設計		

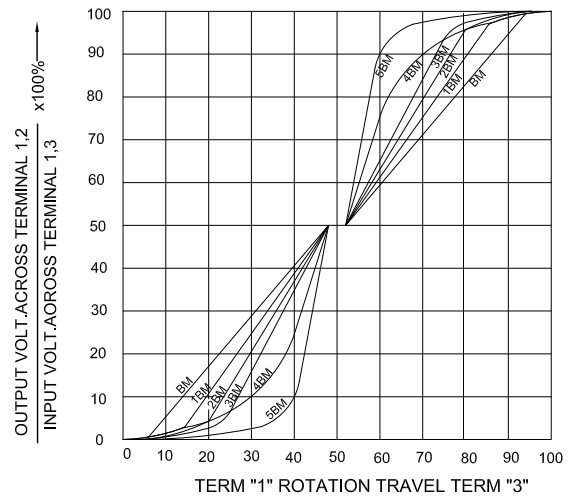
RESISTANCE TAPER



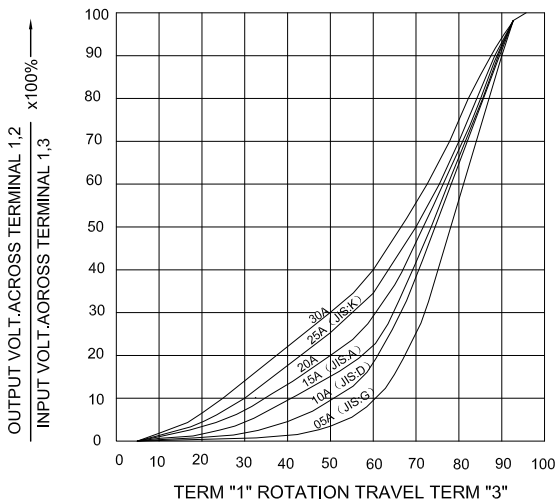
TAPER B SERIES



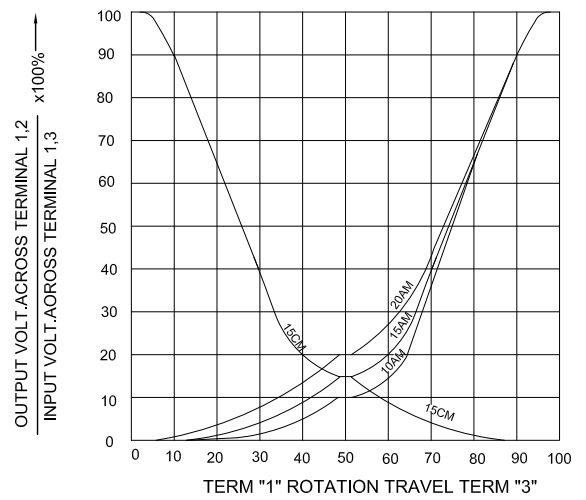
TAPER B WITH 50% TAP



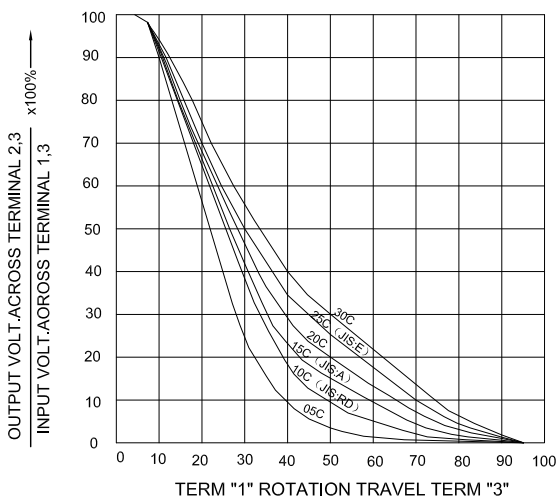
TAPER A SERIES



TAPER A & C WITH 50% TAP



TAPER C SERIES



TAPER M & N SERIES

