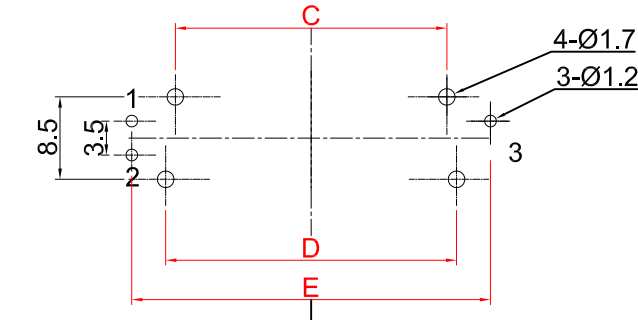
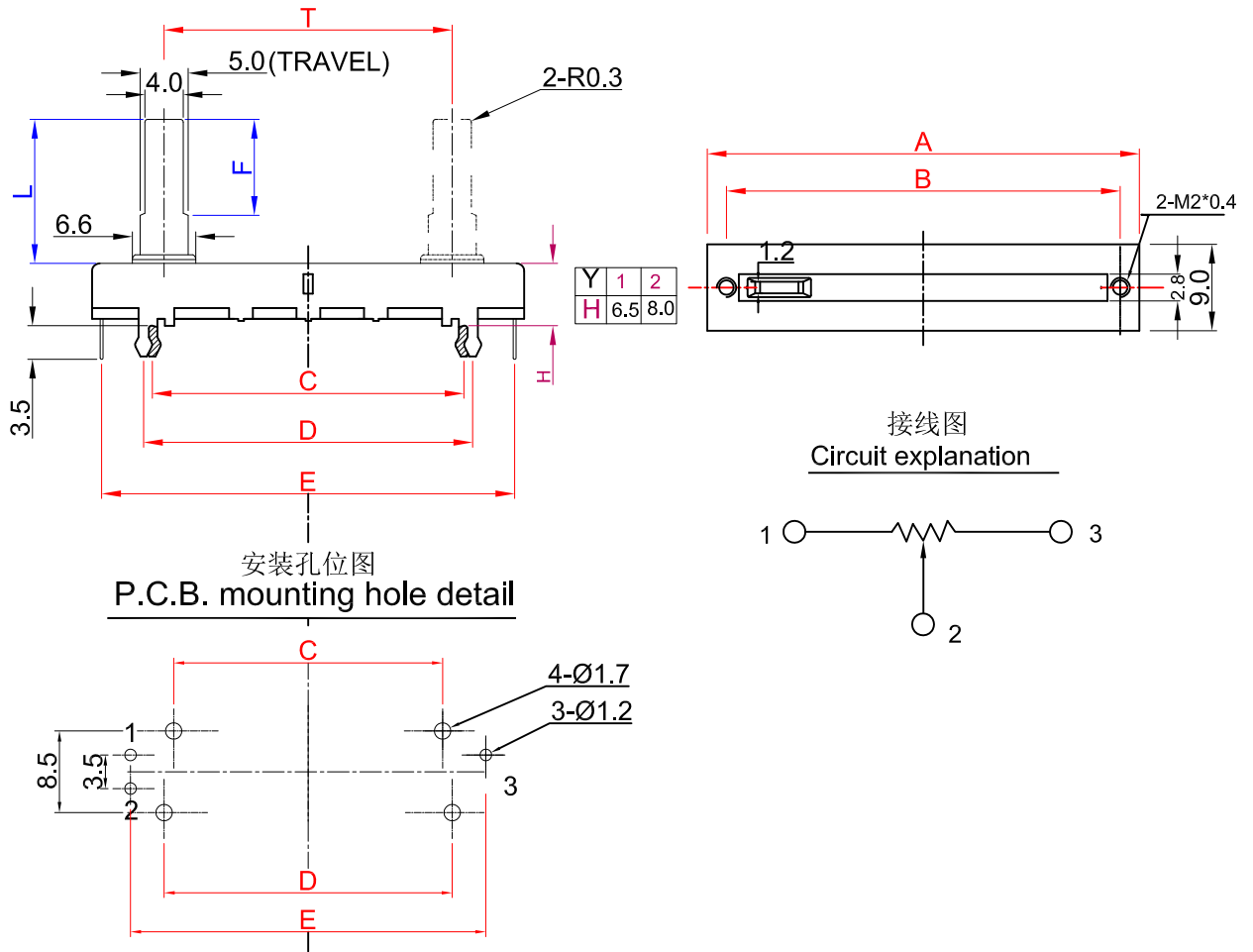


# 外形图 Mechanical Dimensions



	MODEL NO.	T	A	B	C	D	E	G
<input type="checkbox"/>	C1521N	15	30	26	17.8	20.2	28.5	
<input type="checkbox"/>	C2021N	20	35	31	22.8	25.2	33.5	
<input checked="" type="checkbox"/>	C3021N	30	45	41	32.8	35.2	43.5	
<input type="checkbox"/>	C4521N	45	60	56	47.8	50.2	58.5	
<input type="checkbox"/>	C6021N	60	75	71	62.8	65.2	73.5	
<input type="checkbox"/>	C0021N	100	117	112.5	104.6	107	115.2	20

C1型金属推柄 (Metal Lever)

	<input type="checkbox"/>	<input checked="" type="checkbox"/>	<input type="checkbox"/>	<input type="checkbox"/>	<input type="checkbox"/>	<input type="checkbox"/>
X	A	B	C	D	E	
L	10	15	20	25	17.5	
F	7	10	10	10	10	

<input checked="" type="checkbox"/>			PRODUCT NAME	Slide Potentiometer			
<input checked="" type="checkbox"/>			MODEL NAME	C <input type="checkbox"/> <input type="checkbox"/> 21N- <input type="checkbox"/> A <input type="checkbox"/> -value			
<input checked="" type="checkbox"/>			NO	DATE	DESCRIPTION		
	DIMENSION	TOLERANCE	SCALE	APPROVED BY	CHECKED BY	DRAWN BY	
	$\int \leq 10$	$\pm 0.2$	UNIT	<div style="border: 1px solid black; border-radius: 50%; padding: 5px; text-align: center;"> <b>R &amp; D</b>            2014/9/15            Eva         </div>	<div style="border: 1px solid black; border-radius: 50%; padding: 5px; text-align: center;"> <b>R &amp; D</b>            2014/9/15            Sophie         </div>	<div style="border: 1px solid black; border-radius: 50%; padding: 5px; text-align: center;"> <b>R &amp; D</b>            2014/9/15            Ball         </div>	
	$10 < \int \leq 30$	$\pm 0.5$	VER.				A0
	$30 < \int \leq 100$	$\pm 1.0$	DATE				2014/08/21
	All Angles	$\pm 5^\circ$					