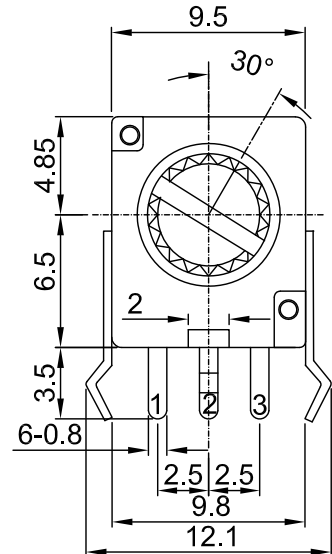
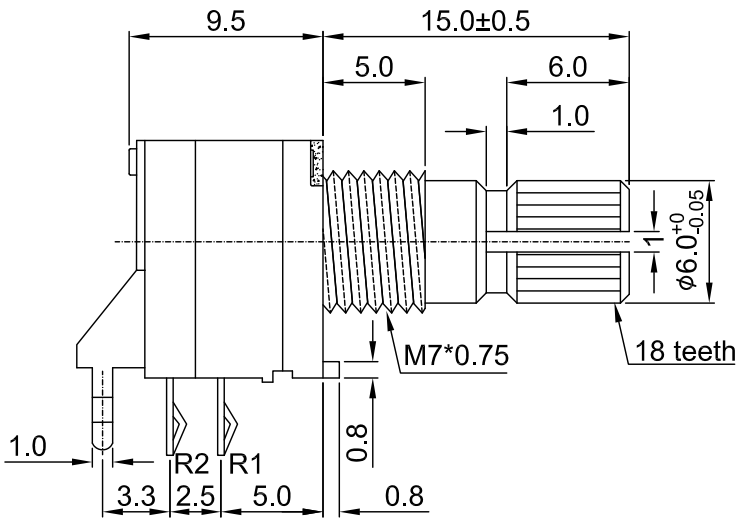
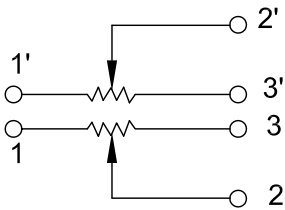


外形图 Mechanical Dimensions

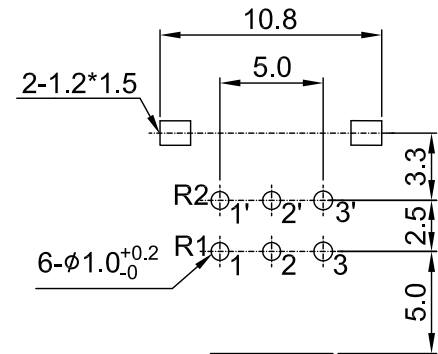


Shaft shown in full C.C.W. position

接线图
Circuit explanation

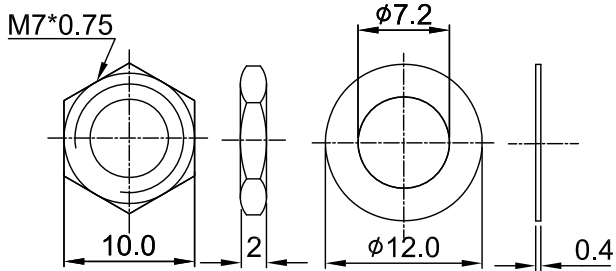


安装孔位置图
P.C.B. mounting hole detail



Mounting surface

Attached parts: nut & washer



3				PRODUCT NAME	Rotary Potentiometer		
2				MODEL NAME	R0923G-2A1-value		
1				APPROVED BY	CHECKED BY	DRAWN BY	
NO	DATE	DESCRIPTION					
	DIMENSION	TOLERANCE	SCALE				
	$l \leq 10$	± 0.2	UNIT				
	$10 < l \leq 30$	± 0.5	VER.				A0
	$30 < l \leq 100$	± 1.0	DATE				2013/05/30
	All Angles	$\pm 5^\circ$					