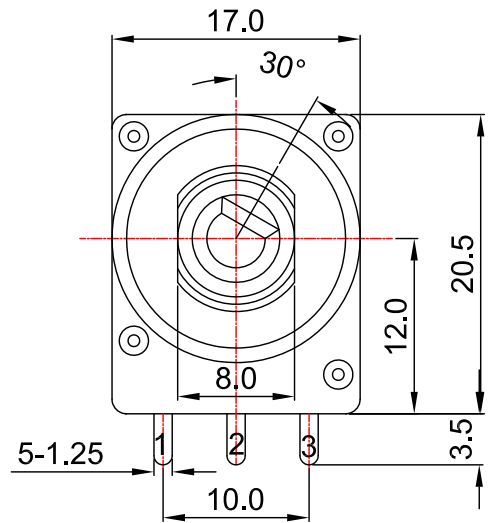
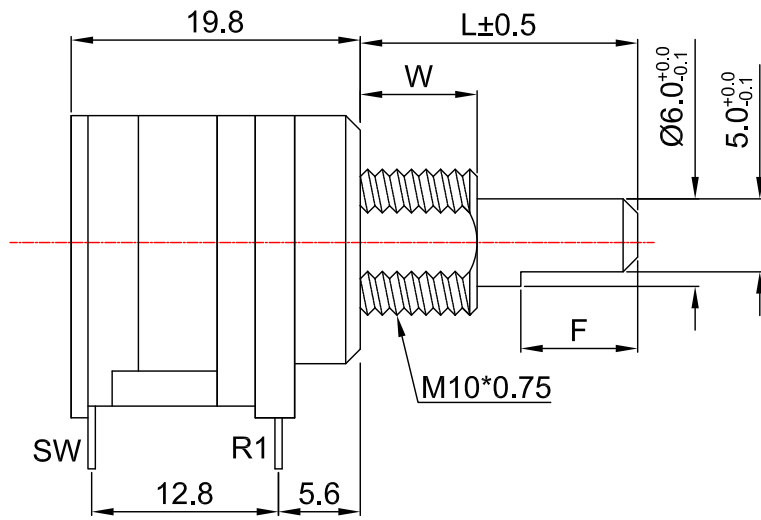
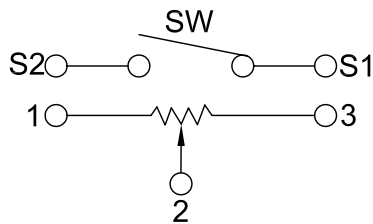


# 外形图 Mechanical Dimensions



Shaft shown in full C.C.W. position

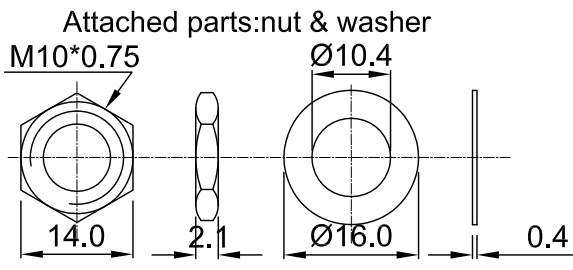
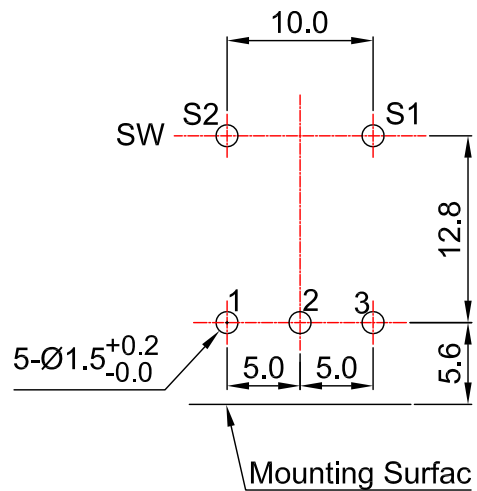
接线图  
Circuit explanation



F type plastic shaft




|   |    |     |    |  |  |
|---|----|-----|----|--|--|
| L | 17 | 19  | 20 |  |  |
| F |    | 8.0 |    |  |  |
| w |    | 8.0 |    |  |  |

安装孔位置图  
P.C.B. mounting hole detail



|    |                   |               |       |              |                                     |          |
|----|-------------------|---------------|-------|--------------|-------------------------------------|----------|
| 3  |                   |               |       | PRODUCT NAME | Switch Rotary Potentiometer         |          |
| 2  |                   |               |       | MODEL NAME   | R16R2S- <sup>shaft</sup> L D1-value |          |
| 1  |                   |               |       | APPROVED BY  | CHECKED BY                          | DRAWN BY |
| NO | DATE              | DESCRIPTION   |       |              |                                     |          |
|    | DIMENSION         | TOLERANCE     | SCALE |              |                                     |          |
|    | $f \leq 10$       | $\pm 0.2$     | UNIT  |              |                                     |          |
|    | $10 < f \leq 30$  | $\pm 0.5$     | VER.  |              |                                     |          |
|    | $30 < f \leq 100$ | $\pm 1.0$     | DATE  |              |                                     |          |
|    | All Angles        | $\pm 5^\circ$ |       |              |                                     |          |
|    |                   |               |       |              |                                     |          |

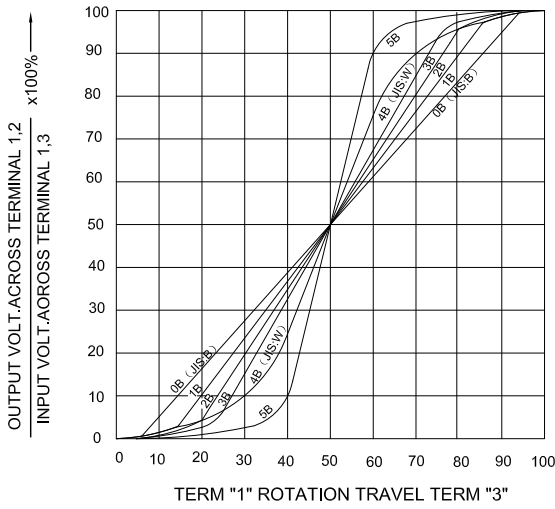
# 16 mm Rotary Potentiometers with SW series Specifications

| 1.電氣性能 (Electrical Characteristics) |   |  |   |   |  |
|-------------------------------------|---|--|---|---|--|
| 1.1                                 | 全阻抗值 (Total Resistance)   |  | 1KΩ ~ 2MΩ   |   |  |
| 1.2                                 | 全阻抗值允許偏差 (Total Resistance Tolerance)   |  | ±20% ( More than 1 M Ω ±30%)  |   |  |
| 1.3                                 | 電阻隨溫度變化特性<br>(Resistance of temperature change character)                           |  | 20°C-75°C:ΔR/R≤±5%,<br>-25°C-20°C:ΔR/R≤±4.5%  |   |  |
| 1.4                                 | 阻值變化特性 (Resistance Taper)   |  | A, B  |   |  |
| 1.5                                 | 零位阻值 (Residual Resistance)  |  | R≥250KΩ / 0.1 % max. of total Value<br>250KΩ>R>10KΩ / 20Ω max.<br>10KΩ≥R / 10Ω max. |   |  |
| 1.6                                 | 額定功率 (Rated Power)  |  | Linear Taper B: 0.5W Other Taper:0.2W   |   |  |
| 1.7                                 | 最高使用電壓 (Max.Operating Voltage)  |  | 250VAC  |   |  |
| 1.8                                 | 動雜音 (Rotational Noise)  |  | Less Than 100mV   |   |  |
| 1.9                                 | 絕緣阻抗 (Insulation Resistance)  |  | More than 100MΩ at DC 250V  |   |  |
| 1.10                                | 耐電壓 (Withstand Voltage)   |  | For 1 minute at: DC 500V  |   |  |
| 1.11                                | 开关額定功率(Switch Rated Power)  |  | 250V AC,3A □ / 250V AC,10A □  |   |  |
| 2.機械性能 (Mechanical Characteristics) |   |  |   |   |  |
| 2.1                                 | 全回轉角度 (Rotation Angle)  |  | 300°±5°   |   |  |
| 2.2                                 | 旋轉力矩 (Rotation Torque)  |  | 10~100gf.cm   |   |  |
| 2.3                                 | 軸的拉、押強度 (Pull-Push Strength)  |  | 6 Kgf.cm  |   |  |
| 2.4                                 | 轉動止檔強度 (Rotational Stop-End Torque)   |  | 5 kgf.cm Min  |   |  |
| 2.5                                 | 开关角度(Switch Working Angel)  |  | 50°±10°   |   |  |
| 2.6                                 | 开关力矩(Switch Working Torque)   |  | 50~150gf.cm   |   |  |
| 2.7                                 | 旋轉定位數目 (Number of Detents(click))   |  | 0 detents / 16 detents /30 detents  |   |  |
| 2.8                                 | 焊錫耐熱性 (Resistance To Soldering Heat)  |  | 260±5°C and less than 3 seconds   |   |  |
| 3.耐久性能 (Durability)                 |   |  |   |   |  |
| 3.1                                 | 回轉壽命 (Rotation Life)  |  | 10,000 Cycles min.  |   |  |
| 3.2                                 | 工作溫度 (Operating temperature)  |  | -10°C~+70°C   |   |  |
| 4.1                                 | 外形尺寸圖/曲線特性圖<br>(Shape size drawing/curve characteristic drawing)                    |  | 見附頁<br>Please refer the drawing   |   |  |
| 批<br>准                              |  |  | 審<br>核  |    |  |
|                                     |   |  | 設<br>計  |  |  |

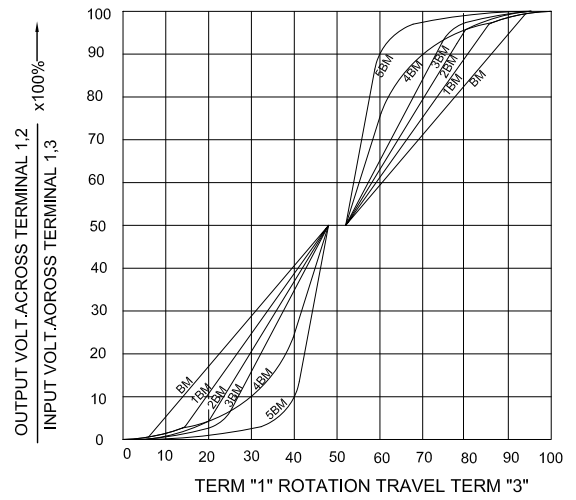
# RESISTANCE TAPER



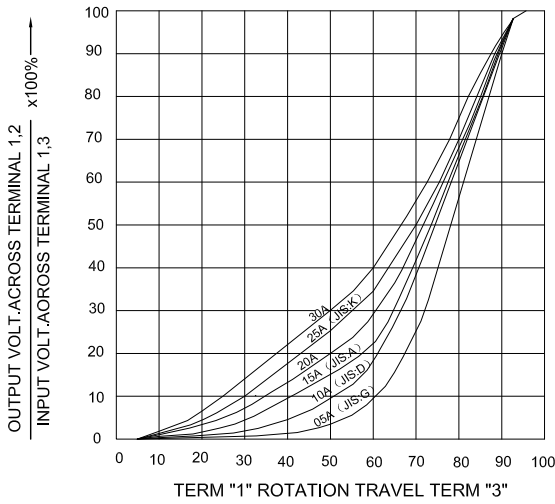
### TAPER B SERIES



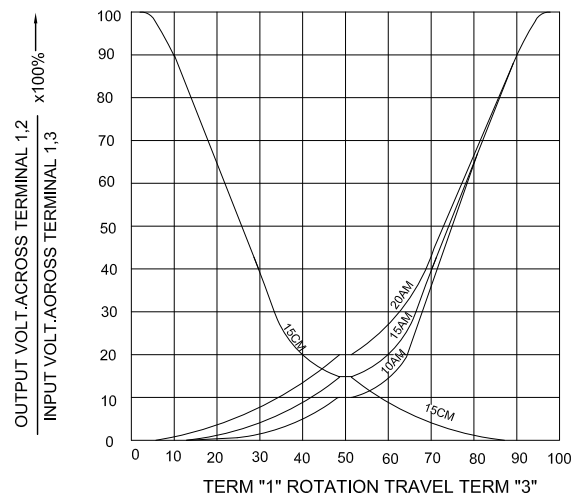
### TAPER B WITH 50% TAP



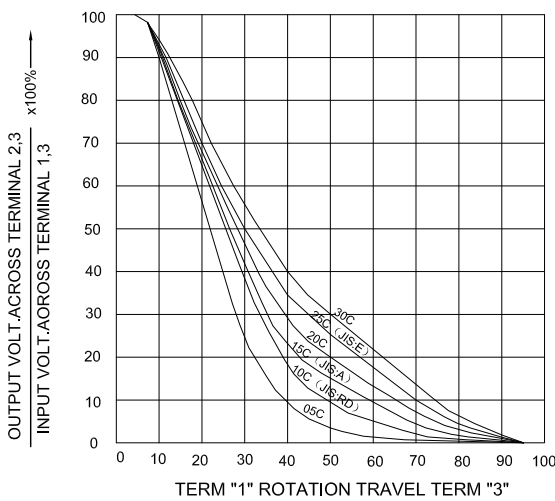
### TAPER A SERIES



### TAPER A & C WITH 50% TAP



### TAPER C SERIES



### TAPER M & N SERIES

