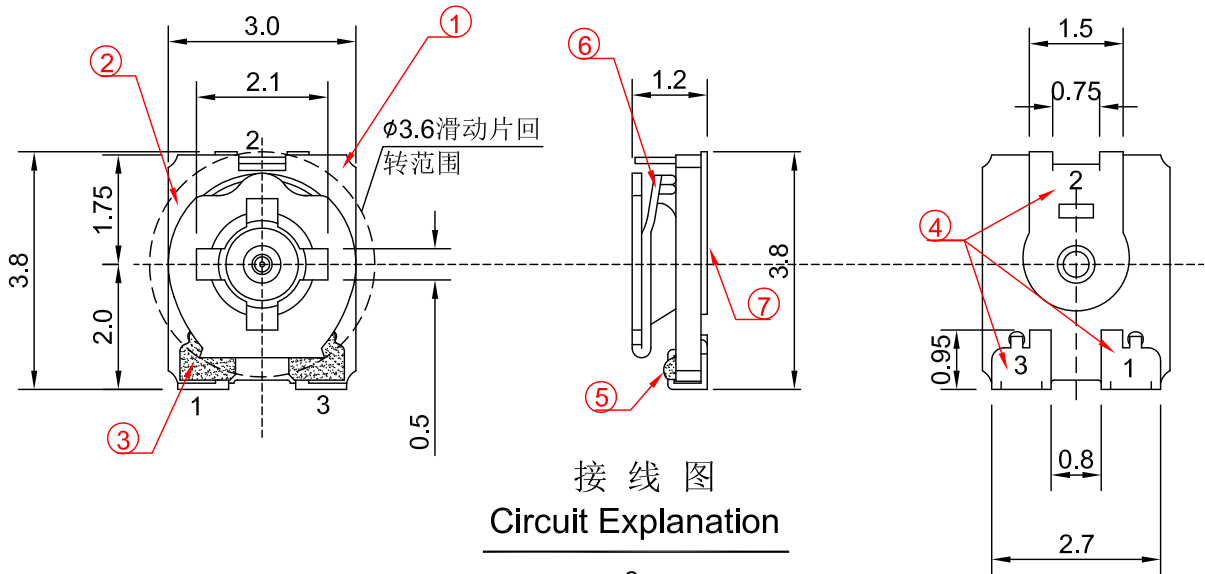
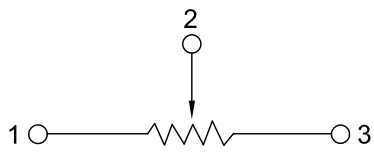


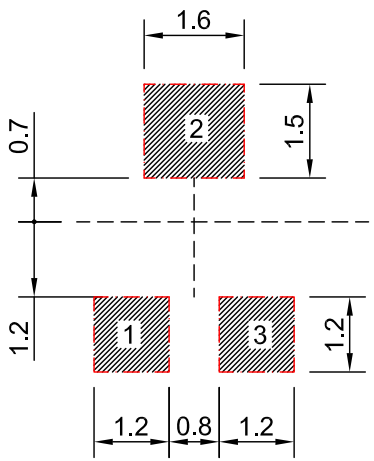
外形图 Mechanical Dimensions



接线图
Circuit Explanation



安装孔位置图
Mounting Hole



Material List

No.	Part Name	Base Material	Plating
①	Board	Ceramic Al ₂ O ₃	
②	Resistor	Metal Glaze Coating	
③	Electrode	AgPd	
④	Terminal (1,2&3)	Steel	Under plating Ni: 0.5~2 μ m Surface plating Ni: 2~4 μ m
⑤	Terminal Joint	Solder (Sn-3Ag-0.5Cu)	
⑥	Moving Contact	Stainless steel	
⑦	Sealing Resin	Acryl	

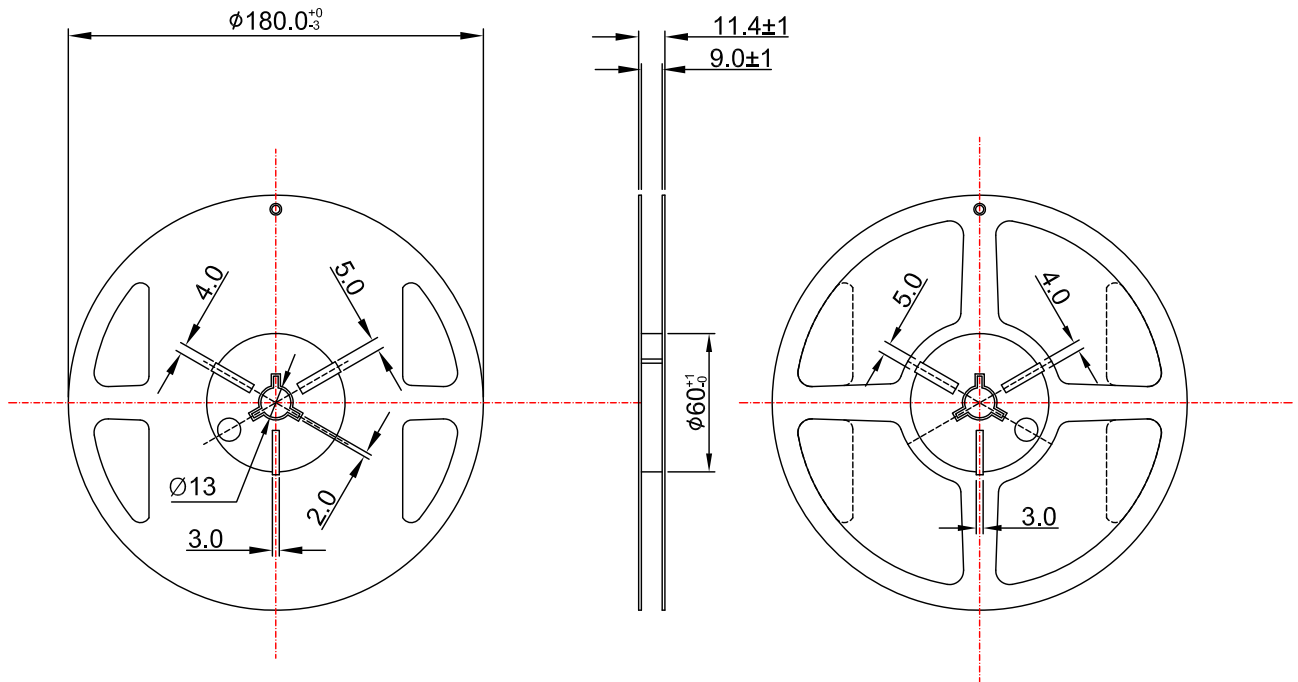
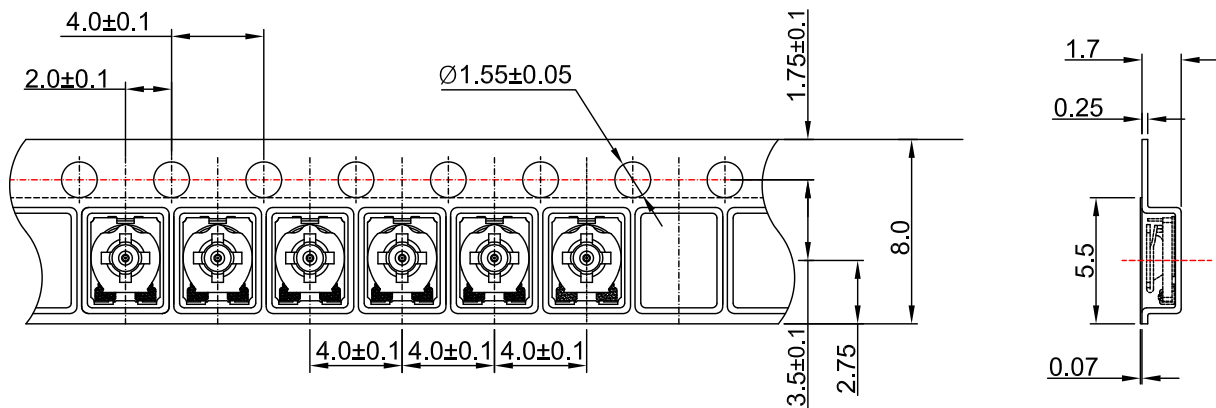
③			PRODUCT NAME		Semi-Fixed Potentiometer	
②			MODEL NAME		SC03T-Y1-value	
①			APPROVED BY		CHECKED BY	DRAWN BY
NO	DATE	DESCRIPTION				
DIMENSION	TOLERANCE	SCALE				
$\int \leq 10$	± 0.2	UNIT	mm			
$10 < \int \leq 30$	± 0.5	VER.	A0			
$30 < \int \leq 100$	± 1.0	DATE	2014-8-27			
All Angles	$\pm 5^\circ$					

一、微調電阻系列技術規格書

Common Specification For Semi-Fixed Potentiometers


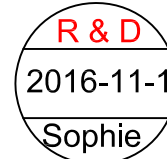
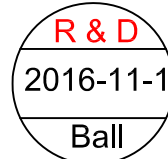
1. 電器性能 (Electrical Characteristic)					
序号	項目			特性	
1.1	全阻抗值 (Total Resistance)			100~1M Ω	
1.2	全阻抗值允許偏差 (Total Resistance Tolerance)			±25%	
1.3	阻值變化特性 (Resistance Taper)			B	
1.4	零位阻值 (Residual Resistance)			R≤10K 20ΩMax R>10K 1%Max.	
1.5	額定功率 (Rated Power)			0.1W	
1.6	最高使用電壓 (Max.Operating Voltage)			AC 50V	
1.7	動雜音 (Rotational Noise)			/	
1.8	抵抗溫度係數 (Temperature Coefficient)			±250ppm/°C	
1.9	操作溫度 (Operating Temperature Range)			-40~100°C	
2. 機械性能 (Mechanical Characteristics)					
2.1	全回轉角度 (Rotation Angle)			270°±20°	
2.2	旋轉力矩 (Rotation Torque)			10~100gf.cm	
2.3	轉動止檔強度 (Rotational Stop-End Torque)			0.5Kgf.cm.max	
2.4	焊錫耐熱性 (Resistance to soldering heat)			260±5°C and less than 3 seconds	
3. 耐久性能 (Durability)					
3.1	回轉壽命 (Rotation Life)			20 cycles ± 2cycles	
4. 外形尺寸圖/曲線特性圖 size drawing/curve characteristic drawing				(Shape 見附頁 (Please see attachment)	
5					
批 准			審 核		
				設 計	

外形图 Mechanical Dimensions

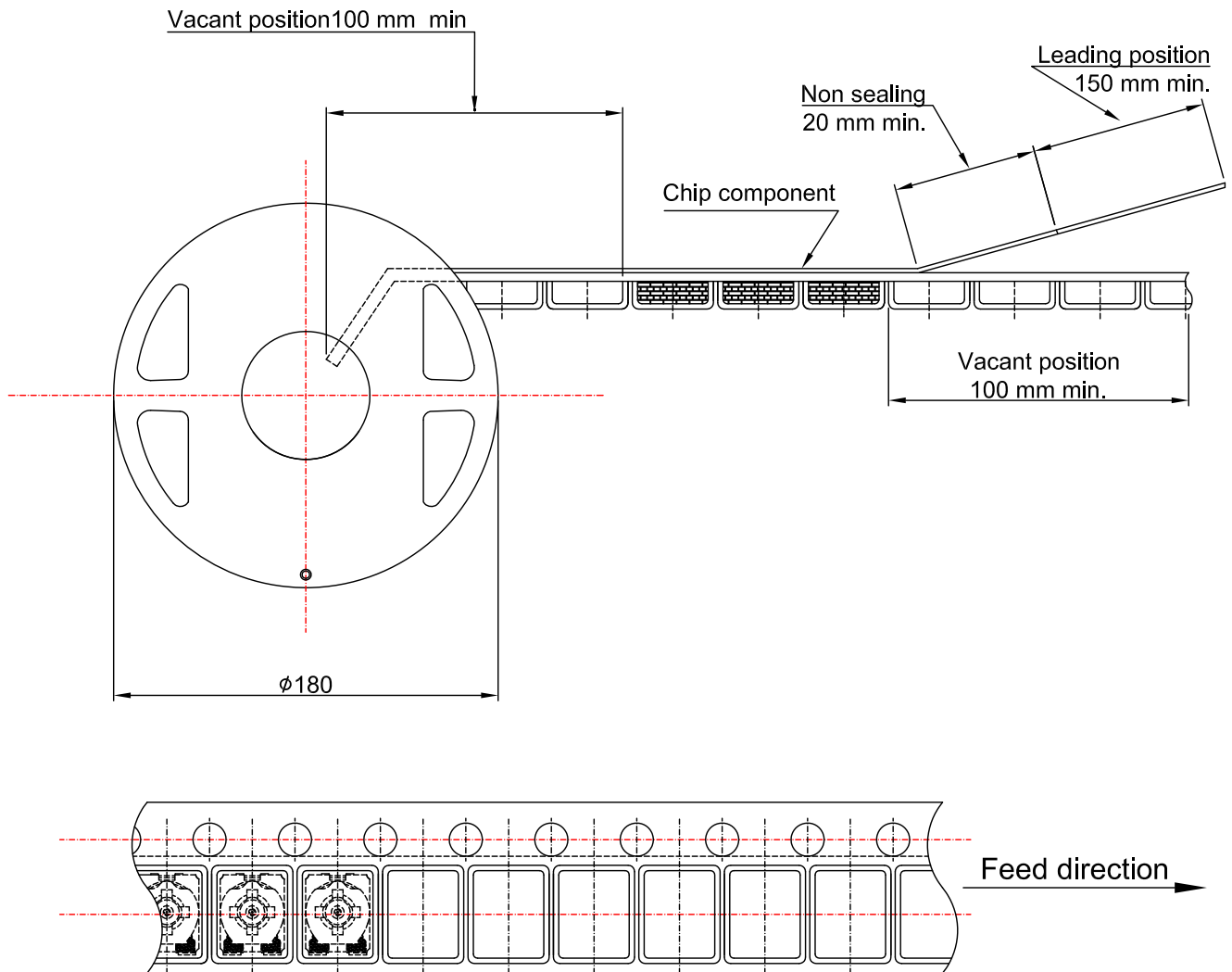


QUANTITY : 2,500 pcs / reel

3		
2		
1		
NO	DATE	DESCRIPTION
DIMENSION	TOLERANCE	SCALE
$\int \leq 10$	± 0.2	UNIT mm
$10 < \int \leq 30$	± 0.5	VER. A0
$30 < \int \leq 100$	± 1.0	DATE 2013/05/30
All Angles	$\pm 5^\circ$	

PRODUCT NAME	Taping Specificaion 01	
MODEL NAME	SC03T-YI	
APPROVED BY	CHECKED BY	DRAWN BY
 R & D 2016-11-1 Eva	 R & D 2016-11-1 Sophie	 R & D 2016-11-1 Ball

外形图 Mechanical Dimensions

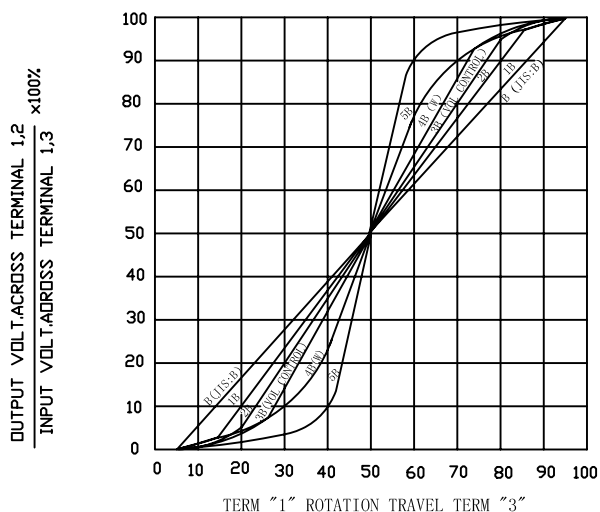


QUANTITY : 2,500 pcs / reel

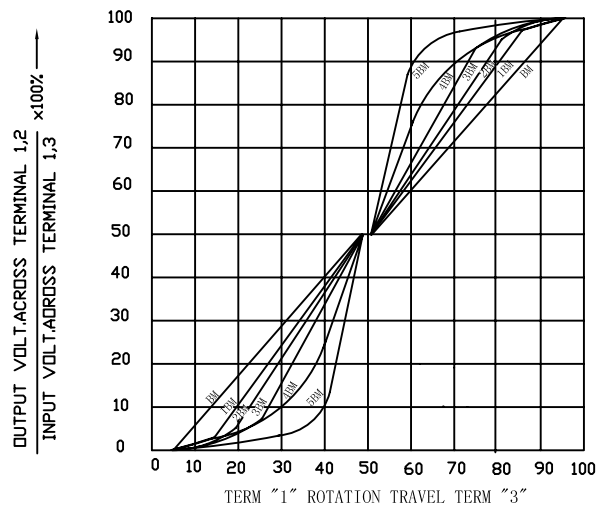
3				PRODUCT NAME	Taping Specificaion 02	
2				MODEL NAME	SC03T-YI	
1				APPROVED BY	CHECKED BY	DRAWN BY
NO	DATE	DESCRIPTION				
DIMENSION	TOLERANCE	SCALE				
$l \leq 10$	± 0.2	UNIT	mm			
$10 < l \leq 30$	± 0.5	VER.	A0			
$30 < l \leq 100$	± 1.0	DATE	2013/05/30			
All Angles	$\pm 5^\circ$					

RESISTANCE TAPER

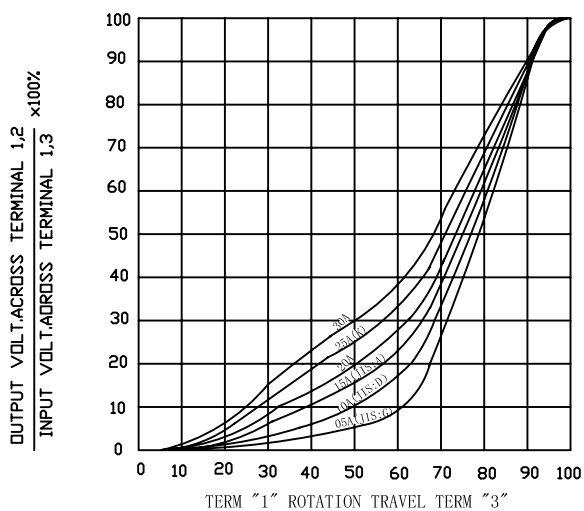
TAPER B SERIES



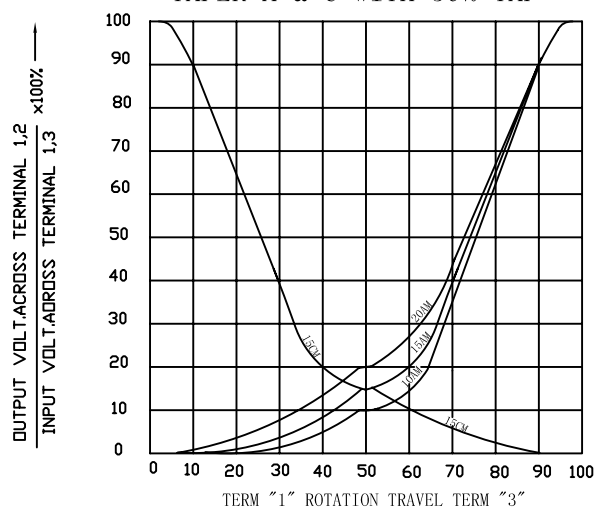
TAPER B WITH 50% TAP



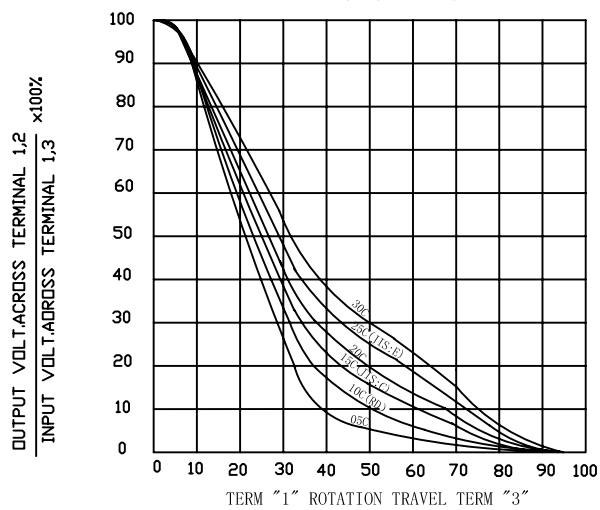
TAPER A SERIES



TAPER A & C WITH 50% TAP



TAPER C SERIES



TAPER M & N SERIES

