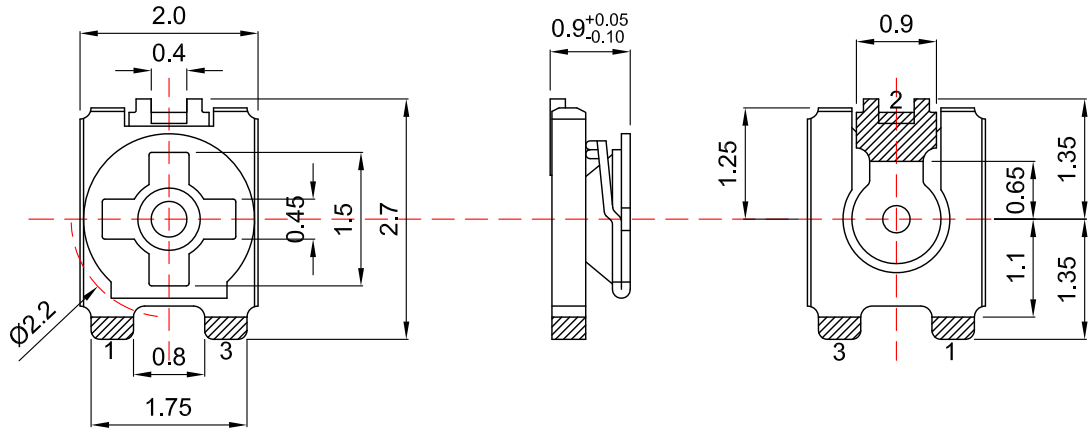
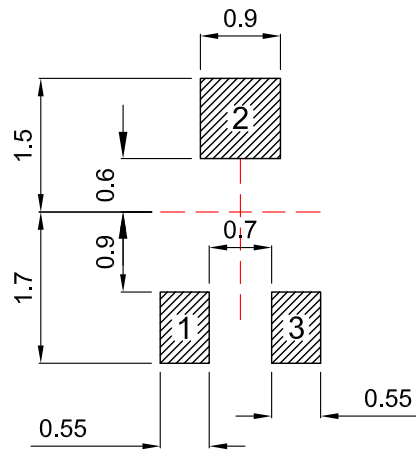
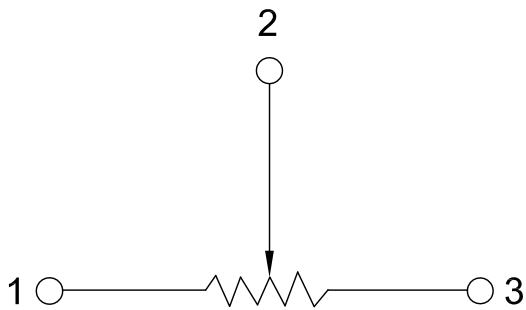


外形图 Mechanical Dimensions



安装孔位置图
Mounting Hole

接线图
Circuit explanation

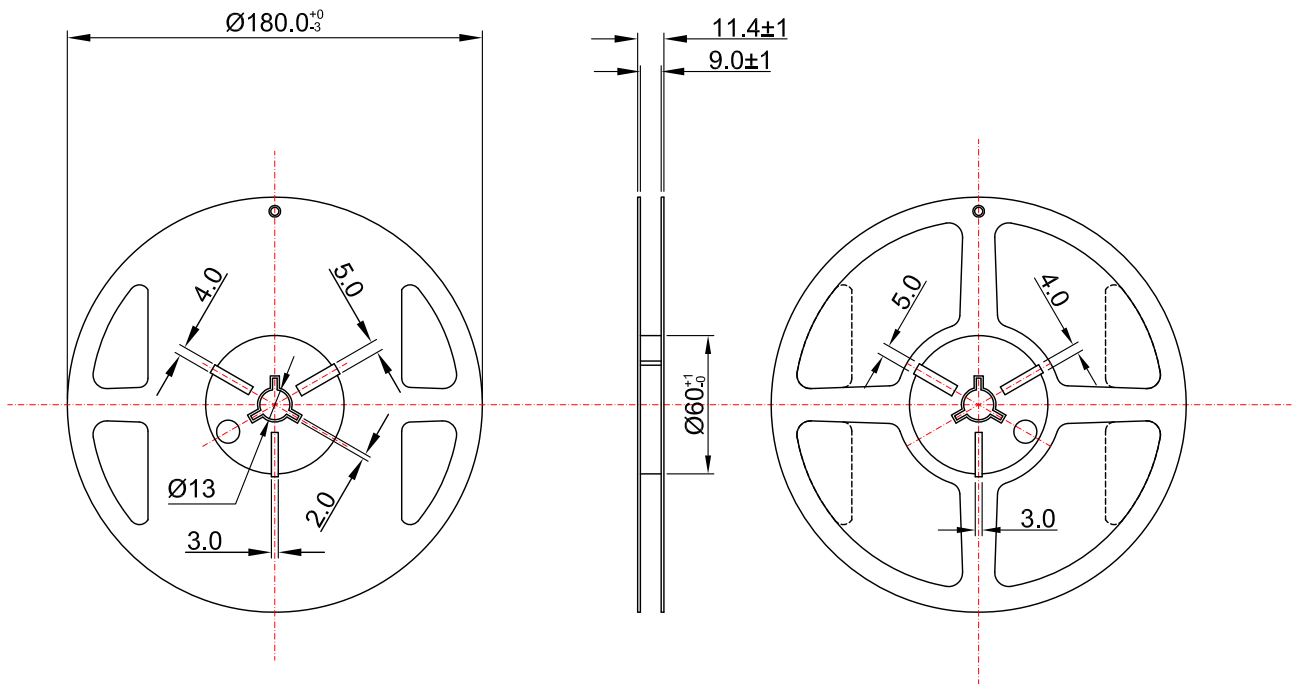
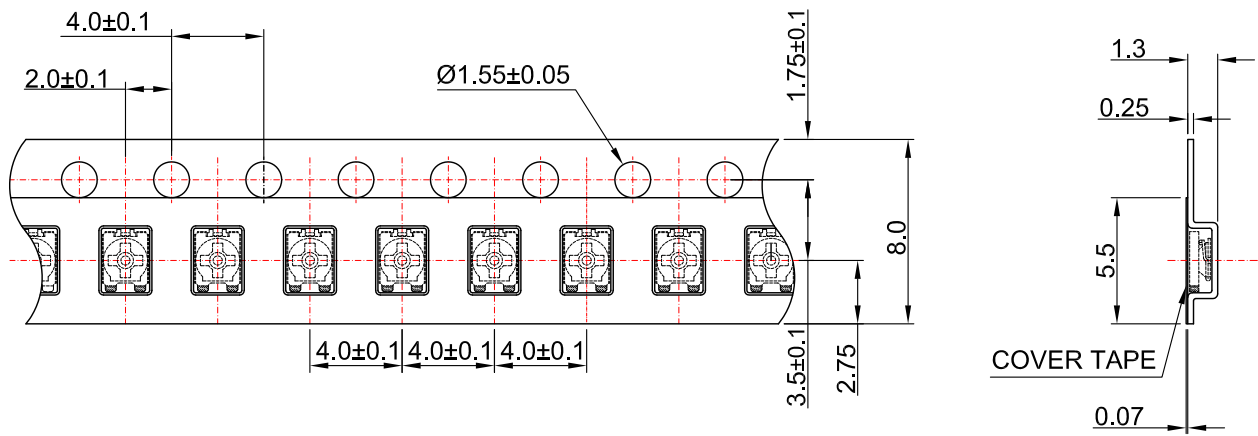


			PRODUCT NAME		Semi-Fixed Potentiometer		
			MODEL NAME		SC02T-Y1-value		
			APPROVED BY		CHECKED BY		DRAWN BY
NO	DATE	DESCRIPTION		Eva		Sophie	
DIMENSION	TOLERANCE	SCALE	2016/11/1		2016/11/1		2016/11/1
$f \leq 10$	± 0.2	UNIT	mm		R & D		R & D
$10 < f \leq 30$	± 0.5	VER.	A0		2016/11/1		2016/11/1
$30 < f \leq 100$	± 1.0	DATE	2014-8-27		Sophie		Dick
All Angles	$\pm 5^\circ$						

Semi-fix Potentiometers Series Specifications

1. 電氣性能 (Electrical Characteristics)					
1.1	全阻抗值 (Total Resistance)		100Ω ~ 1MΩ		
1.2	全阻抗值允許偏差 (Total Resistance Tolerance)		±25% (More than 1 M Ω ±30%)		
1.3	電阻隨溫度變化特性 Resistance of temperature change character)		20°C-75°C:ΔR/R≤±5%, -25°C-20°C:ΔR/R≤±4.5%		
1.4	阻值變化特性 (Resistance Taper)		B		
1.5	零位阻值 (Residual Resistance)		R≥250KΩ / 0.1 % max. of total Value 250KΩ>R>10KΩ / 20Ω max. 10KΩ≥R / 10Ω max.		
1.6	額定功率 (Rated Power)		Linear Taper B: 0.15W		
1.7	最高使用電壓 (Max.Operating Voltage)		50V AC		
1.10	耐電壓 (Withstand Voltage)		For 1 minute at: AC 50V		
1.8	耐溫特性 (Temperature Characteristic)		-10°C~70°C:ΔR/R≤±8%		
1.9	潮濕環境下負載性能 (Load Life In Humidity)		20%Max 350 hours rated in 90%RH 40°C		
2. 機械性能 (Mechanical Characteristics)					
2.1	全回轉角度 (Rotation Angle)		360°		
2.2	旋轉力矩 (Rotation Torque)		20~200gf.cm		
2.4	轉動止檔強度 (Rotational Stop-End Torque)		.-----		
2.8	焊錫耐熱性 (Resistance To Soldering Heat)		260±5°C and less than 3 seconds		
3. 耐久性能 (Durability)					
3.1	回轉壽命 (Rotation Life)		100 Cycles min.		
3.2	工作溫度 (Operating temperature)		-40°C~+125°C		
4.1	外形尺寸圖/曲線特性圖 (Shape size drawing/curve characteristic drawing)		見附頁 Please refer the drawing		
批准			審核		
			設計		

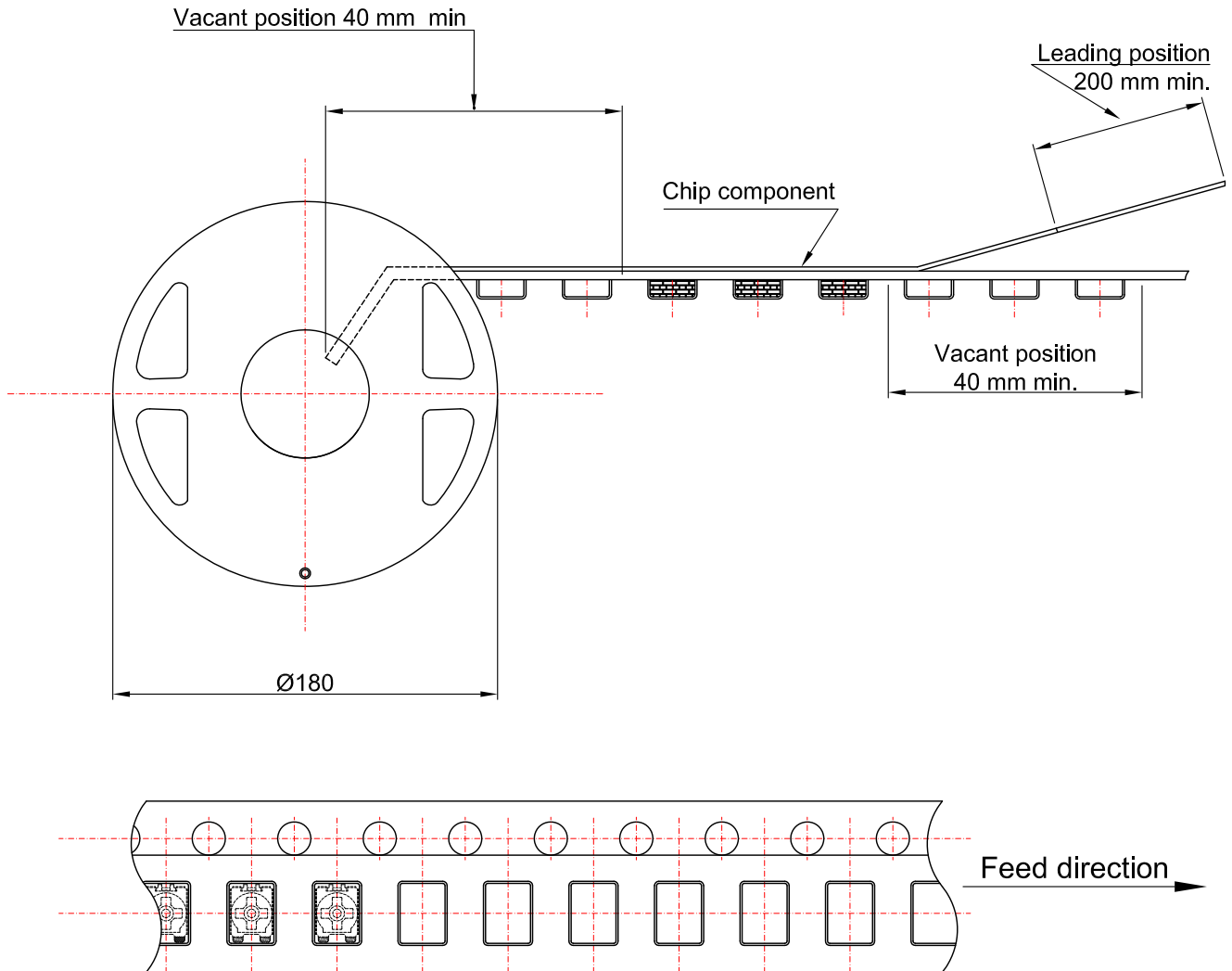
外形图 Mechanical Dimensions



QUANTITY : 3,000 pcs / reel

$\triangle 3$			PRODUCT NAME	Taping Specificaion 01			
$\triangle 2$			MODEL NAME	SC02T-YI			
$\triangle 1$			APPROVED BY	CHECKED BY	DRAWN BY		
NO	DATE	DESCRIPTION					
DIMENSION	TOLERANCE	SCALE					
$\int \leq 10$	± 0.2	UNIT					mm
$10 < \int \leq 30$	± 0.5	VER.					A0
$30 < \int \leq 100$	± 1.0	DATE					2013/05/30
All Angles	$\pm 5^\circ$						

外形图 Mechanical Dimensions

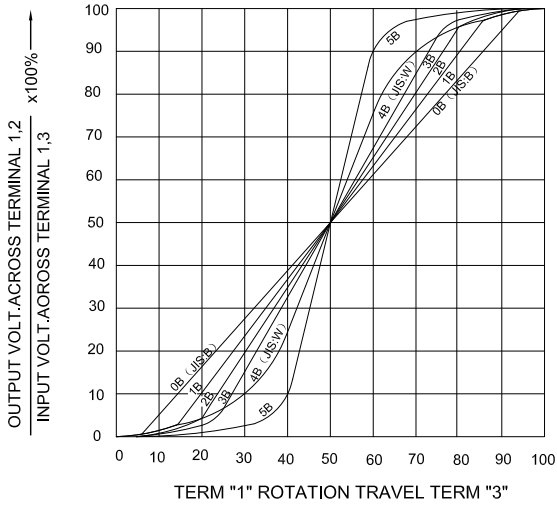


QUANTITY : 3,000 pcs / reel

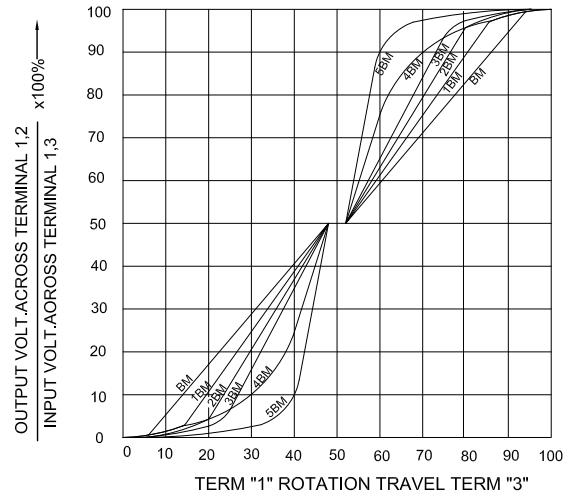
3				PRODUCT NAME	Taping Specificaion 02		
2				MODEL NAME	SC02T-YI		
1	NO	DATE	DESCRIPTION	APPROVED BY	CHECKED BY	DRAWN BY	
				<div style="border: 1px solid black; border-radius: 50%; padding: 5px; width: 60px; margin: 0 auto;"> <div style="color: red; font-weight: bold; text-align: center;">R & D</div> <div style="text-align: center;">2016/11/1</div> <div style="text-align: center;">Eva</div> </div>	<div style="border: 1px solid black; border-radius: 50%; padding: 5px; width: 60px; margin: 0 auto;"> <div style="color: red; font-weight: bold; text-align: center;">R & D</div> <div style="text-align: center;">2016/11/1</div> <div style="text-align: center;">Sophie</div> </div>	<div style="border: 1px solid black; border-radius: 50%; padding: 5px; width: 60px; margin: 0 auto;"> <div style="color: red; font-weight: bold; text-align: center;">R & D</div> <div style="text-align: center;">2016/11/1</div> <div style="text-align: center;">Dick</div> </div>	
	DIMENSION	TOLERANCE	SCALE				
	$l \leq 10$	± 0.2	UNIT	mm			
	$10 < l \leq 30$	± 0.5	VER.	A0			
	$30 < l \leq 100$	± 1.0	DATE	2013/05/30			
	All Angles	$\pm 5^\circ$					

RESISTANCE TAPER

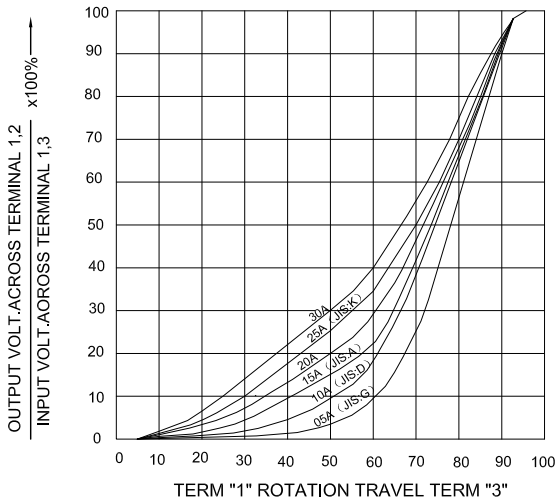
TAPER B SERIES



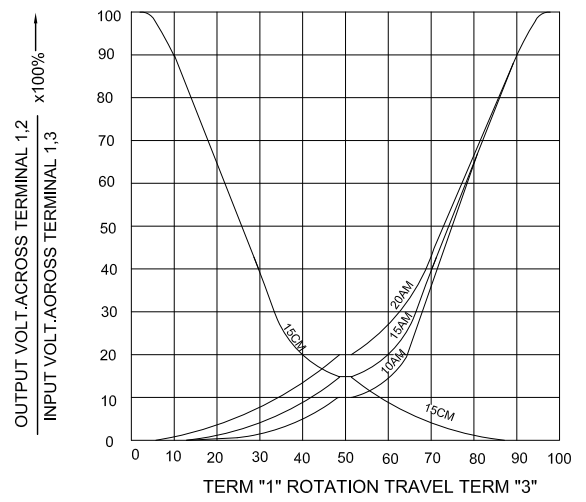
TAPER B WITH 50% TAP



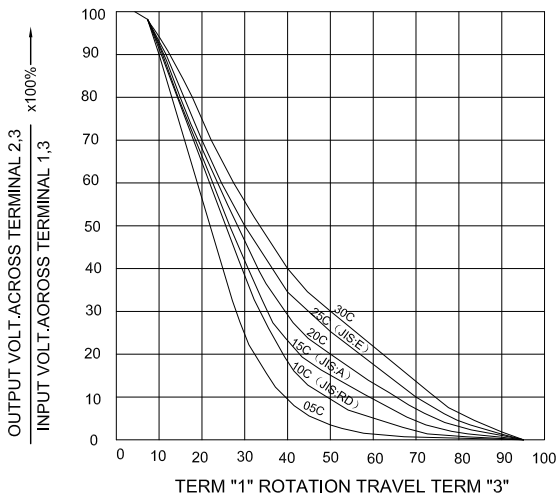
TAPER A SERIES



TAPER A & C WITH 50% TAP



TAPER C SERIES



TAPER M & N SERIES

