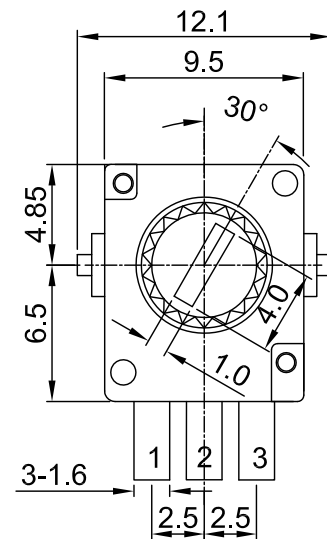
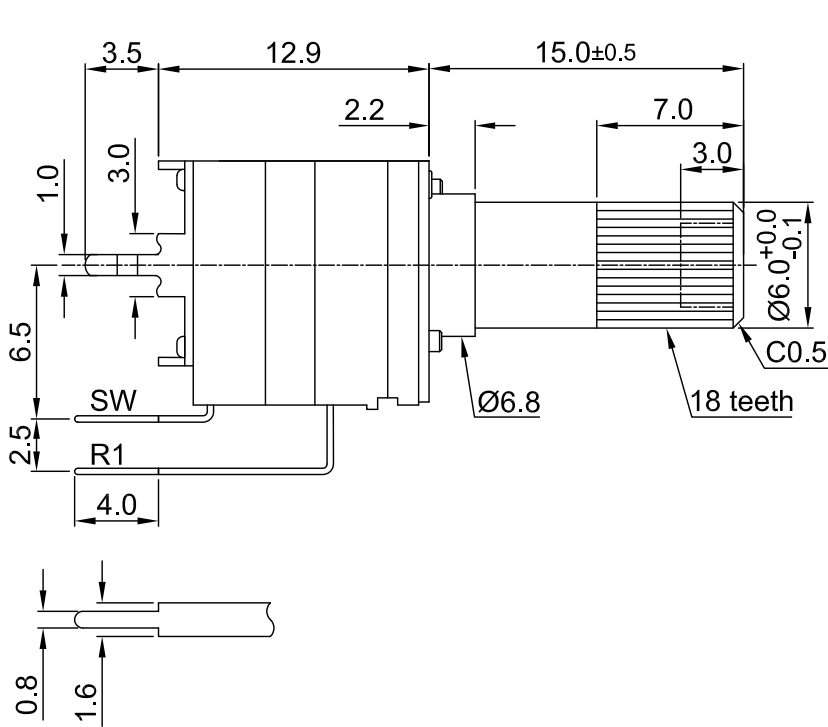
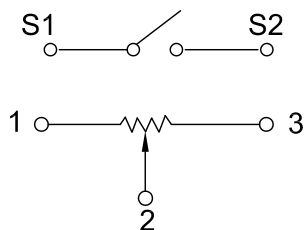


外形图 Mechanical Dimensions

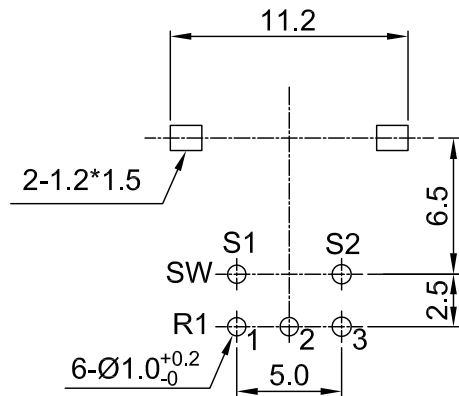


Shaft shown in full
C.C.W. position

接线图
Circuit Explanation





安装孔位置图
P.C.B. mounting hole detail



3				PRODUCT NAME	Rotary Potentiometer	
2				MODEL NAME	RB0913NS-2D1-value	
1	NO	DATE	DESCRIPTION	APPROVED BY	CHECKED BY	DRAWN BY
			DIMENSION			
			TOLERANCE			
			SCALE			
			UNIT			
			mm			
			VER.			
			A0			
			DATE			
			2013/05/30			
			All Angles			
			± 5°			

9 mm Rotary Series Potentiometers with SW Specifications

1. 電氣性能 (Electrical Characteristics)					
1.1	全阻抗值 (Total Resistance) 1KΩ ~ 2MΩ				
1.2	全阻抗值允許偏差 (Total Resistance Tolerance) ±20% (More than 1 M Ω ±30%)				
1.3	電阻隨溫度變化特性 Resistance of temperature change character) 20°C-75°C:ΔR/R≤±5%, -25°C-20°C:ΔR/R≤±4.5%				
1.4	阻值變化特性 (Resistance Taper) A, B , C, W				
1.5	零位阻值 (Residual Resistance) R>250KΩ / 0.1 % max. of total Value 250KΩ>R>10KΩ / 20Ω max. 10KΩ>R / 10Ω max.				
1.6	額定功率 (Rated Power) Linear Taper B: 0.05W Other Taper:0.025W				
1.7	最高使用電壓 (Max.Operating Voltage) 50V AC				
1.8	動雜音 (Rotational Noise) Less Than 100mV				
1.9	絕緣阻抗 (Insulation Resistance) More than 100MΩ at DC 250V				
1.10	耐電壓 (Withstand Voltage) For 1 minute at: AC 250V				
1.11	開關額定功率(Switch Rated Power) DV 12V, 1.0 A max.				
1.12	同步誤差 (Gang Error) -----				
2. 機械性能 (Mechanical Characteristics)					
2.1	全回轉角度 (Rotation Angle) 300°±5°				
2.2	旋轉力矩 (Rotation Torque) 20~200gf.cm				
2.3	軸的拉、押強度 (Pull-Push Strength) 5 Kgf.cm				
2.4	轉動止檔強度 (Rotational Stop-End Torque) 3 kgf.cm Min				
2.5	開關角度(Switch Working Angel) ≤50°				
2.6	開關力矩(Switch Working Torque) 50~350gf.cm				
2.7	旋轉定位數目 (Number of Detents(click) detent: 0, centre, 11, 21, 31, 41				
2.8	焊錫耐熱性 (Resistance To Soldering Heat) 260±5°C and less than 3 seconds				
3. 耐久性能 (Durability)					
3.1	回轉壽命 (Rotation Life) 10,000 Cycles min.				
3.2	工作溫度 (Operating temperature) -10°C~+70°C				
4.1	外形尺寸圖/曲線特性圖 (Shape size drawing/curve characteristic drawing) 見附頁 Please refer the drawing				
批 准		審 核		設 計	