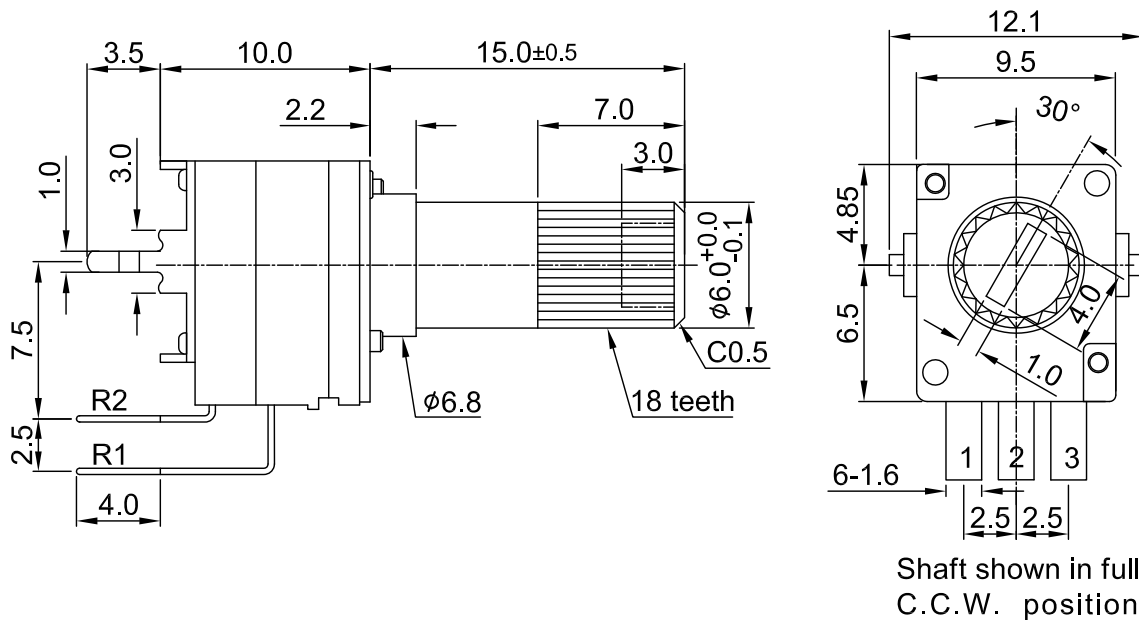
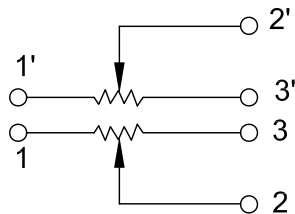


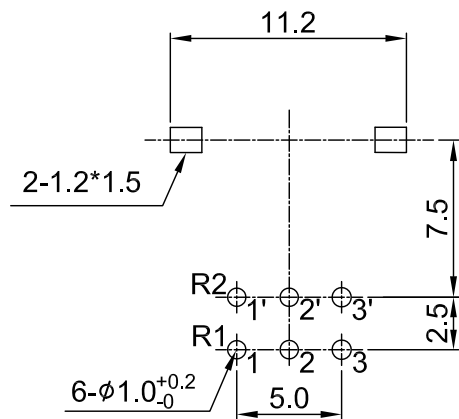
外形图 Mechanical Dimensions



接线图 Circuit Explanation






安装孔位置图 P.C.B. mounting hole detail



3			PRODUCT NAME	Rotary Potentiometer		
2			MODEL NAME	RB0923G-2D1-value		
1			APPROVED BY	CHECKED BY	DRAWN BY	
NO	DATE	DESCRIPTION				
DIMENSION	TOLERANCE	SCALE				
$\int \leq 10$	± 0.2	UNIT	mm			
$10 < \int \leq 30$	± 0.5	VER.	A0			
$30 < \int \leq 100$	± 1.0	DATE	2013/05/30			
All Angles	$\pm 5^\circ$					

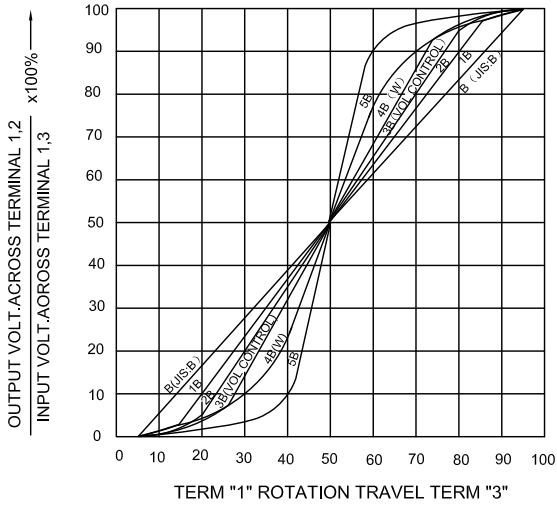
9 mm Rotary Potentiometers series Specifications

1.電氣性能 (Electrical Characteristics)				
1.1	全阻抗值 (Total Resistance)	1KΩ ~ 2MΩ		
1.2	全阻抗值允許偏差 (Total Resistance Tolerance)	±20% (More than 1 M Ω ±30%)		
1.3	電阻隨溫度變化特性 Resistance of temperature change character)	20°C-75°C:ΔR/R≤±5%, -25°C-20°C:ΔR/R≤±4.5%		
1.4	阻值變化特性 (Resistance Taper)	A, B, C, W		
1.5	零位阻值 (Residual Resistance)	R≥250KΩ / 0.1 % max. of total Value 250KΩ>R>10KΩ / 20Ω max. 10KΩ≥R / 10Ω max.		
1.6	額定功率 (Rated Power)	Linear Taper B: 0.05W Other Taper:0.025W		
1.7	最高使用電壓 (Max.Operating Voltage)	50V AC		
1.8	動雜音 (Rotational Noise)	Less Than 100mV		
1.9	絕緣阻抗 (Insulation Resistance)	More than 100MΩ at DC 250V		
1.10	耐電壓 (Withstand Voltage)	For 1 minute at: AC 300V		
1.11	開關額定功率(Switch Rated Power)	-----		
1.12	同步誤差 (Gang Error)	-----		
2.機械性能 (Mechanical Characteristics)				
2.1	全回轉角度 (Rotation Angle)	280°±10°		
2.2	旋轉力矩 (Rotation Torque)	20~200gf.cm		
2.3	軸的拉、押強度 (Pull-Push Strength)	Pull 3Kgf.cm / Push 5 Kgf.cm		
2.4	轉動止檔強度 (Rotational Stop-End Torque)	2.5 kgf.cm Min		
2.5	開關角度(Switch Working Angel)	-----		
2.6	開關力矩(Switch Working Torque)	-----		
2.7	旋轉定位數目 (Number of Detents(click))	detent: 0, Or 1 centre click		
2.8	焊錫耐熱性 (Resistance To Soldering Heat)	260±5°C and less than 3 seconds		
3.耐久性能 (Durability)				
3.1	回轉壽命 (Rotation Life)	10,000 Cycles min.		
3.2	工作溫度 (Operating temperature)	-10°C~+70°C		
4.1	外形尺寸圖/曲線特性圖 (Shape size drawing/curve characteristic drawing)	見附頁 Please refer the drawing		
批 准		審 核		設 計
				

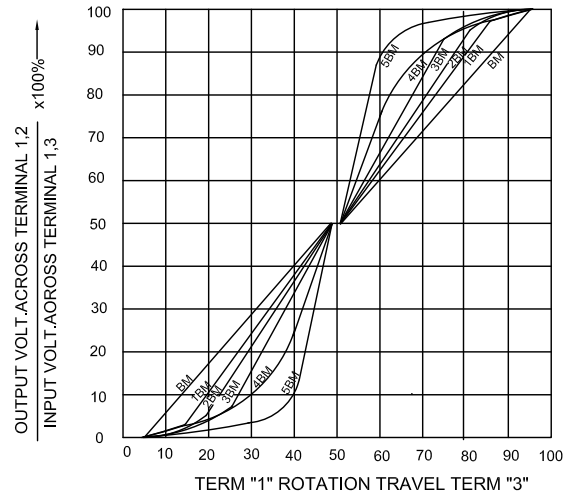
RESISTANCE TAPER



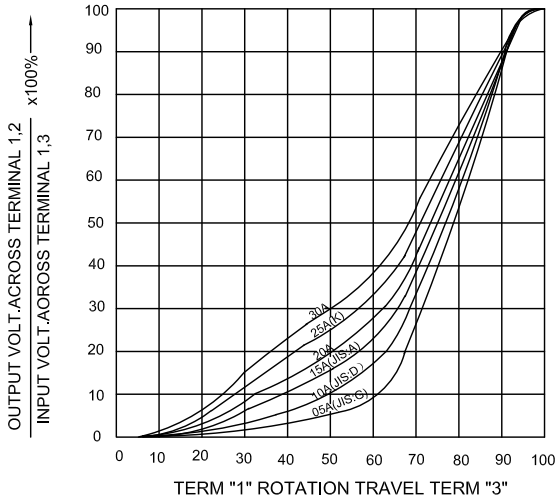
TAPER B SERIES



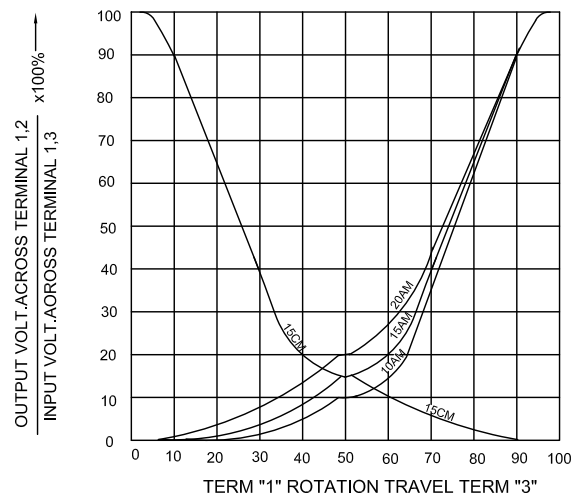
TAPER B WITH 50% TAP



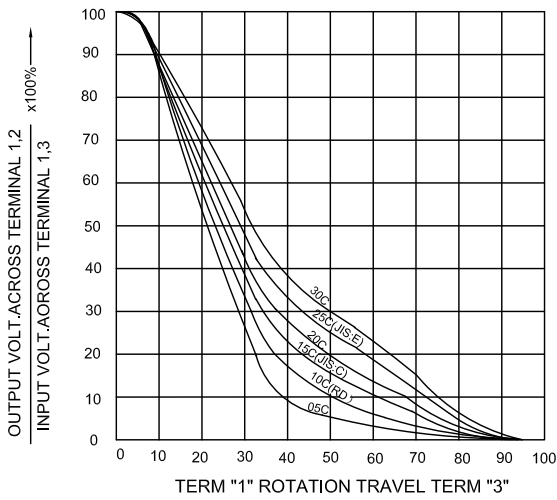
TAPER A SERIES



TAPER A & C WITH 50% TAP



TAPER C SERIES



TAPER M & N SERIES

