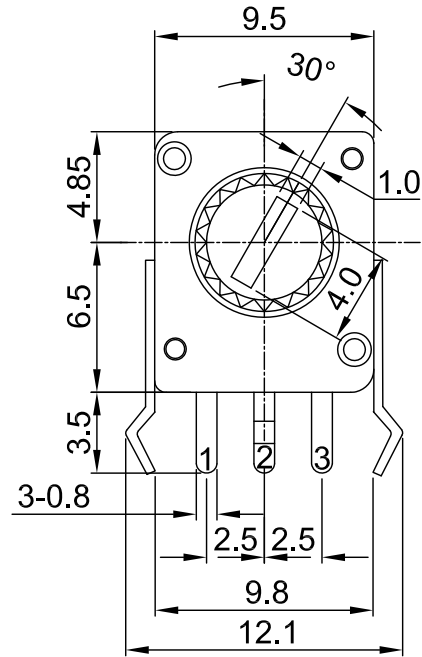
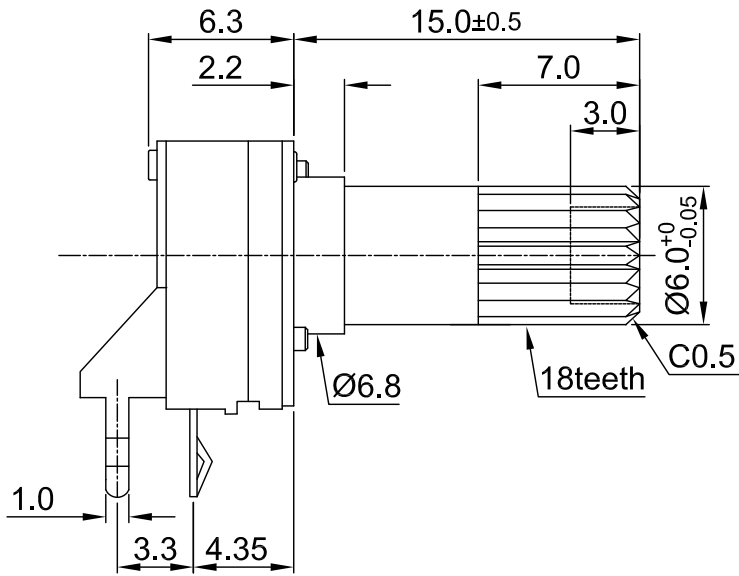
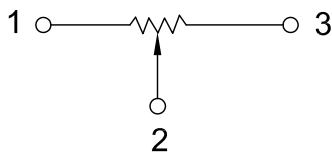


外形图 Mechanical Dimensions

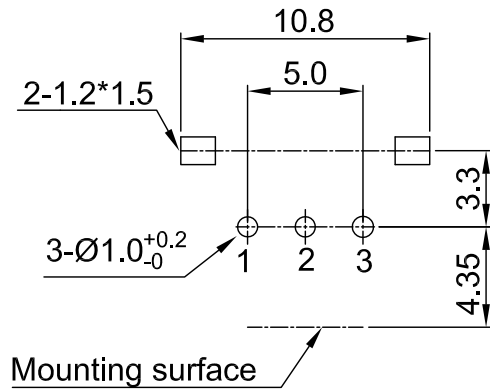


Shaft shown in full
C.C.W. position

接线图
Circuit explanation



安装孔位置图
P.C.B. mounting hole detail



3				PRODUCT NAME	Rotary Potentiometer	
2				MODEL NAME	RB0913N-2A1-value	
1				APPROVED BY	CHECKED BY	DRAWN BY
NO	DATE	DESCRIPTION				
DIMENSION	TOLERANCE	SCALE				
$\int \leq 10$	± 0.2	UNIT	mm			
$10 < \int \leq 30$	± 0.5	VER.	A0			
$30 < \int \leq 100$	± 1.0	DATE	2013/05/30			
All Angles	$\pm 5^\circ$					