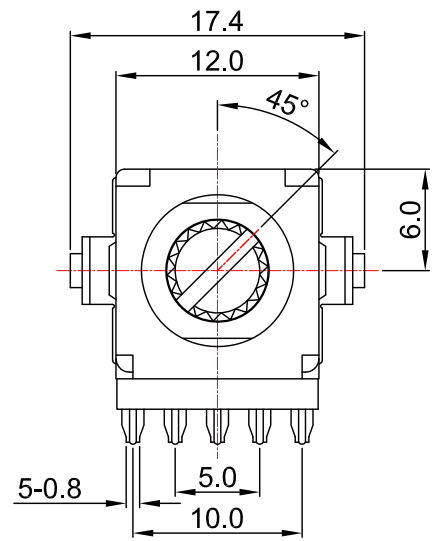
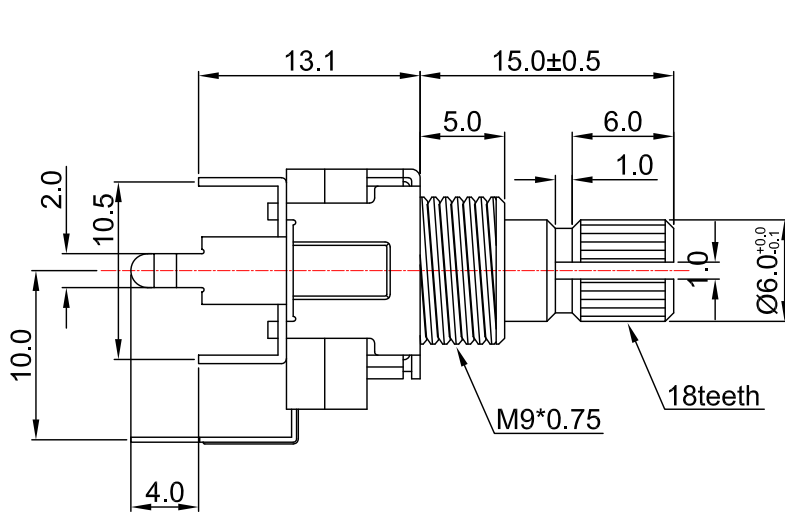
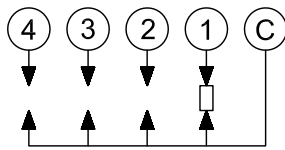


外形图 Mechanical Dimensions

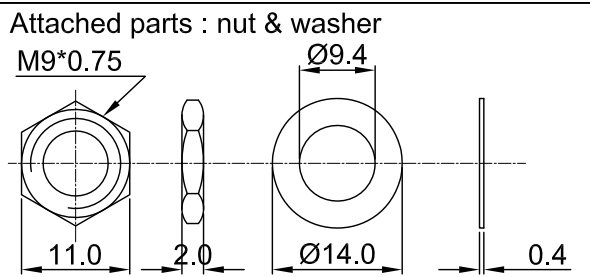
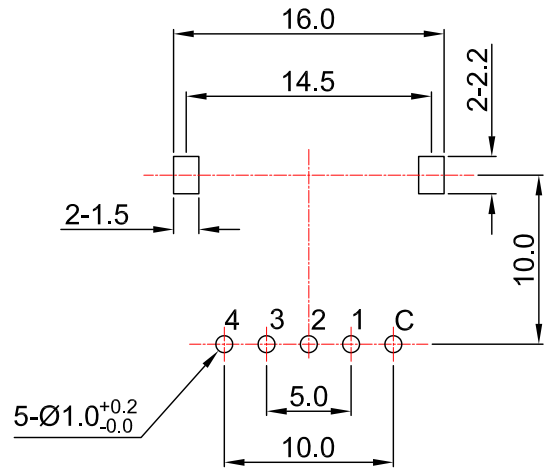


Shaft shown in full
C.C.W. position

接线图
Circuit explanation



安装孔位置图
P.C.B. mounting hole detail



3				PRODUCT NAME	Rotary Potentiometer	
2				MODEL NAME	RS12-15KQD1-1-4P	
1	NO	DATE	DESCRIPTION	APPROVED BY	CHECKED BY	DRAWN BY
			DIMENSION			
			TOLERANCE			
			SCALE			
			UNIT			
			VER.			
			DATE			
			All Angles			

R & D

2019/10/22

Eva

R & D

2019/10/22



Sophie

R & D

2019/10/22

Dick

12 mm Rotary Switch Specifications

1. 電氣性能 (Electrical Characteristic)					
序号	項目			特性	
1.1	額定功率 (Rated Power)			16V DC 3A	
1.2	絕緣阻抗 (Insulation Resistance)			100MΩ at DC 500V	
1.3	耐電壓 (Withstand Voltage)			For 1 minute at:AC 500V	
1.4	接觸電阻 (Contact Resistance)			50mΩ max.	
2. 機械性能 (Mechanical Characteristics)					
2.1	每段角度 (Step Angle)			30°±5°	
2.2	旋轉力矩 (Rotation Torque)			500±200gf.cm	
2.3	軸的拉、押強度 (Pull-Push Strength)			6Kgf	
2.4	轉動止檔強度 (Rotational Stop-End Torque)			5kgf.cm	
2.5	焊錫耐熱性 (Resistance To Soldering Heat)			260±5°C at 3 seconds	
2.6	使用溫度範圍: (Used Temperature Range)			-10°C ~ +70°C	
2.7	/			/	
3. 耐久性能 (Durability)					
3.1	回轉壽命 (Rotation Life)			10,000Cycles Min	
批 准			審 核		
				設 計	