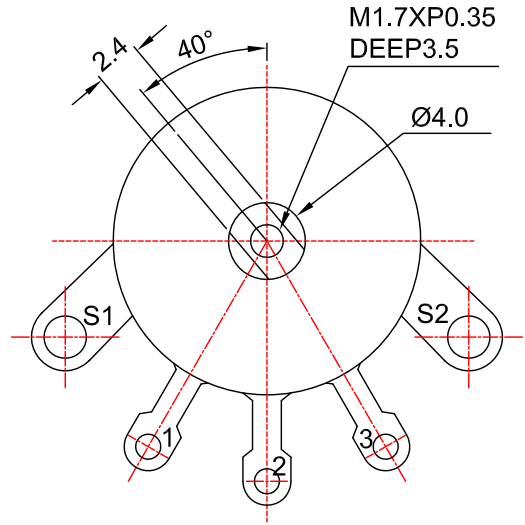
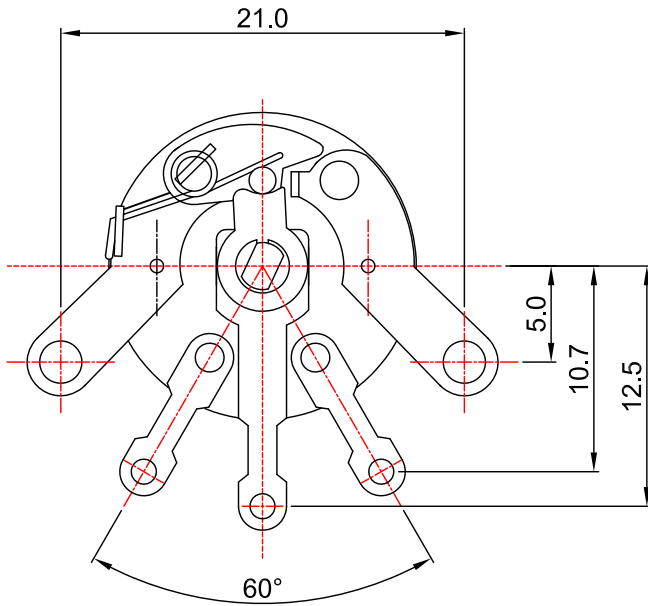
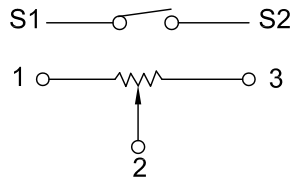
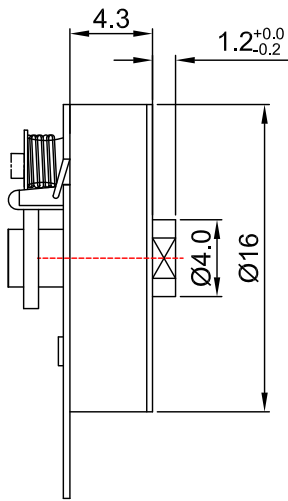


# 外形图 Mechanical Dimensions

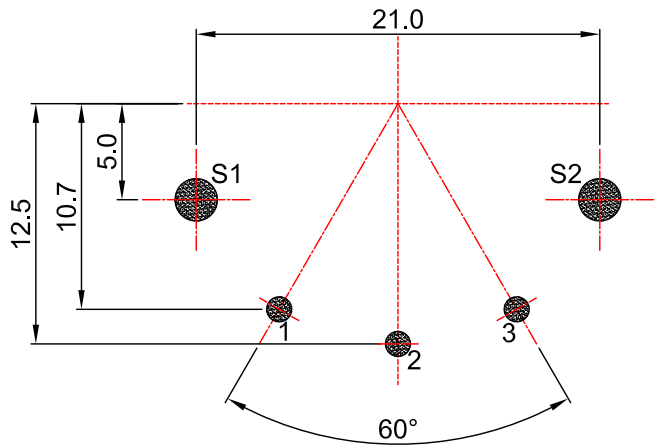


Shaft shown in full C.C.W. position

接线图  
Circuit explanation



安装孔位置图  
P.C.B. mounting hole detail



3			PRODUCT NAME	Rotary Potentiometer		
2			MODEL NAME	R167NS-1.2A1-Value		
1			APPROVED BY	CHECKED BY	DRAWN BY	
NO	DATE	DESCRIPTION				
DIMENSION	TOLERANCE	SCALE				
$\int \leq 10$	$\pm 0.2$	UNIT	mm			
$10 < \int \leq 30$	$\pm 0.5$	VER.	A0			
$30 < \int \leq 100$	$\pm 1.0$	DATE	2015/7/17			
All Angles	$\pm 5^\circ$					

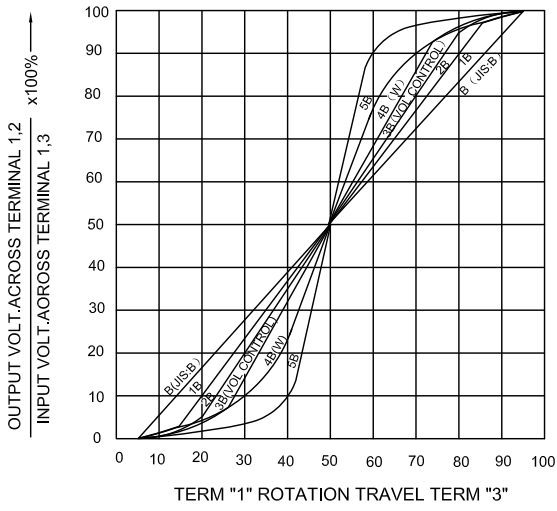
# 16 mm Rotary Potentiometers with SW series Specifications

1.電氣性能 (Electrical Characteristics)						
1.1	全阻抗值 (Total Resistance) <span style="float:right">500Ω ~ 1MΩ</span>					
1.2	全阻抗值允许偏差 (Total Resistance Tolerance) <span style="float:right">±20% ( More than 1 M Ω ±30%)</span>					
1.3	電阻隨溫度變化特性 Resistance of temperature change character) <span style="float:right">20°C-75°C:ΔR/R≤±5%, -25°C-20°C:ΔR/R≤±4.5%</span>					
1.4	阻值變化特性 (Resistance Taper) <span style="float:right">A, B, C, D</span>					
1.5	零位阻值 (Residual Resistance) <span style="float:right">R≥250KΩ / 0.1 % max. of total Value 250KΩ&gt;R&gt;10KΩ / 20Ω max. 10KΩ≥R / 10Ω max.</span>					
1.6	額定功率 (Rated Power) <span style="float:right">Linear Taper B: 0.1W Other Taper:0.05W</span>					
1.7	最高使用電壓 (Max.Operating Voltage) <span style="float:right">150V AC</span>					
1.8	動雜音 (Rotational Noise) <span style="float:right">Less Than 100mV</span>					
1.9	絕緣阻抗 (Insulation Resistance) <span style="float:right">More than 50MΩ at DC 500V</span>					
1.10	耐電壓 (Withstand Voltage) <span style="float:right">For 1 minute at: AC 500V</span>					
1.11	开关额定功率(Switch Rated Power) <span style="float:right">1A at AC/DC 12V</span>					
1.12	同步誤差 (Gang Error) <span style="float:right">-----</span>					
2.機械性能 (Mechanical Characteristics)						
2.1	全回轉角度 (Rotation Angle) <span style="float:right">260°±10°</span>					
2.2	旋轉力矩 (Rotation Torque) <span style="float:right">20~150gf.cm</span>					
2.3	軸的拉、押強度 (Pull-Push Strength) <span style="float:right">1 Kgf.cm</span>					
2.4	轉動止檔強度 (Rotational Stop-End Torque) <span style="float:right">2 kgf.cm Min</span>					
2.5	开关角度(Switch Working Angel) <span style="float:right">40°±5°</span>					
2.6	开关力矩(Switch Working Torque) <span style="float:right">150~450gf.cm</span>					
2.7	旋轉定位數目 (Number of Detents(click)) <span style="float:right">no detent</span>					
2.8	焊錫耐熱性 (Resistance To Soldering Heat) <span style="float:right">260±5°C and less than 3 seconds</span>					
3.耐久性能 (Durability)						
3.1	回轉壽命 (Rotation Life) <span style="float:right">10,000 Cycles min.</span>					
3.2	工作溫度 (Operating temperature) <span style="float:right">-10°C ~ +70°C</span>					
4.1	外形尺寸圖/曲線特性圖 (Shape size drawing/curve characteristic drawing) <span style="float:right">見附頁 Please refer the drawing</span>					
批准	<table style="width:100%; border:none;"> <tr> <td style="text-align:center; border:none;">  </td> <td style="text-align:center; border:none;">審 核</td> <td style="text-align:center; border:none;">  </td> <td style="text-align:center; border:none;">設 計</td> <td style="text-align:center; border:none;">  </td> </tr> </table>		審 核		設 計	
	審 核		設 計			

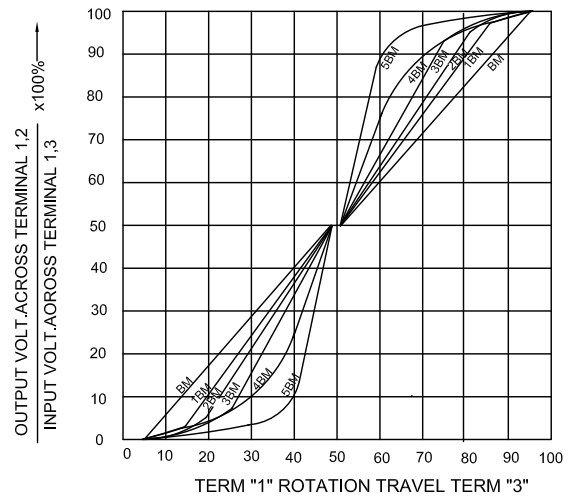
# RESISTANCE TAPER



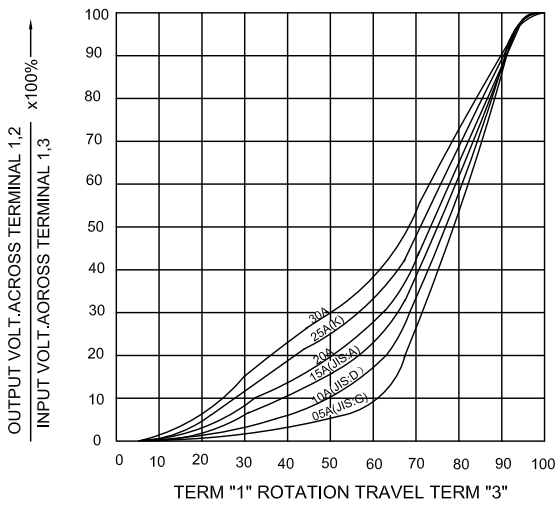
TAPER B SERIES



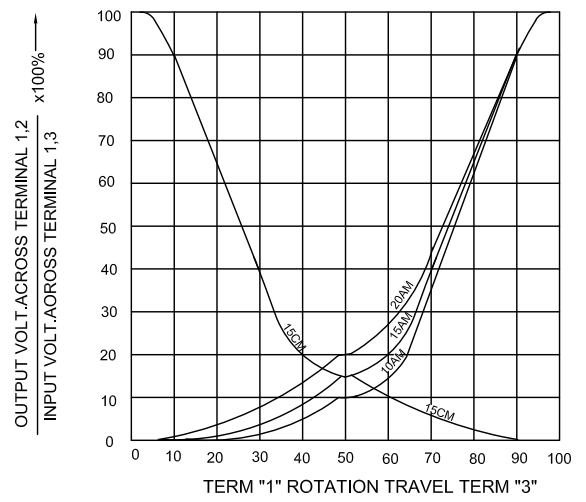
TAPER B WITH 50% TAP



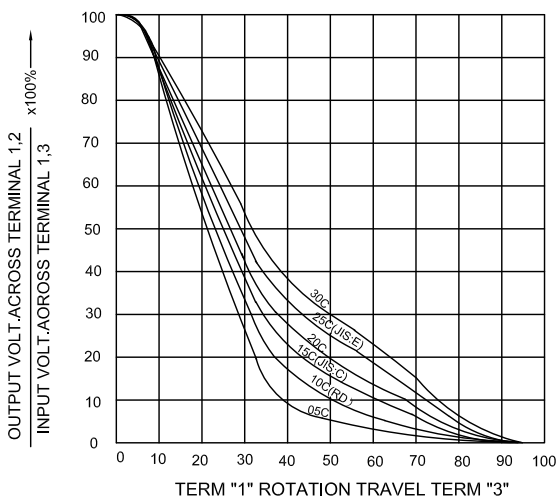
TAPER A SERIES



TAPER A & C WITH 50% TAP



TAPER C SERIES



TAPER M & N SERIES

