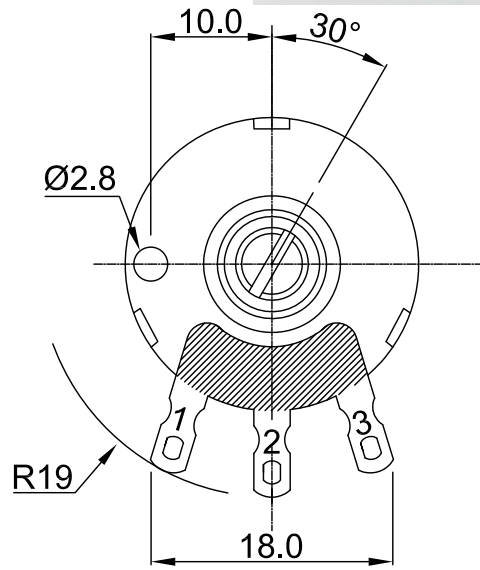
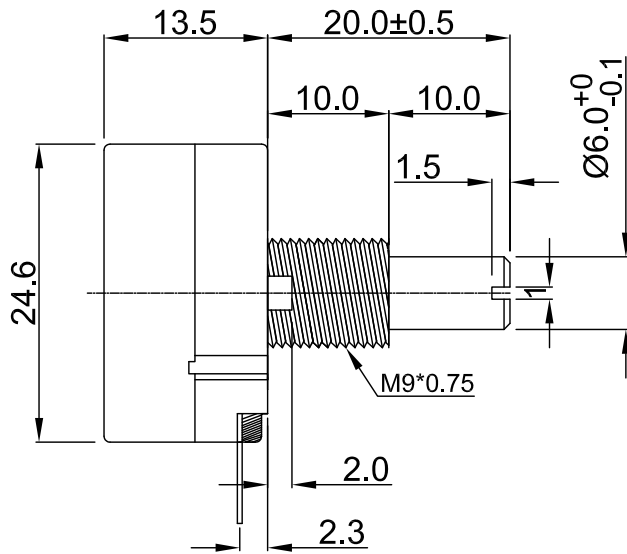
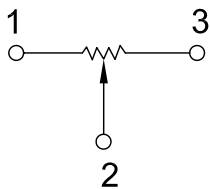


外形图 Mechanical Dimensions

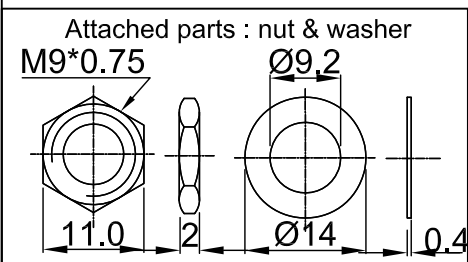
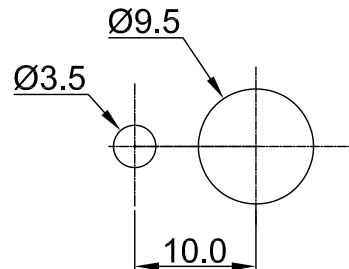


Shaft shown in full
C.C.W. position

接线图
Circuit explanation



安装孔位图
P.C.B. mounting hole detail



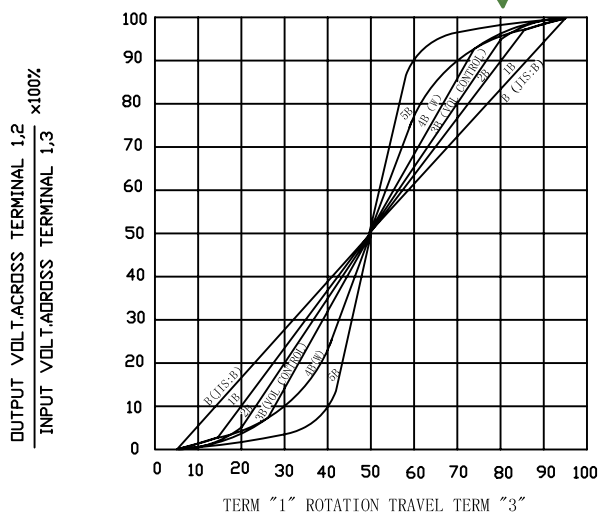
3					PRODUCT NAME	Rotary Potentiometer		
2					MODEL NAME	R24YN-RA1-value		
1								
NO	DATE	DESCRIPTION			APPROVED BY	CHECKED BY	DRAWN BY	
		DIMENSION	TOLERANCE	SCALE				
		$l \leq 10$	± 0.2	UNIT	R & D 2015-6-8 Eva	R & D 2015-6-8 Sophie	R & D 2015-6-8 Ball	
		$10 < l \leq 30$	± 0.5	mm				
		$30 < l \leq 100$	± 1.0	VER.				A0
		All Angles	$\pm 5^\circ$	DATE				2015-6-8

24 mm Rotary Potentiometers Series Specifications

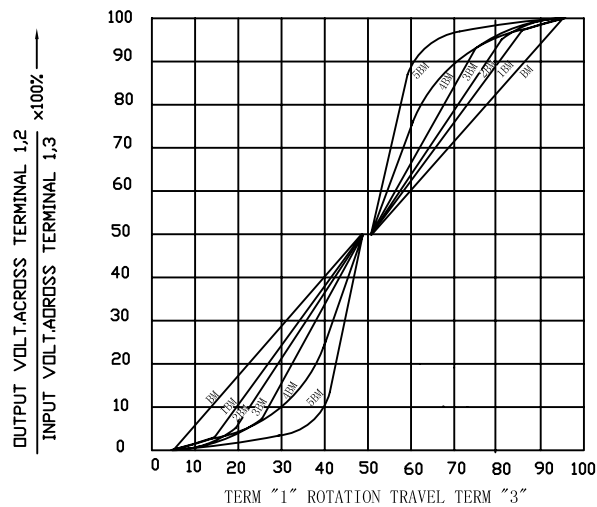
1. 電氣性能 (Electrical Characteristics)					
1.1	全阻抗值 (Total Resistance)	10KΩ			
1.2	全阻抗值允許偏差 (Total Resistance Tolerance)	±20% (More than 1 M Ω ±30%)			
1.3	電阻隨溫度變化特性 Resistance of temperature change character)	20℃-75℃:ΔR/R≤±5%, -25℃-20℃:ΔR/R≤±4.5%			
1.4	阻值變化特性 (Resistance Taper)	B			
1.5	零位阻值 (Residual Resistance)	R>250KΩ / 0.1 % max. of total Value 250KΩ>R>10KΩ / 20Ω max. 10KΩ>R / 10Ω max.			
1.6	額定功率 (Rated Power)	Linear Taper B: 0.5W Other Taper:0.25W			
1.7	最高使用電壓 (Max.Operating Voltage)	250V AC			
1.8	動雜音 (Rotational Noise)	Less Than 47mV			
1.9	絕緣阻抗 (Insulation Resistance)	More than 100MΩ at DC 500V			
1.10	耐電壓 (Withstand Voltage)	For 1 minute at: AC 500V			
1.11	開關額定功率(Switch Rated Power)	-----			
1.12	同步誤差 (Gang Error)	-----			
2. 機械性能 (Mechanical Characteristics)					
2.1	全回轉角度 (Rotation Angle)	300°±10°			
2.2	旋轉力矩 (Rotation Torque)	20~200gf.cm			
2.3	軸的拉、押強度 (Pull-Push Strength)	5 Kgf.cm			
2.4	轉動止檔強度 (Rotational Stop-End Torque)	5 kgf.cm Min			
2.5	開關角度(Switch Working Angel)	-----			
2.6	開關力矩(Switch Working Torque)	-----			
2.7	旋轉定位數目 (Number of Detents(click))	detent : 0,			
2.8	焊錫耐熱性 (Resistance To Soldering Heat)	<u>260±5</u> ℃ and less than <u>3</u> seconds			
3. 耐久性能 (Durability)					
3.1	回轉壽命 (Rotation Life)	15,000 Cycles min.			
3.2	工作溫度 (Operating temperature)	-10℃~+60℃			
4.1	外形尺寸圖/曲線特性圖 (Shape size drawing/curve characteristic drawing)	見附頁 Please refer the drawing			
批 准		審 核		設 計	

RESISTANCE TAPER

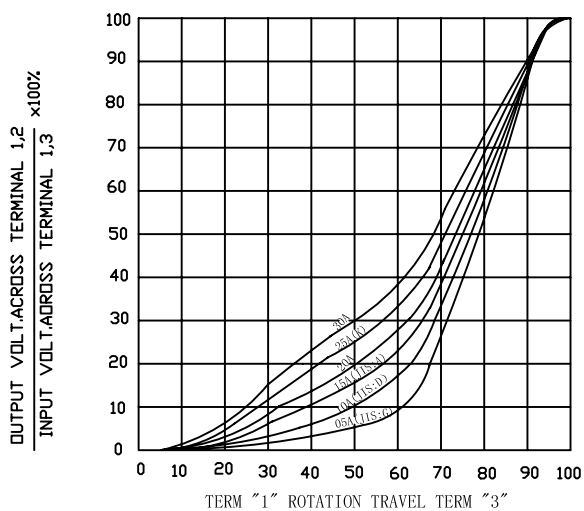
TAPER B SERIES



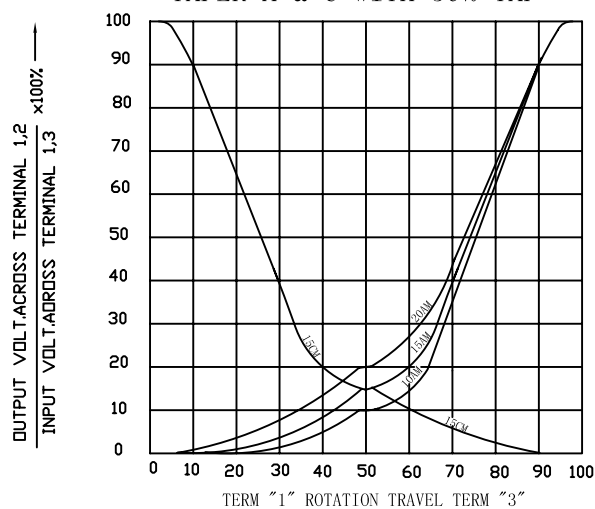
TAPER B WITH 50% TAP



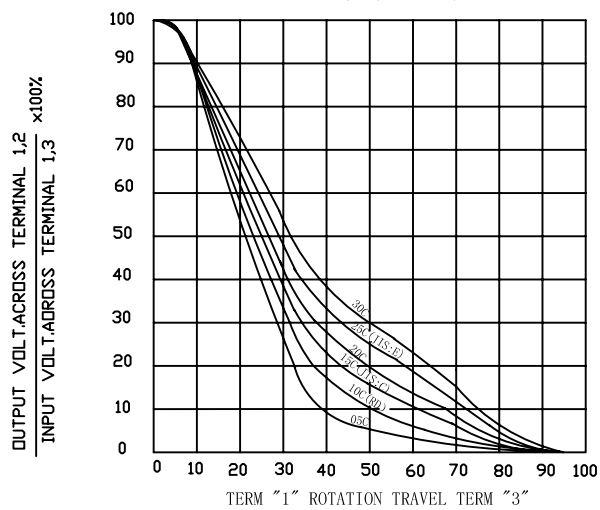
TAPER A SERIES



TAPER A & C WITH 50% TAP



TAPER C SERIES



TAPER M & N SERIES

