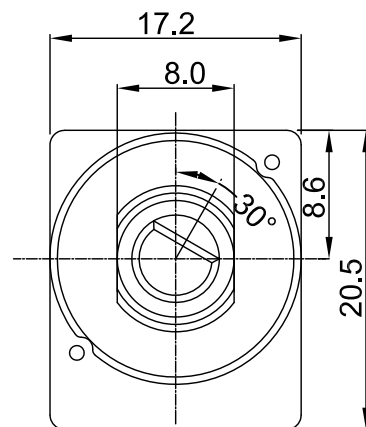
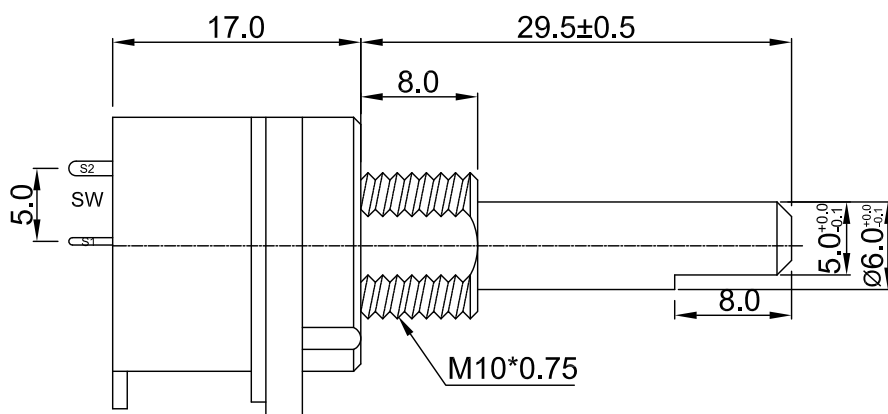
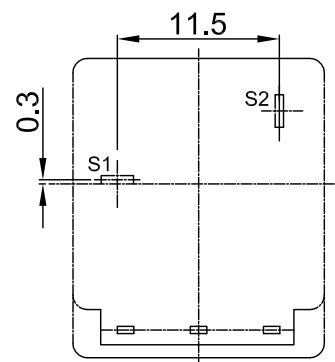
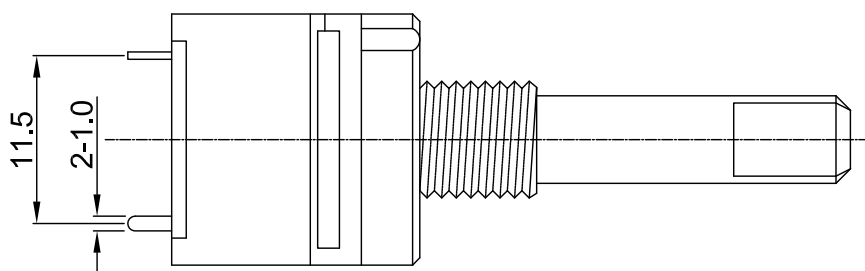


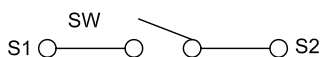
外形图
Mechanical Dimensions



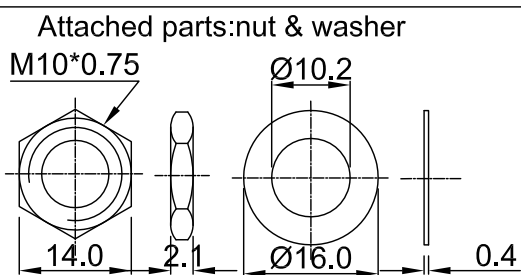
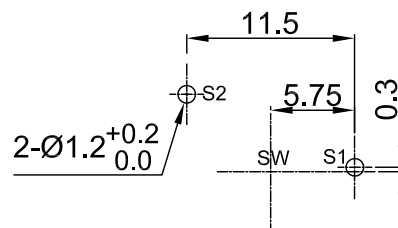
Shaft shown in full C.C.W. position



接线图
Circuit explanation



安装孔位置图
P.C.B. mounting hole detail



③				PRODUCT NAME	Switch Rotary potentiometer	
②				MODEL NAME	R16R2S-29.5FD1-Swch	
①				APPROVED BY	CHECKED BY	DRAWN BY
NO	DATE	DESCRIPTION				
DIMENSION	TOLERANCE	SCALE				
$\int \leq 10$	± 0.2	UNIT	mm			
$10 < \int \leq 30$	± 0.5	VER.	A0			
$30 < \int \leq 100$	± 1.0	DATE	2018/4/11			
All Angles	$\pm 5^\circ$					

16 mm Rotary Potentiometers with SW series Specifications

1.電氣性能 (Electrical Characteristics)			
1.1	全阻抗值 (Total Resistance)	-----	
1.2	全阻抗值允许偏差 (Total Resistance Tolerance)	±20% (More than 1 M Ω ±30%)	
1.3	電阻隨溫度變化特性 (Resistance of temperature change character)	20℃-75℃:ΔR/R≤±5%, -25℃-20℃:ΔR/R≤±4.5%	
1.4	阻值變化特性 (Resistance Taper)	-----	
1.5	零位阻值 (Residual Resistance)	R>250KΩ / 0.1 % max. of total Value 250KΩ>R>10KΩ / 20Ω max. 10KΩ>R / 10Ω max.	
1.6	額定功率 (Rated Power)	Linear Taper B: 0.2W Other Taper:0.1W	
1.7	最高使用電壓 (Max.Operating Voltage)	250VAC	
1.8	動雜音 (Rotational Noise)	Less Than 100mV	
1.9	絕緣阻抗 (Insulation Resistance)	More than 100MΩ at DC 500V	
1.10	耐電壓 (Withstand Voltage)	For 1 minute at: DC 500V	
1.11	开关額定功率(Switch Rated Power)	250VAC , 10A	
2.機械性能 (Mechanical Characteristics)			
2.1	全回轉角度 (Rotation Angle)	300°±5°	
2.2	旋轉力矩 (Rotation Torque)	10~100gf.cm	
2.3	軸的拉、押強度 (Pull-Push Strength)	6 Kgf.cm	
2.4	轉動止檔強度 (Rotational Stop-End Torque)	5 kgf.cm Min	
2.5	开关角度/行程 (Switch Working Angel/Travel)	50±10°	
2.6	开关力矩(Switch Working Torque)	50~150gf.cm	
2.7	旋轉定位數目 (Number of Detents(click))	0 detent	
2.8	焊錫耐熱性 (Resistance To Soldering Heat)	260±5℃ and less than 3 seconds	
3.耐久性能 (Durability)			
3.1	回轉壽命 (Rotation Life)	10,000 Cycles min.	
3.2	工作溫度 (Operating temperature)	-10℃~+70℃	
4.1	外形尺寸圖/曲線特性圖 (Shape size drawing/curve characteristic drawing)	見附頁 Please refer the drawing	
批准		審核 	設計 