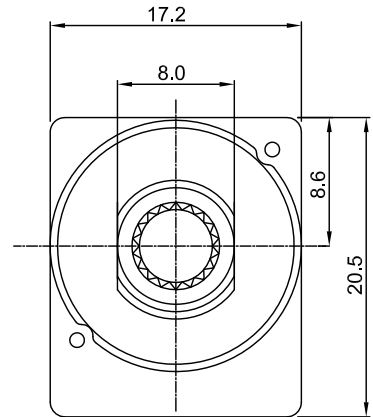
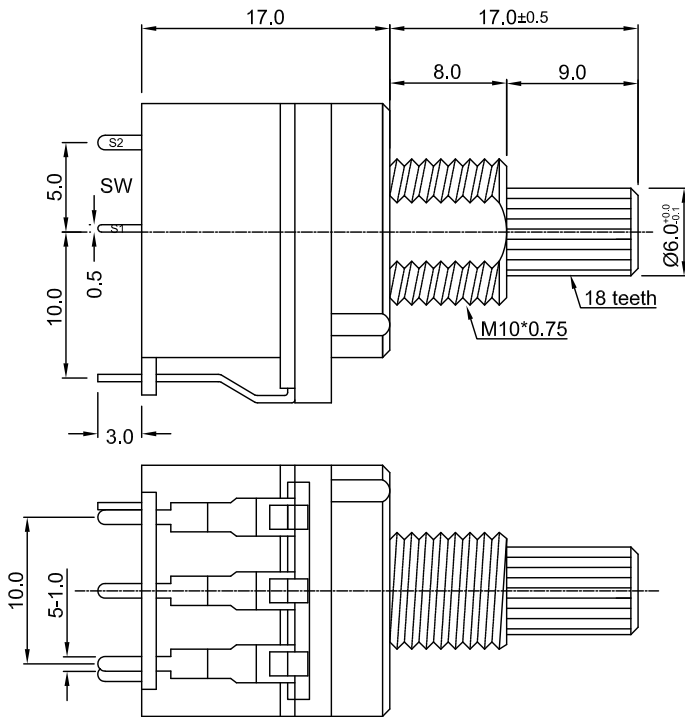
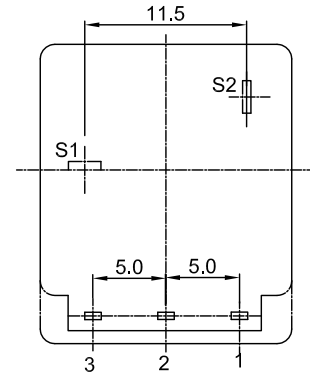
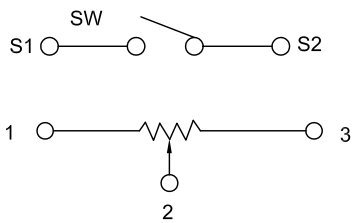


外形图  
Mechanical Dimensions

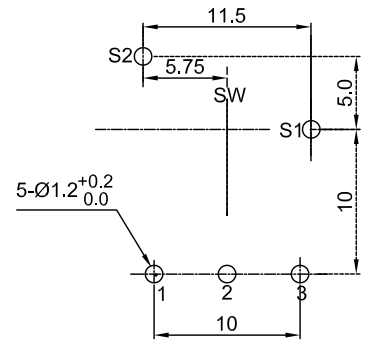


Shaft shown in full C.C.W. position

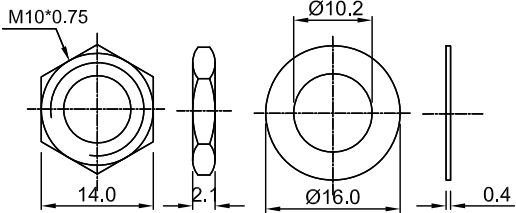
接线图  
Circuit explanation


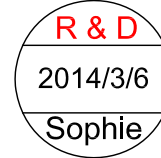
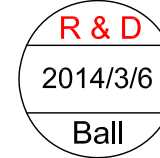


安装孔位置图  
P.C.B. mounting hole detail



Attached parts: nut & washer



3				PRODUCT NAME	Switch Rotary potentiometer	
2				MODEL NAME	R16R2S-BD1-value	
1				APPROVED BY	CHECKED BY	DRAWN BY
NO	DATE	DESCRIPTION				
DIMENSION	TOLERANCE	SCALE				
$\int \leq 10$	$\pm 0.2$	UNIT	mm			
$10 < \int \leq 30$	$\pm 0.5$	VER.	A0			
$30 < \int \leq 100$	$\pm 1.0$	DATE	2014/3/6			
All Angles	$\pm 5^\circ$					