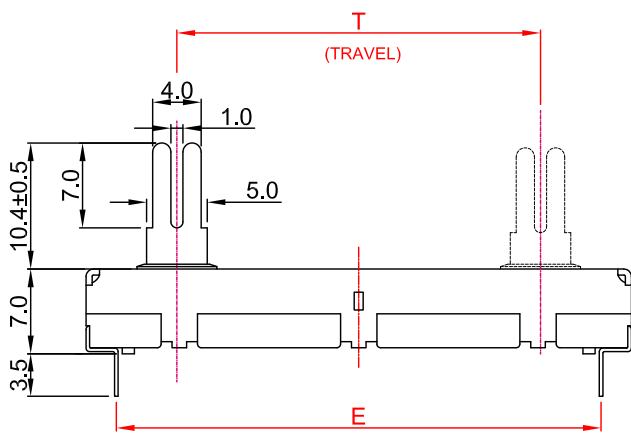
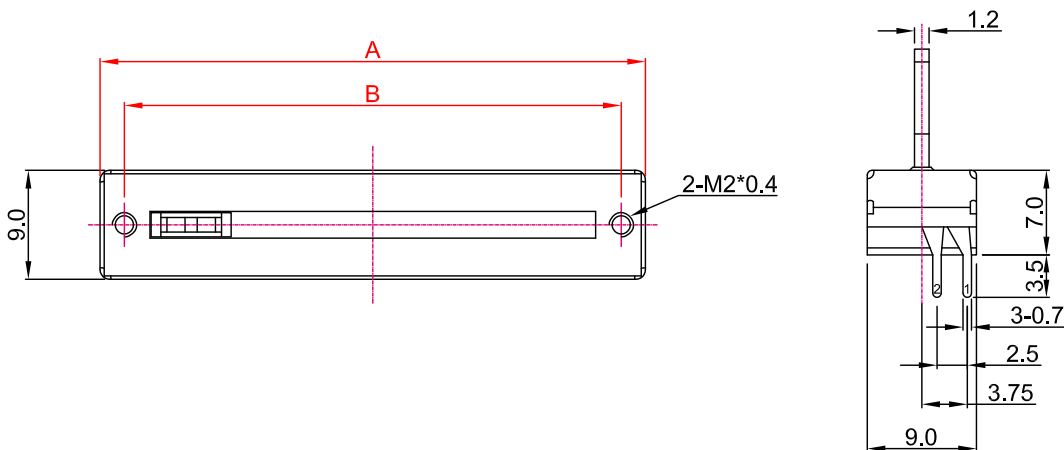
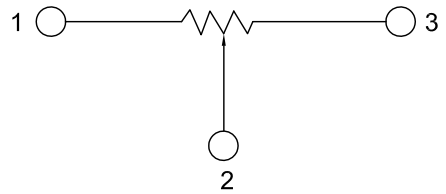


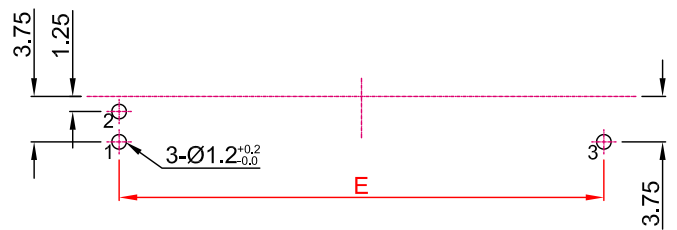
外形图 Mechanical Dimensions



接线图
Circuit explanation






安装孔位图
P.C.B. mounting hole detail



	MODEL NO.	T	A	B	E
<input type="checkbox"/>	C2044N	20	35	31	30
<input type="checkbox"/>	C2544N	25	40	36	35
<input type="checkbox"/>	C3044N	30	45	41	40
<input type="checkbox"/>	C4544N	45	60	56	55
<input type="checkbox"/>	C6044N	60	75	71	70

<input type="checkbox"/>			PRODUCT NAME		Slide Potentiometer	
<input type="checkbox"/>			MODEL NAME		C <input type="checkbox"/> <input type="checkbox"/> 44N-MA1-value	
NO	DATE	DESCRIPTION		APPROVED BY	CHECKED BY	DRAWN BY
		DIMENSION	TOLERANCE	SCALE		
		$l \leq 10$	± 0.2	UNIT		
		$10 < l \leq 30$	± 0.5	VER.	A0	
		$30 < l \leq 100$	± 1.0	DATE	2018/4/28	
		All Angles	$\pm 5^\circ$			
				R & D 2018/4/28 Eva	R & D 2018/4/28 Sophie	R & D 2018/4/28 Dick

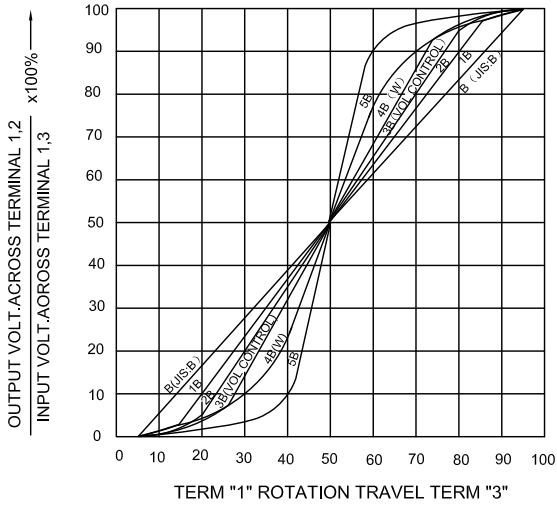
直滑式 Rotary Potentiometers series Specifications

1.電氣性能 (Electrical Characteristics)					
1.1	全阻抗值 (Total Resistance)		1KΩ ~ 2MΩ		
1.2	全阻抗值允许偏差 (Total Resistance Tolerance)		±20% (More than 1 M Ω ±30%)		
1.3	電阻隨溫度變化特性 (Resistance of temperature change character)		20°C-75°C:ΔR/R≤±5%, -25°C-20°C:ΔR/R≤±4.5%		
1.4	阻值變化特性 (Resistance Taper)		A, B, C, W		
1.5	零位阻值 (Residual Resistance)		R≥250KΩ / 0.1 % max. of total Value 250KΩ>R>10KΩ / 20Ω max. 10KΩ≥R / 10Ω max.		
1.6	額定功率 (Rated Power)		Linear Taper B: 0.1W Other Taper:0.05W		
1.7	最高使用電壓 (Max.Operating Voltage)		50V AC		
1.8	動雜音 (Rotational Noise)		Less Than 100mV		
1.9	絕緣阻抗 (Insulation Resistance)		More than 100MΩ at DC 250V		
1.10	耐電壓 (Withstand Voltage)		For 1 minute at: AC 300V		
1.11	开关額定功率(Switch Rated Power)		-----		
1.12	同步誤差 (Gang Error)		-----		
2.機械性能 (Mechanical Characteristics)					
2.1	滑动行程 (Slide travel)		T=(15,20,30,45,60)±1.0mm		
2.2	滑动力矩 (Operating force)		10~200gf.cm		
2.3	柄的拉、押強度 (Pull-Push Strength)		Pull 3Kgf.cm / Push 5 Kgf.cm		
2.4	滑动止檔強度 (Rotational Stop-End Torque)		5 kgf.cm Min		
2.5	推柄摆动度 (Lever wobble)		2xL/25mm Max. (L=Lever length)		
2.6	旋轉定位數目 (Number of Detents(click))		detent: 0 ; 1 centre Click		
2.7	焊錫耐熱性 (Resistance To Soldering Heat)		260±5°C and less than 3 seconds		
3.耐久性能 (Durability)					
3.1	回轉壽命 (Rotation Life)		10,000 Cycles min.		
3.2	工作溫度 (Operating temperature)		-10°C ~ +70°C		
4.1	外形尺寸圖/曲線特性圖 (Shape size drawing/curve characteristic drawing)		見附頁 Please refer the drawing		
批 准			審 核		
			設 計		

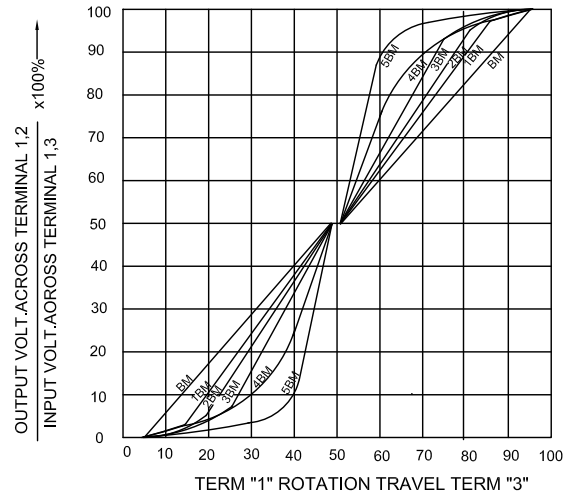
RESISTANCE TAPER



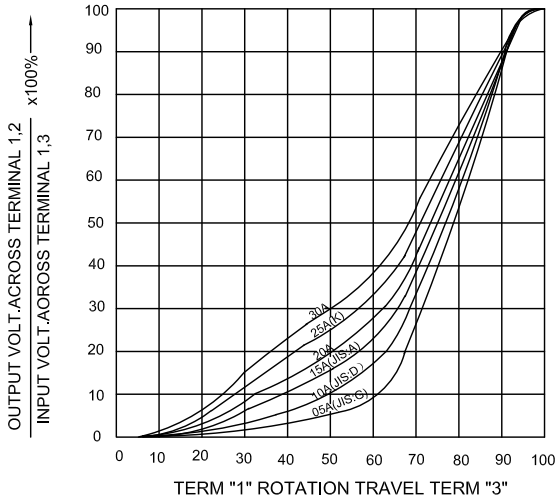
TAPER B SERIES



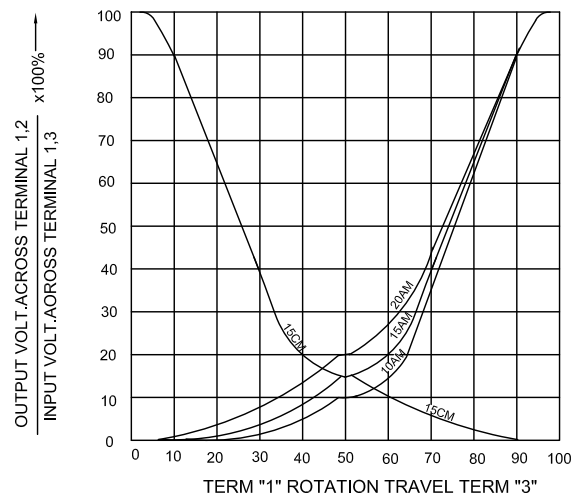
TAPER B WITH 50% TAP



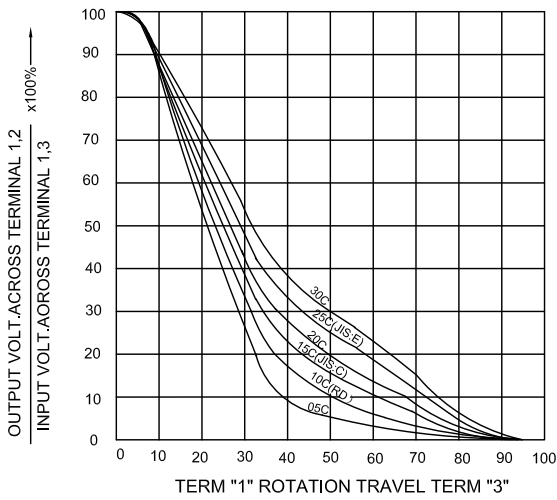
TAPER A SERIES



TAPER A & C WITH 50% TAP



TAPER C SERIES



TAPER M & N SERIES

