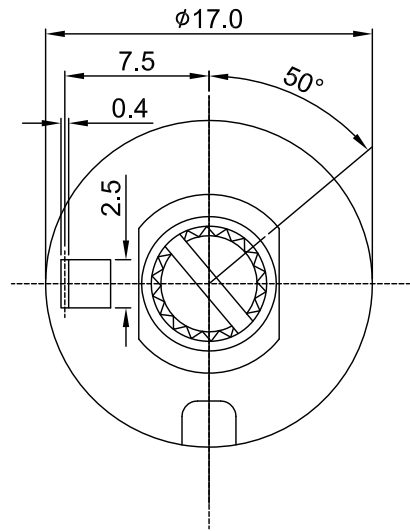
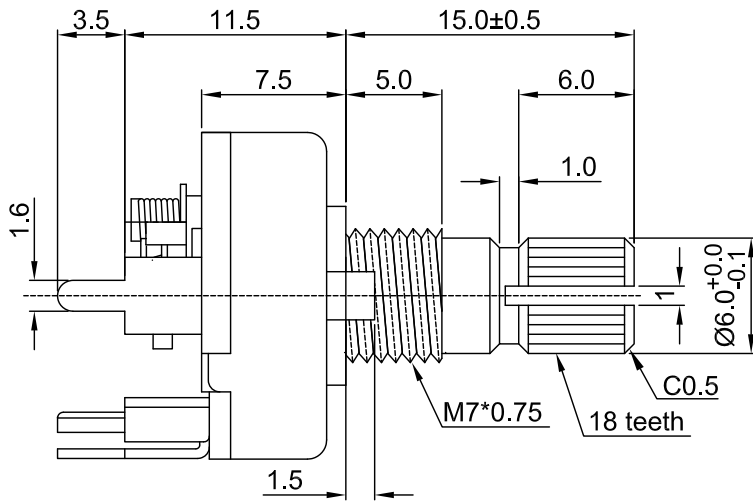
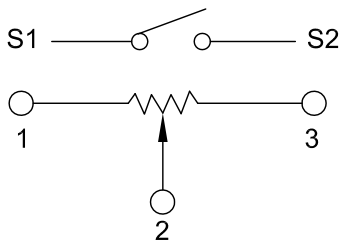


外形图 Mechanical Dimensions

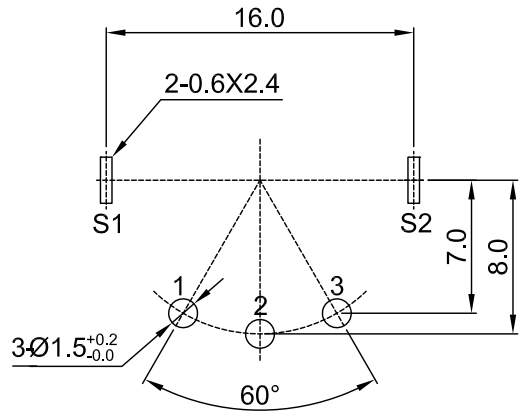


Shaft shown in full C.C.W. position

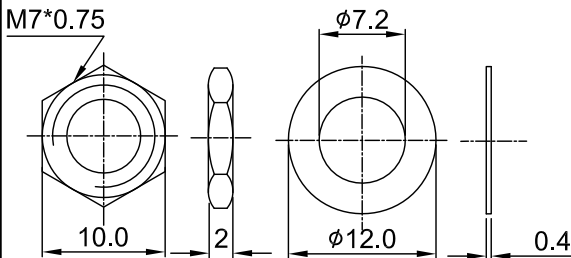
接线图 Circuit explanation



安装孔位置图 P.C.B. mounting hole detail



Attached parts: nut & washer



3				PRODUCT NAME	Rotary Potentiometer	
2				MODEL NAME	R171NS-2D1-Value	
1	NO	DATE	DESCRIPTION	APPROVED BY	CHECKED BY	DRAWN BY
				R & D 2015/8/24 Eva	R & D 2015/8/24 sophie	R & D 2015/8/24 Ball
	DIMENSION	TOLERANCE	SCALE			
	∫ ≤ 10	± 0.2	UNIT	mm		
	10 < ∫ ≤ 30	± 0.5	VER.	A0		
	30 < ∫ ≤ 100	± 1.0	DATE	2015/8/24		
	All Angles	± 5°				