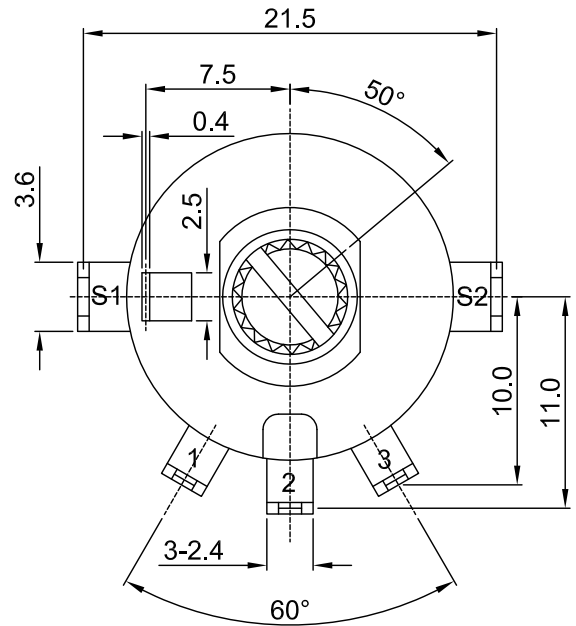
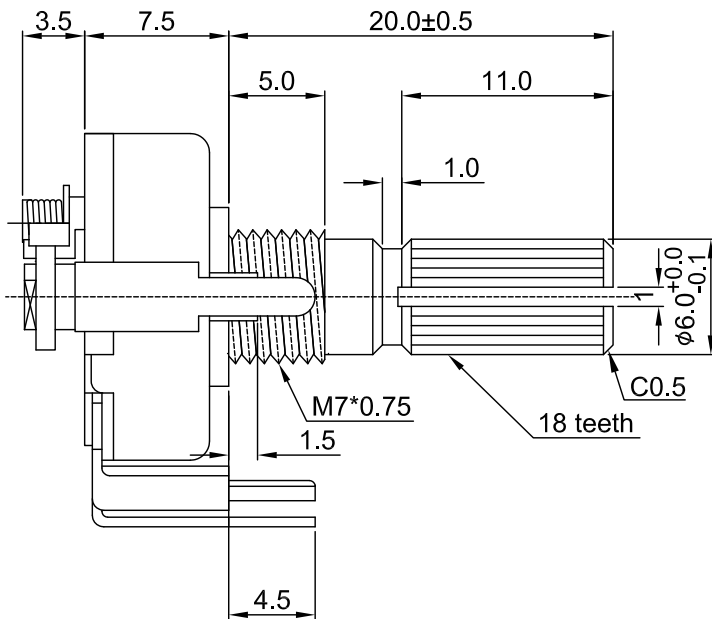
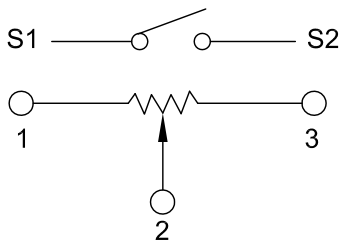


# 外形图 Mechanical Dimensions

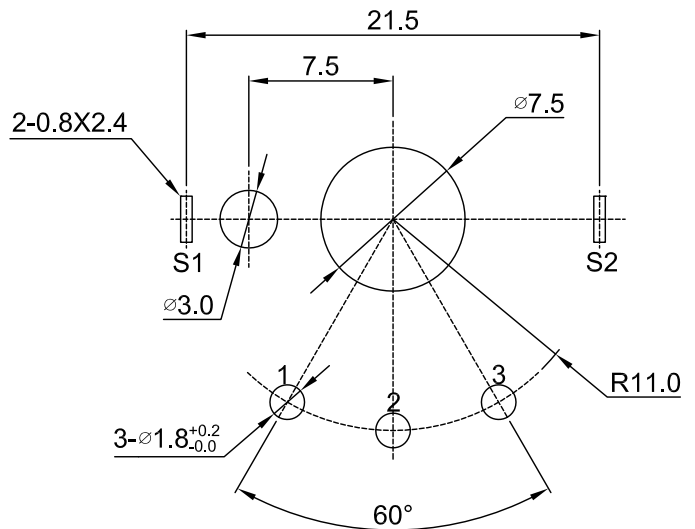


Shaft shown in full  
C.C.W. position

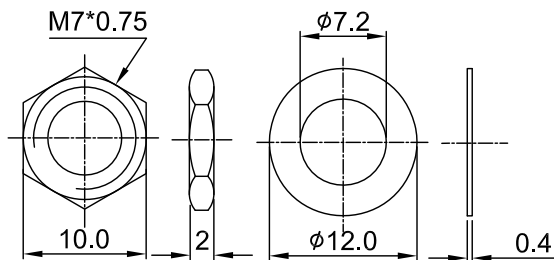
## 接线图 Circuit explanation



安装孔位置图  
P.C.B. mounting hole detail






Attached parts: nut & washer



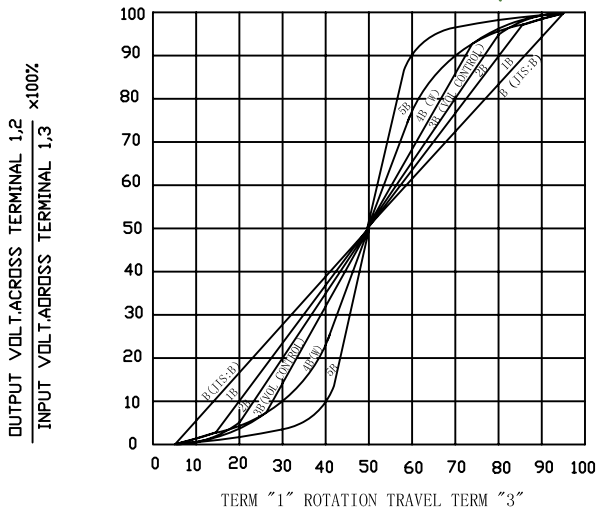
3				PRODUCT NAME	Rotary Potentiometer	
2				MODEL NAME	R171NS-3C1-Value	
1				APPROVED BY	CHECKED BY	DRAWN BY
NO	DATE	DESCRIPTION				
	DIMENSION	TOLERANCE	SCALE			
	$l \leq 10$	$\pm 0.2$	UNIT	mm		
	$10 < l \leq 30$	$\pm 0.5$	VER.	A0		
	$30 < l \leq 100$	$\pm 1.0$	DATE	2015-8-24		
	All Angles	$\pm 5^\circ$				

# 17 mm Rotary Potentiometers series Specifications

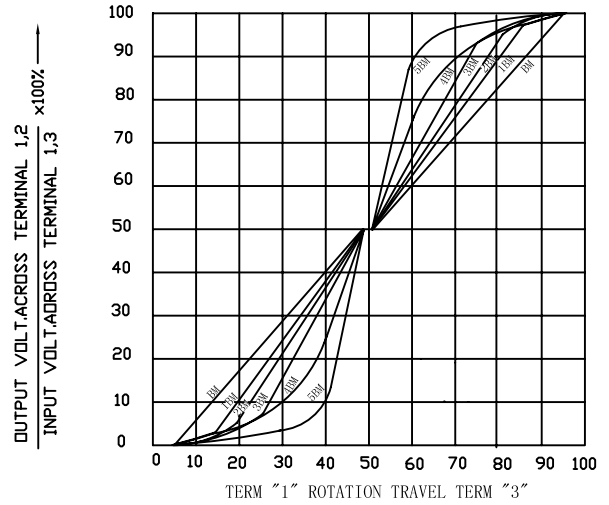
1.電氣性能 (Electrical Characteristics)					
1.1	全阻抗值 (Total Resistance)		5K $\Omega$		
1.2	全阻抗值允许偏差 (Total Resistance Tolerance)		$\pm 20\%$ ( More than 1 M $\Omega$ $\pm 30\%$ )		
1.3	電阻隨溫度變化特性 Resistance of temperature change character)		20 $^{\circ}$ C -75 $^{\circ}$ C : $\Delta R/R \leq \pm 5\%$ , -25 $^{\circ}$ C -20 $^{\circ}$ C : $\Delta R/R \leq \pm 4.5\%$		
1.4	阻值變化特性 (Resistance Taper)		B		
1.5	零位阻值 (Residual Resistance)		R $\geq$ 250K $\Omega$ / 0.1 % max. of total Value 250K $\Omega$ >R>10K $\Omega$ / 20 $\Omega$ max. 10K $\Omega$ >R / 10 $\Omega$ max.		
1.6	額定功率 (Rated Power)		Linear Taper B: 0.1W Other Taper:0.05W		
1.7	最高使用電壓 (Max.Operating Voltage)		200V AC		
1.8	動雜音 (Rotational Noise)		Less Than 100mV		
1.9	絕緣阻抗 (Insulation Resistance)		More than 50M $\Omega$ at DC 500V		
1.10	耐電壓 (Withstand Voltage)		For 1 minute at: AC 500V		
1.11	开关額定功率(Switch Rated Power)		1.0A at AC/DC 12V		
1.12	同步誤差 (Gang Error)		-----		
2.機械性能 (Mechanical Characteristics)					
2.1	全回轉角度 (Rotation Angle)		260 $^{\circ}$ $\pm$ 10 $^{\circ}$		
2.2	旋轉力矩 (Rotation Torque)		20~200gf.cm		
2.3	軸的拉、押強度 (Pull-Push Strength)		5 Kgf.cm		
2.4	轉動止檔強度 (Rotational Stop-End Torque)		3 kgf.cm Min		
2.5	开关角度(Switch Working Angel)		40 $^{\circ}$ $\pm$ 5 $^{\circ}$		
2.6	开关力矩(Switch Working Torque)		150~450gf.cm		
2.7	旋轉定位數目 (Number of Detents(click))		no detent		
2.8	焊錫耐熱性 (Resistance To Soldering Heat)		<u>260<math>\pm</math>5<math>^{\circ}</math>C</u> and less than <u>3</u> seconds		
3.耐久性能 (Durability)					
3.1	回轉壽命 (Rotation Life)		10,000 Cycles min.		
3.2	工作溫度 (Operating temperature)		-10 $^{\circ}$ C ~+70 $^{\circ}$ C		
4.1	外形尺寸圖/曲線特性圖 (Shape size drawing/curve characteristic drawing)		見附頁 Please refer the drawing		
批 准			審 核		
			設 計		

# RESISTANCE TAPER

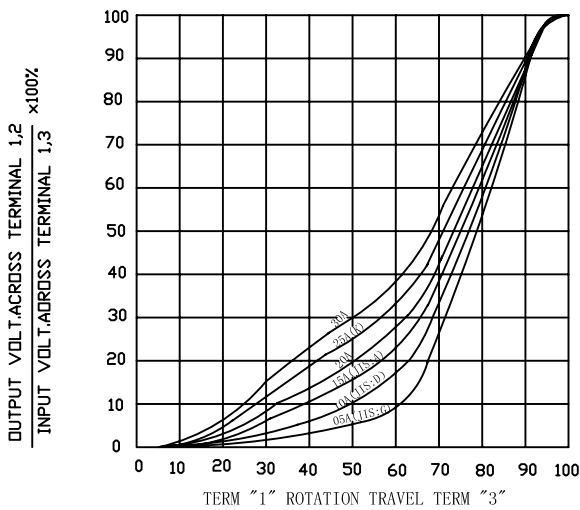
TAPER B SERIES



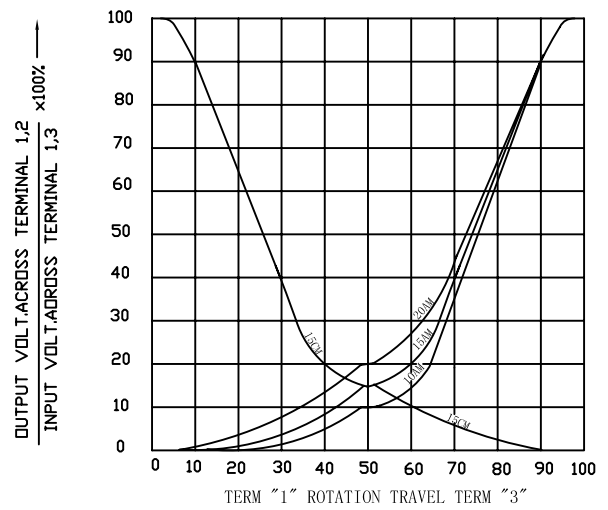
TAPER B WITH 50% TAP



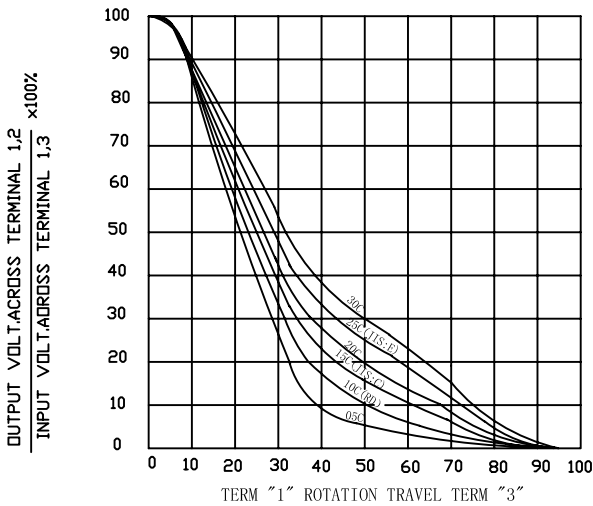
TAPER A SERIES



TAPER A & C WITH 50% TAP



TAPER C SERIES



TAPER M & N SERIES

