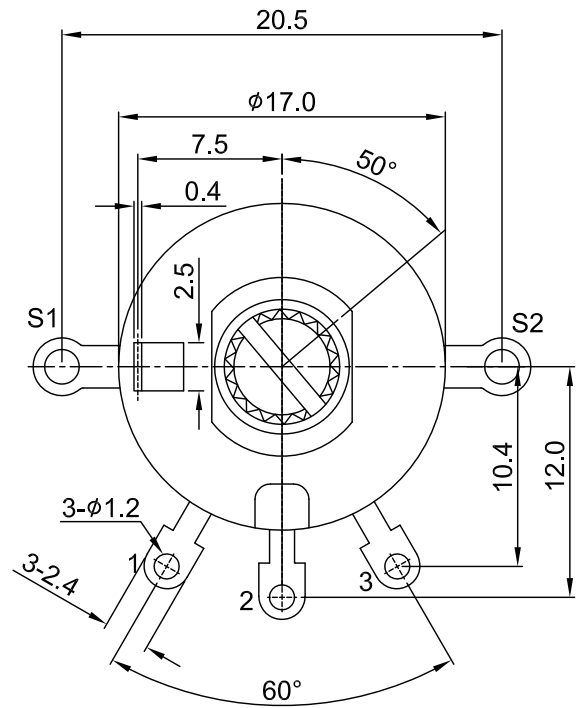
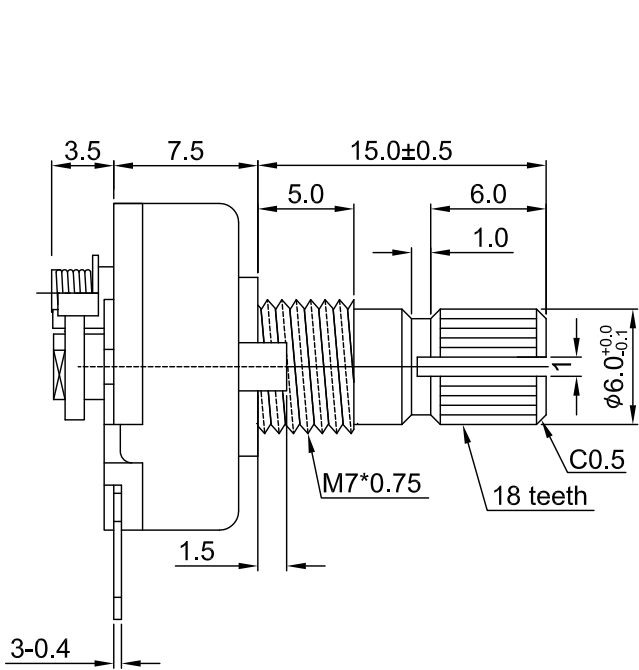
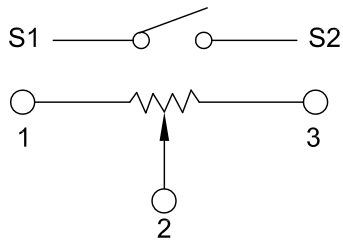


外形图 Mechanical Dimensions

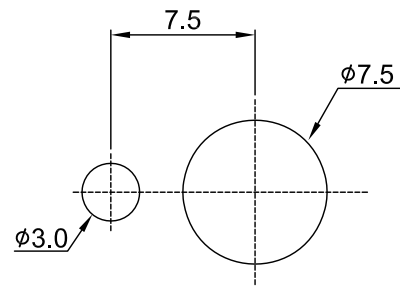


Shaft shown in full
C.C.W. position

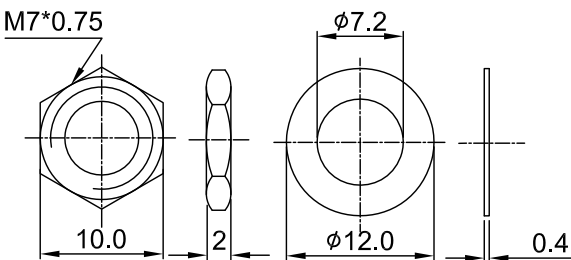
接线图 Circuit explanation



安装孔位置图
P.C.B. mounting hole detail



Attached parts: nut & washer



3			PRODUCT NAME	Rotary Potentiometer			
2			MODEL NAME	R171NS-2A1-Value			
1			APPROVED BY	CHECKED BY	DRAWN BY		
NO	DATE	DESCRIPTION	Eva	sophie	Ball		
DIMENSION	TOLERANCE	SCALE	2015/8/24	2015/8/24	2015/8/24		
$\int \leq 10$	± 0.2	UNIT					mm
$10 < \int \leq 30$	± 0.5	VER.					A0
$30 < \int \leq 100$	± 1.0	DATE					2015/8/24
All Angles	$\pm 5^\circ$						