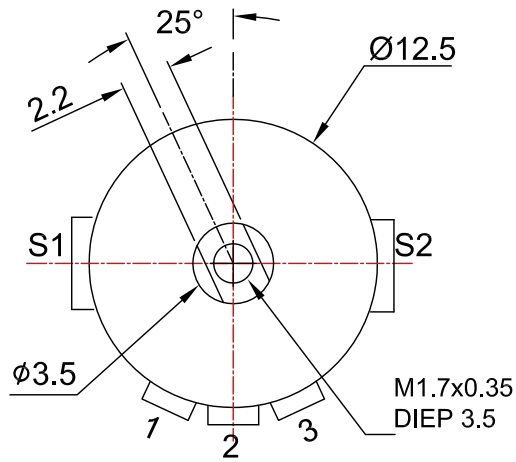
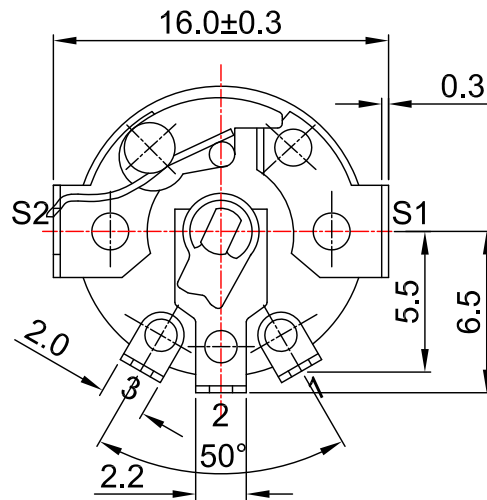


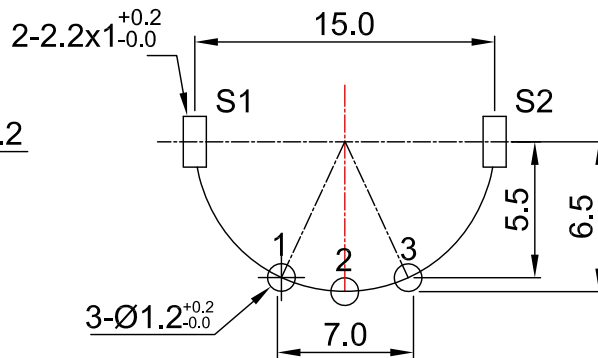
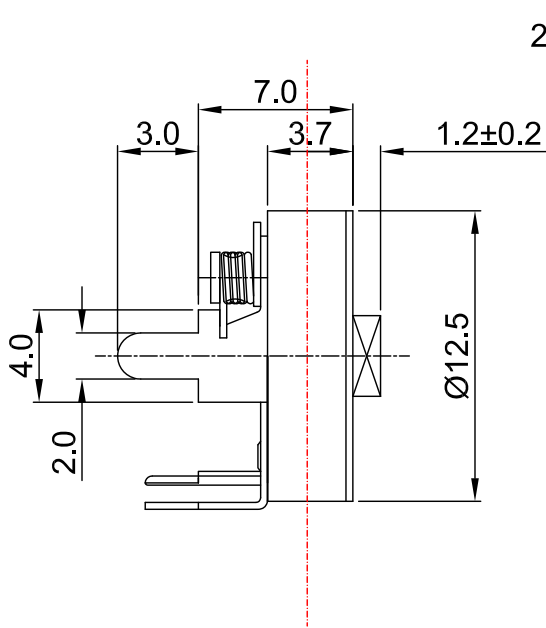
# 外形图 Mechanical Dimensions



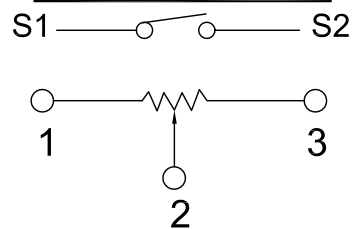
Shaft shown in full C.C.W. position



安装孔位置图  
P.C.B. mounting hole detail



接线图  
Circuit explanation



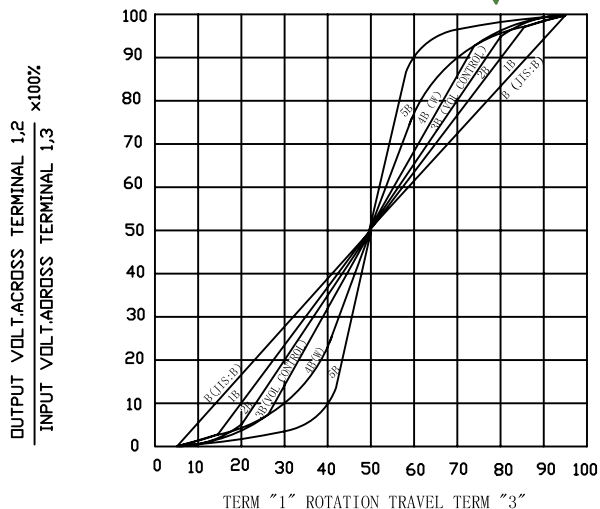
|    |      |                      |               |              |                      |          |
|----|------|----------------------|---------------|--------------|----------------------|----------|
| 3  |      |                      |               | PRODUCT NAME | Rotary Potentiometer |          |
| 2  |      |                      |               | MODEL NAME   | R127NS-1.2D2-Value   |          |
| 1  |      |                      |               | APPROVED BY  | CHECKED BY           | DRAWN BY |
| NO | DATE | DESCRIPTION          |               |              |                      |          |
|    |      | DIMENSION            | TOLERANCE     | SCALE        |                      |          |
|    |      | $\int \leq 10$       | $\pm 0.2$     | UNIT         | mm                   |          |
|    |      | $10 < \int \leq 30$  | $\pm 0.5$     | VER.         | A0                   |          |
|    |      | $30 < \int \leq 100$ | $\pm 1.0$     | DATE         | 2015/5/26            |          |
|    |      | All Angles           | $\pm 5^\circ$ |              |                      |          |

# 12 mm Rotary Series Potentiometers with SW Specifications

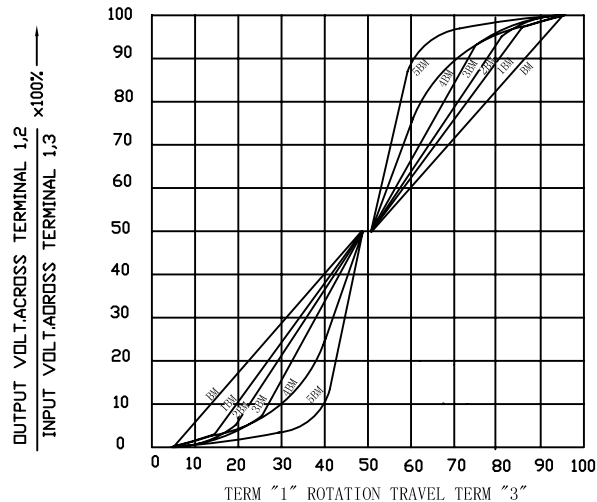
| 1. 電氣性能 (Electrical Characteristics) |   |        |   |        |   |
|--------------------------------------|---|--------|---|--------|---|
| 1.1                                  | 全阻抗值 (Total Resistance)   |        | 1KΩ ~ 2MΩ   |        |   |
| 1.2                                  | 全阻抗值允許偏差 (Total Resistance Tolerance)   |        | ±20% ( More than 1 M Ω ±30%)  |        |   |
| 1.3                                  | 電阻隨溫度變化特性<br>Resistance of temperature change character)                            |        | 20℃-75℃:ΔR/R≤±5%,<br>-25℃-20℃:ΔR/R≤±4.5%  |        |   |
| 1.4                                  | 阻值變化特性 (Resistance Taper)   |        | A, B, C, W  |        |   |
| 1.5                                  | 零位阻值 (Residual Resistance)  |        | R>250KΩ / 0.1 % max. of total Value<br>250KΩ>R>10KΩ / 20Ω max.<br>10KΩ>R / 10Ω max. |        |   |
| 1.6                                  | 額定功率 (Rated Power)  |        | Linear Taper B: 0.02W Other Taper:0.01W   |        |   |
| 1.7                                  | 最高使用電壓 (Max.Operating Voltage)  |        | 150V AC   |        |   |
| 1.8                                  | 動雜音 (Rotational Noise)  |        | Less Than 100mV   |        |   |
| 1.9                                  | 絕緣阻抗 (Insulation Resistance)  |        | More than 50MΩ at DC 500V   |        |   |
| 1.10                                 | 耐電壓 (Withstand Voltage)   |        | For 1 minute at: AC 500V  |        |   |
| 1.11                                 | 開關額定功率(Switch Rated Power)  |        | 0.5A at AC/DC 12V   |        |   |
| 1.12                                 | 同步誤差 (Gang Error)   |        | -----   |        |   |
| 2. 機械性能 (Mechanical Characteristics) |   |        |   |        |   |
| 2.1                                  | 全回轉角度 (Rotation Angle)  |        | 230°±10°  |        |   |
| 2.2                                  | 旋轉力矩 (Rotation Torque)  |        | 20~100gf.cm   |        |   |
| 2.3                                  | 軸的拉、押強度 (Pull-Push Strength)  |        | 1 Kgf.cm  |        |   |
| 2.4                                  | 轉動止檔強度 (Rotational Stop-End Torque)   |        | 2 kgf.cm Min  |        |   |
| 2.5                                  | 開關角度(Switch Working Angel)  |        | 35°±10°   |        |   |
| 2.6                                  | 開關力矩(Switch Working Torque)   |        | 50~350gf.cm   |        |   |
| 2.7                                  | 旋轉定位數目 (Number of Detents(click))   |        | no detent   |        |   |
| 2.8                                  | 焊錫耐熱性 (Resistance To Soldering Heat)  |        | 260±5℃ and less than 3 seconds  |        |   |
| 3. 耐久性能 (Durability)                 |   |        |   |        |   |
| 3.1                                  | 回轉壽命 (Rotation Life)  |        | 10,000 Cycles min.  |        |   |
| 3.2                                  | 工作溫度 (Operating temperature)  |        | -10℃~+70℃   |        |   |
| 4.1                                  | 外形尺寸圖/曲線特性圖<br>(Shape size drawing/curve characteristic drawing)                    |        | 見附頁<br>Please refer the drawing   |        |   |
| 批<br>准                               |  | 審<br>核 |  | 設<br>計 |  |

# RESISTANCE TAPER

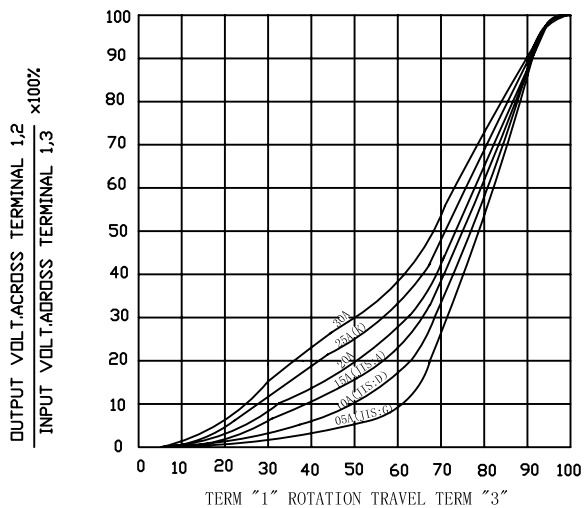
TAPER B SERIES



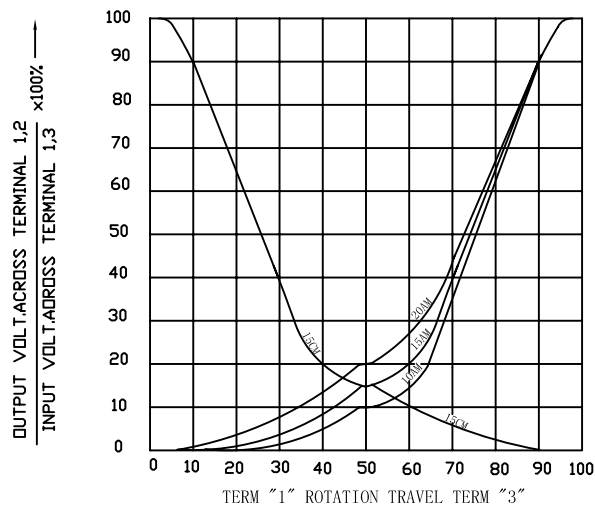
TAPER B WITH 50% TAP



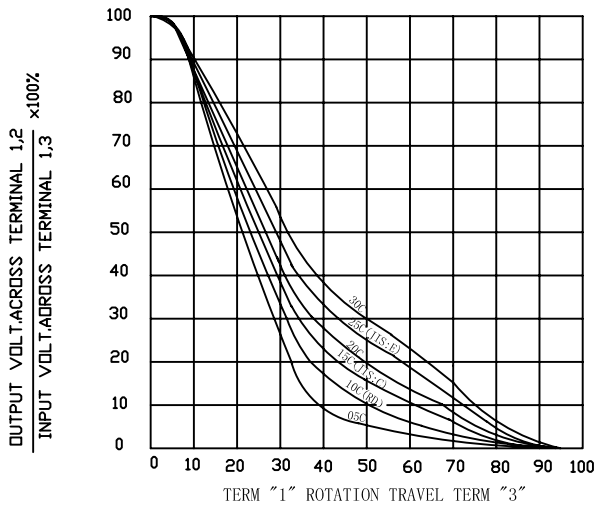
TAPER A SERIES



TAPER A & C WITH 50% TAP



TAPER C SERIES



TAPER M & N SERIES

